

AC geared motors
6 to 90 W

**SPG AC Geared
motors**





Product portfolio

**Drive
components
are our world.**

CONTENT

Introduction	6
Overview	8
System configuration	10

Overview

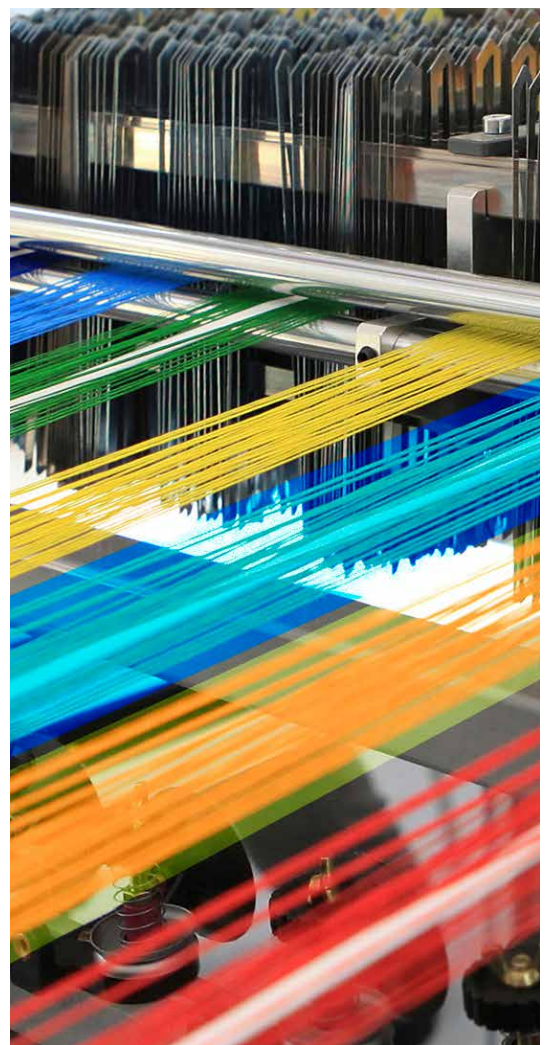
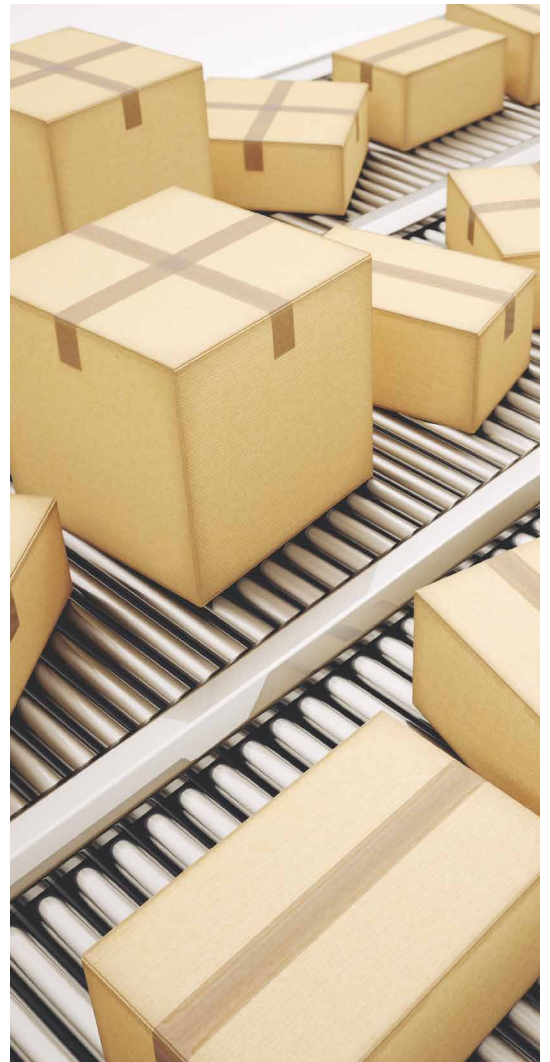
3-phase geared motors 400 V	11
3-phase geared motors 230 V	13
1-phase geared motors 230 V	15
1-phase geared brake motors 230 V	18
3-phase geared brake motors 230 V	21
Motor data	23
Motor dimensions	26
Gearbox data	29
Gearbox dimensions	32

Type code

Motor and gearbox	34
Geared motor module	35

Accessories

Feet options	36
Couplings	37
Belts	38
Locking assemblies	39



The right solution for every application. Whether fast and precise or robust and resilient or flexible and universal.

A photograph of a factory production line for plastic bottles. The bottles are arranged in neat rows on a conveyor belt, moving from the foreground towards the background. Each bottle has a clear plastic body and a bright blue screw-on cap. The background is slightly blurred, emphasizing the repetitive pattern of the bottles in the foreground.

Product portfolio

**Just the right
selection for
your drive train.**

We help you to build your machine – with our competence in solutions, our knowledge of the industry and our comprehensive product portfolio.

We will work with you to select exactly the right components to make sure that your machine functions efficiently, safely and intelligently in the production process. In this way, we guarantee that your drive train is optimally connected.

And we also offer you individual Service support, with maintenance services individually matched to your specific requirements. It's great when everything is so easy.

Electromagnetically actuated clutches and brakes



Shaft couplings



Linear Motion



Belt drives



AC geared motors



Locking assemblies



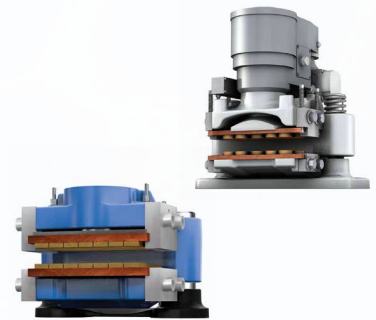
Torque limiters



Universal joints



Hydraulic and electromechanical brakes



Hydraulic components



Cooling systems



SPG AC geared motors

6 to 90 W

Motor design

The motors are AC motors for mains operation. All of the motors are 4-pole with a speed of 1500 rpm at 50 Hz, insulation class B and fitted with thermal protection (impedance current limitation at 6 W and thermal switch from 15 W) The models from 6 to 40 W are self-cooling. The geared motors with 60 and 90 W are cooled by an impellor.

Fields of application

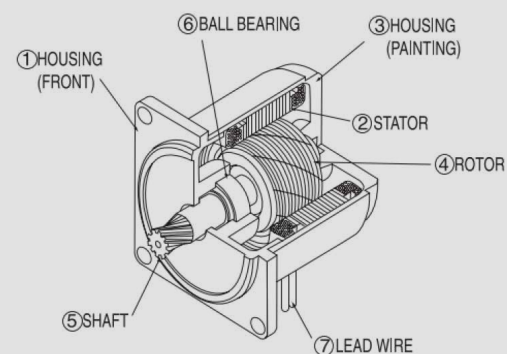
- Conveying belts
- Food processing machines
- Packaging machines
- Pumps
- Labelling machines
- Testing equipment

Gearbox design

The matching helical gearboxes are characterised by quality, durability (lubricated for life) and low-noise operation. Gearbox reductions from 3:1 to 200:1 are available. We also offer intermediate gearboxes with $i=10$ to realise even higher ratios. If the intermediate gearboxes are used, a ratio of 2000:1 can thus be realised.

THE BENEFITS AT A GLANCE

- Compact design and high power
- Low-noise operation
- Gearboxes are lubricated for life and guarantee freedom from maintenance and a long service life
- CE/UL/cUL/CCC certified
- Power range from 6 to 90 W and torque up to 29.4 Nm
- Speed range from 500 rpm to 0.7 rpm
- IP 65 protection on request



Load speed

The actual output speed under load is typically 10–20% lower than the nominal speed. Motor speed – torque characteristics provide information on the speed/torque behaviour and are available on request. Nominal output speeds are based on the motor’s nominal speed of 1,500 rpm




Brake motors

Brake motors have a built-in electromagnetically actuated spring-applied brake. This reduces the overrun time and creates a static braking torque. The run-on is between 2–4 revolutions. The brake is suitable for up to 6 switching operations a minute.

Motor power [W]	Braking torque [Ncm]
6	0.5
15	1.0
25	2.0
40	4.0
60	5.0
90	5.0






SPG SG Series Motors at a glance

	Geared motors, 3-phase Variable speed drive	Geared motors, 1-phase fixed speed	Geared brake motors 1-phase/3-phase
			
Supply voltage	230 V and 400 V	230 V	230 V 400 V on request
Output	25 to 90 W	6 to 90 W	6 to 90 W
Size	80 mm to 90 mm	60 mm to 90 mm	60 mm to 90 mm
Operating mode	S1 continuous operation	S1 continuous operation	6 and 15 W as well as 25 – 90 W/1-phase S2 intermittent operation 30 min 25 – 90 W/3-phase S1 continuous operation
Further information	IP 54 protection 3-phase motors provide a higher torque than single phase motors. The 400 V types are designed for direct connection to the 3-phase mains and are not suitable for use with an inverter.	These single-phase geared motors can be supplied with 1-phase 230V at 50 Hz for applications with a fixed speed. The geared motors are compact, quiet	Spring-applied brake as holding brake Built-in rectifier (supply voltage = motor voltage) The brake is released automatically when the motor is switched on, there is no friction. If the motor is switched off, the holding brake is once again applied. The overrun is approx. 2-4 revolutions, the brake is designed for up to 6 braking cycles a minute.

SPG S Series

Gearbox at a glance

	Gearbox design ... A or B	Gearbox design ... C or CS	Gearbox design ... D
			
Output	6 to 40 W	60 to 90 W	60 to 90 W
Gear reduction	3:1 - 180:1	3:1 - 200:1	50:1 - 200:1
Max. torque	up to 9,8 Nm	up to 19.6 Nm	up to 29,4 Nm
Flange mounting	Square flange with stud bolt	Square flange with stud bolt (C) Rectangular flange with lateral fastening (CS)	Square flange with stud bolt (D)
Further information			Reinforced gearboxes (HT gearboxes) are used for higher ratios.

Load speed

Intermediate gearboxes can be fitted for ratios > 180 or > 200. If an intermediate gearbox is used, pay attention to the maximum torque of the upstream gearbox.

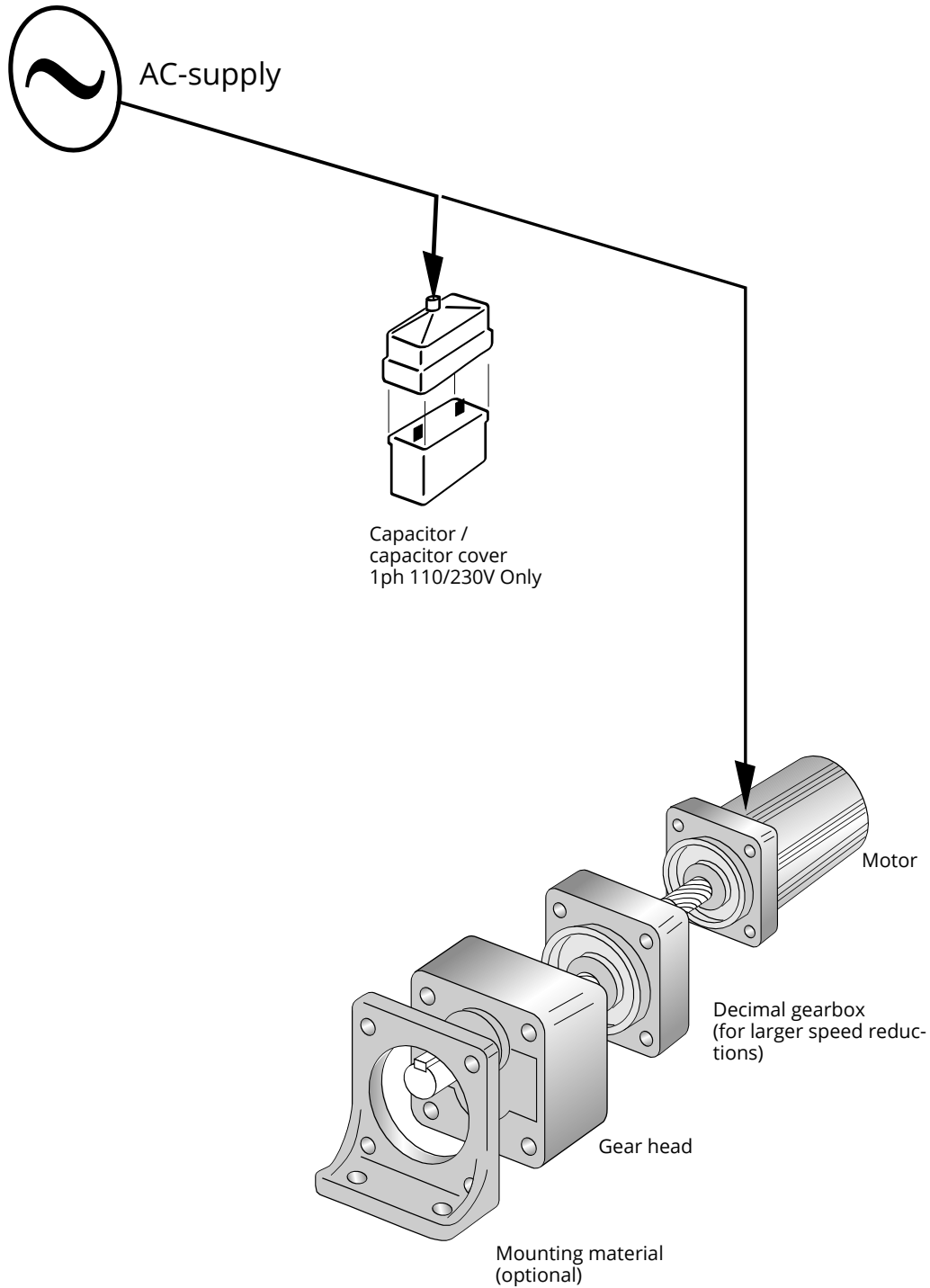
Feet options

Optional side fixing feet are available for the square gearboxes



SPG

System configuration



SPG

3-phase geared motors 400 V | 25 and 40 W

TECHNICAL FEATURES

- 3 x 400 V ± 10 % / 50 Hz
- S1 continuous operation
- IP 54 protection
- CE/UL/cUL/CCC approval
- Overtemperature protector switch as NC contact

Geared motors					Type designation			Geared motor	Weight	Total length	Output shaft Ø	
Output	Output speed without load	Rated output speed	Rated output torque	Ratio**	Gearbox	Intermediate gearbox	Motor					
P _n	n ₂	n _{2N}	M ₂	i _{ges}	Type-no.	Type-no.	Type-no.	Order-no.	kg	mm	mm	
[Watt]	[1/min]	[1/min]	[Nm]									
25	500	442	0.4	3	S8KA3B1			SPG SG 025 IGS 500.0 AT 1	1.8	149	10	
	300	266	0.7	5	S8KA5B1			SPG SG 025 IGS 300.0 AT 1	1.8	149	10	
	200	177	1.1	7.5	S8KA7.5B1			SPG SG 025 IGS 200.0 AT 1	1.8	149	10	
	150	133	1.5	10	S8KA10B1			SPG SG 025 IGS 150.0 AT 1	1.8	149	10	
	100	88	2.2	15	S8KA15B1			SPG SG 025 IGS 100.0 AT 1	1.8	149	10	
	75	66	2.9	20	S8KA20B1			SPG SG 025 IGS 075.0 AT 1	1.8	159,5	10	
	60	53	3.6	25	S8KA25B1			SPG SG 025 IGS 060.0 AT 1	1.8	159,5	10	
	50	45	4.1	30	S8KA30B1			SPG SG 025 IGS 050.0 AT 1	1.8	159,5	10	
	30	27	6.8	50	S8KA50B1			SPG SG 025 IGS 030.0 AT 1	1.8	159,5	10	
	20	18	7.8	75	S8KA75B1*			SPG SG 025 IGS 020.0 AT 1	1.8	159,5	10	
	15	13	7.8	100	S8KA100B1*			SPG SG 025 IGS 015.0 AT 1	1.8	159,5	10	
	12.5	11	7.8	120	S8KA120B1*			SPG SG 025 IGS 012.5 AT 1	1.8	159,5	10	
	10	8.8	7.8	150	S8KA150B1*			SPG SG 025 IGS 010.0 AT 1	1.8	159,5	10	
	8.3	7.4	7.8	180	S8KA180B1*			SPG SG 025 IGS 008.3 AT 1	1.8	159,5	10	
	7.5	6.6	7.8	200	S8KA20B1*	S8GX 10B			SPG SG 025 IGS 007.5 AT 1	2.2	191,5	10
	6.0	5.3	7.8	250	S8KA25B1*	S8GX 10B			SPG SG 025 IGS 006.0 AT 1	2.2	191,5	10
	5.0	4.4	7.8	300	S8KA30B1*	S8GX 10B			SPG SG 025 IGS 005.0 AT 1	2.2	191,5	10
	3.0	2.7	7.8	500	S8KA50B1*	S8GX 10B			SPG SG 025 IGS 003.0 AT 1	2.2	191,5	10
	2.0	1.8	7.8	750	S8KA75B1*	S8GX 10B			SPG SG 025 IGS 002.0 AT 1	2.2	191,5	10
	1.5	1.3	7.8	1000	S8KA100B1*	S8GX 10B			SPG SG 025 IGS 001.5 AT 1	2.2	191,5	10
1.3	1.1	7.8	1200	S8KA120B1*	S8GX 10B			SPG SG 025 IGS 001.3 AT 1	2.2	191,5	10	
1.0	0.9	7.8	1500	S8KA150B1*	S8GX 10B			SPG SG 025 IGS 001.0 AT 1	2.2	191,5	10	
0.8	0.7	7.8	1800	S8KA180B1*	S8GX 10B			SPG SG 025 IGS 000.8 AT 1	2.2	191,5	10	
40	500	450	0.8	3	S9KB3B1H			SPG SG 040 IGS 500.0 BT 1	3.4	179	12	
	300	270	1.3	5	S9KB5B1H			SPG SG 040 IGS 300.0 BT 1	3.4	179	12	
	200	180	2.0	7.5	S9KB7.5B1H			SPG SG 040 IGS 200.0 BT 1	3.4	179	12	
	150	135	2.7	10	S9KB10B1H			SPG SG 040 IGS 150.0 BT 1	3.4	179	12	
	100	90.0	4.0	15	S9KB15B1H			SPG SG 040 IGS 100.0 BT 1	3.4	179	12	
	75	67.5	4.8	20	S9KB20B1H			SPG SG 040 IGS 075.0 BT 1	3.4	197	12	
	60	54.0	6.0	25	S9KB25B1H			SPG SG 040 IGS 060.0 BT 1	3.4	197	12	
	50	45.0	7.3	30	S9KB30B1H			SPG SG 040 IGS 050.0 BT 1	3.4	197	12	
	30	27.0	9.8	50	S9KB50B1H			SPG SG 040 IGS 030.0 BT 1	3.4	197	12	
	20	18.0	9.8	75	S9KB75B1H*			SPG SG 040 IGS 020.0 BT 1	3.4	197	12	
	15	13.5	9.8	100	S9KB100B1H*			SPG SG 040 IGS 015.0 BT 1	3.4	197	12	
	12.5	11.3	9.8	120	S9KB120B1H*			SPG SG 040 IGS 012.5 BT 1	3.4	197	12	
	10	9.0	9.8	150	S9KB150B1H*			SPG SG 040 IGS 010.0 BT 1	3.4	197	12	
	8.3	7.5	9.8	180	S9KB180B1H*			SPG SG 040 IGS 008.3 BT 1	3.4	234	12	
	7.5	6.8	9.8	200	S9KB20B1H*	S9GX 10BH			SPG SG 040 IGS 007.5 BT 1	4.0	234	12
	6.0	5.4	9.8	250	S9KB25B1H*	S9GX 10BH			SPG SG 040 IGS 006.0 BT 1	4.0	234	12
	5.0	4.5	9.8	300	S9KB30B1H*	S9GX 10BH			SPG SG 040 IGS 005.0 BT 1	4.0	234	12
	3.0	2.7	9.8	500	S9KB50B1H*	S9GX 10BH			SPG SG 040 IGS 003.0 BT 1	4.0	234	12
	2.0	1.8	9.8	750	S9KB75B1H*	S9GX 10BH			SPG SG 040 IGS 002.0 BT 1	4.0	234	12
	1.5	1.4	9.8	1000	S9KB100B1H*	S9GX 10BH			SPG SG 040 IGS 001.5 BT 1	4.0	234	12
1.3	1.1	9.8	1200	S9KB120B1H*	S9GX 10BH			SPG SG 040 IGS 001.3 BT 1	4.0	234	12	
1.0	0.9	9.8	1500	S9KB150B1H*	S9GX 10BH			SPG SG 040 IGS 001.0 BT 1	4.0	234	12	
0.8	0.8	9.8	1800	S9KB180B1H*	S9GX 10BH			SPG SG 040 IGS 000.8 BT 1	4.0	234	12	

* Torque limiter recommended

SPG

3-phase geared motors 400 V | 60 and 90 W

TECHNICAL FEATURES

- 3 x 400 V ± 10 %/50 Hz
- S1 continuous operation
- IP 54 protection
- CE/UL/cUL/CCC approval

- Overtemperature protector switch as NC contact

Gearbox type

- C: 60-90 W square flange
- CS: 60-90 W rectangular flange
- D: 60-90 W square flange, high torque

Geared motors						Type designation									
Output	Output speed without load	Rated output speed	Rated output torque	Nominal torque (HT)	Ratio**	Gearbox	Intermediate gearbox	Motor	Geared motor	Weight	Total length	Weight (HT) High Torque	Total length (HT)	Output shaft Ø	Output shaft Ø (HT)
P _n	n ₂	n _{2N}	M ₂	M ₂	i _{ges}	Type-no.	Type-no.	Type-no.	Order-no.	kg	mm	kg	mm	mm	mm
[Watt]	[1/min]	[1/min]	[Nm]	[Nm]											
60	500	442	1	-	3	S9KC3BH-#			SPG SG 060 IGS 500.0 C#T 1	4.7	226.3	-	-	15	-
	300	265	1.7	-	5	S9KC5BH-#			SPG SG 060 IGS 300.0 C#T 1	4.7	226.3	-	-	15	-
	200	177	2.6	-	7.5	S9KC7.5BH-#			SPG SG 060 IGS 200.0 C#T 1	4.7	226.3	-	-	15	-
	150	132	3.5	-	10	S9KC10BH-#			SPG SG 060 IGS 150.0 C#T 1	4.7	226.3	-	-	15	-
	100	88.3	4.8	-	15	S9KC15BH-#			SPG SG 060 IGS 100.0 C#T 1	4.7	226.3	-	-	15	-
	75	66.3	6.5	-	20	S9KC20BH-#			SPG SG 060 IGS 075.0 C#T 1	4.7	226.3	-	-	15	-
	60	53.0	8.1	-	25	S9KC25BH-#			SPG SG 060 IGS 060.0 C#T 1	4.7	226.3	-	-	15	-
	50	44.2	9.7	-	30	S9KC30BH-#			SPG SG 060 IGS 050.0 C#T 1	4.7	226.3	-	-	15	-
	30	26.5	15.1	16.2	50	S9K*50BH-#			SPG SG 060 IGS 030.0 *#T 1	4.7	226.3	4.9	249.8	15	18
	20	17.7	19.6	21.7	75	S9K*75BH-#*			SPG SG 060 IGS 020.0 *#T 1	4.7	226.3	4.9	249.8	15	18
	15	13.3	19.6	28.9	100	S9K*100BH-#*			SPG SG 060 IGS 015.0 *#T 1	4.7	226.3	4.9	249.8	15	18
	12.5	11.0	19.6	29.4	120	S9K*120BH-#*		SG9I60GSH-TA	SPG SG 060 IGS 012.5 *#T 1	4.7	226.3	4.9	249.8	15	18
	10	8.8	19.6	29.4	150	S9K*150BH-#*			SPG SG 060 IGS 010.0 *#T 1	4.7	226.3	4.9	249.8	15	18
	7.5	6.6	19.6	29.4	180	S9K*200BH-#*			SPG SG 060 IGS 008.3 *#T 1	4.7	226.3	4.9	249.8	15	18
	6.0	5.3	19.6	-	200	S9KC25BH-#*	S9GX 10BH-S		SPG SG 060 IGS 007.5 C#T 1	5.4	266.3	-	-	15	-
	5.0	4.4	19.6	-	250	S9KC30BH-#*	S9GX 10BH-S		SPG SG 060 IGS 006.0 C#T 1	5.4	266.3	-	-	15	-
	3.0	2.7	19.6	29.4	300	S9K*50BH-#*	S9GX 10BH-S		SPG SG 060 IGS 005.0 *#T 1	5.4	266.3	5.6	-	15	-
	2.0	1.8	19.6	29.4	500	S9K*75BH-#*	S9GX 10BH-S		SPG SG 060 IGS 003.0 *#T 1	5.4	266.3	5.6	289.8	15	18
	1.5	1.3	19.6	29.4	750	S9K*100BH-#*	S9GX 10BH-S		SPG SG 060 IGS 002.0 *#T 1	5.4	266.3	5.6	289.8	15	18
	1.3	1.1	19.6	29.4	1000	S9K*120BH-#*	S9GX 10BH-S		SPG SG 060 IGS 001.5 *#T 1	5.4	266.3	5.6	289.8	15	18
1.0	0.9	19.6	29.4	1200	S9K*150BH-#*	S9GX 10BH-S		SPG SG 060 IGS 001.3 *#T 1	5.4	266.3	5.6	289.8	15	18	
0.8	0.7	19.6	29.4	1500	S9K*180BH-#*	S9GX 10BH-S		SPG SG 060 IGS 001.0 *#T 1	5.4	266.3	5.6	289.8	15	18	
0.7	0.7	19.6	29.4	1800	S9K*200BH-#*	S9GX 10BH-S		SPG SG 060 IGS 000.8 *#T 1	5.4	266.3	5.6	289.8	15	18	
90	500	417	1.7	-	3	S9KC3BH-#			SPG SG 090 IGS 006.0 C#T 1	4.7	241.3	-	-	15	-
	300	250	2.9	-	5	S9KC5BH-#			SPG SG 090 IGS 005.0 C#T 1	4.7	241.3	-	-	15	-
	200	167	4.4	-	7.5	S9KC7.5BH-#			SPG SG 090 IGS 003.0 C#T 1	4.7	241.3	-	-	15	-
	150	125	5.9	-	10	S9KC10BH-#			SPG SG 090 IGS 002.0 C#T 1	4.7	241.3	-	-	15	-
	100	83	8.0	-	15	S9KC15BH-#			SPG SG 090 IGS 001.5 C#T 1	4.7	241.3	-	-	15	-
	75	63	10.7	-	20	S9KC20BH-#			SPG SG 090 IGS 001.3 C#T 1	4.7	241.3	-	-	15	-
	60	50	12.1	-	25	S9KC25BH-#			SPG SG 090 IGS 001.0 C#T 1	4.7	241.3	-	-	15	-
	50	42	14.6	-	30	S9KC30BH-#			SPG SG 090 IGS 000.8 C#T 1	4.7	241.3	-	-	15	-
	30	25	19.6	-	50	S9KC50BH-#			SPG SG 090 IGS 000.7 C#T 1	4.7	241.3	-	-	15	-
	20	17	19.6	-	75	S9KC75BH-#*			SPG SG 090 IGS 020.0 C#T 1	4.7	241.3	-	-	15	-
	15	13	19.6	-	100	S9KC100BH-#*			SPG SG 090 IGS 015.0 C#T 1	4.7	241.3	-	-	15	-
	12.5	10	19.6	-	120	S9KC120BH-#*		SG9I90GSH-TA	SPG SG 090 IGS 012.5 C#T 1	4.7	241.3	-	-	15	-
	10	8.3	19.6	-	150	S9KC150BH-#*			SPG SG 090 IGS 010.0 C#T 1	4.7	241.3	-	-	15	-
	7.5	6.3	19.6	-	180	S9KC200BH-#*			SPG SG 090 IGS 007.5 C#T 1	4.7	241.3	-	-	15	-
	6.0	5.0	19.6	-	200	S9KC25BH-#*	S9GX 10BH-S		SPG SG 090 IGS 006.0 C#T 1	5.4	281.3	-	-	15	-
	5.0	4.2	19.6	-	250	S9KC30BH-#*	S9GX 10BH-S		SPG SG 090 IGS 005.0 C#T 1	5.4	281.3	-	-	15	-
	3.0	2.5	19.6	-	300	S9KC50BH-#*	S9GX 10BH-S		SPG SG 090 IGS 003.0 C#T 1	5.4	281.3	-	-	15	-
	2.0	1.7	19.6	-	500	S9KC75BH-#*	S9GX 10BH-S		SPG SG 090 IGS 002.0 C#T 1	5.4	281.3	-	-	15	-
	1.5	1.3	19.6	-	750	S9KC100BH-#*	S9GX 10BH-S		SPG SG 090 IGS 001.5 C#T 1	5.4	281.3	-	-	15	-
	1.3	1.0	19.6	-	1000	S9KC120BH-#*	S9GX 10BH-S		SPG SG 090 IGS 001.3 C#T 1	5.4	281.3	-	-	15	-
1.0	0.8	19.6	-	1200	S9KC150BH-#*	S9GX 10BH-S		SPG SG 090 IGS 001.0 C#T 1	5.4	281.3	-	-	15	-	
0.8	0.7	19.6	-	1500	S9K*180BH-#*	S9GX 10BH-S		SPG SG 090 IGS 000.8 C#T 1	5.4	281.3	-	-	15	-	
0.7	0.6	19.6	-	1800	S9K*200BH-#*	S9GX 10BH-S		SPG SG 090 IGS 000.7 C#T 1	5.4	281.3	-	-	15	-	

* Torque limiter recommended

SPG

3-phase geared motors 230 V | 25 and 40 W

TECHNICAL FEATURES

- 3 x 230 V ± 10 %/50 Hz
- S1 continuous operation
- IP 54 protection
- Overtemperature protector switch as NC contact
- CE/UL/cUL/CCC approval

Geared motors					Type designation			Geared motor	Weight	Total length	Output shaft Ø
Output	Output speed without load	Rated output speed	Rated output torque	Ratio**	Gearbox	Intermediate gearbox	Motor				
P_n	n_2	n_{2N}	M_2	i_{ges}	Type-no.	Type-no.	Type-no.	Order-no.	kg	mm	mm
[Watt]	[1/min]	[1/min]	[Nm]								
25	500	440	0.5	3	S8KA3B1			SPG SG 025 IGT 500.0 AT 1	1.8	149	10
	300	264	0.8	5	S8KA5B1			SPG SG 025 IGT 300.0 AT 1	1.8	149	10
	200	176	1.2	7.5	S8KA7.5B1			SPG SG 025 IGT 200.0 AT 1	1.8	149	10
	150	132	1.5	10	S8KA10B1			SPG SG 025 IGT 150.0 AT 1	1.8	149	10
	100	88	2.3	15	S8KA15B1			SPG SG 025 IGT 100.0 AT 1	1.8	149	10
	75	66	3.1	20	S8KA20B1			SPG SG 025 IGT 075.0 AT 1	1.8	159.5	10
	60	53	3.8	25	S8KA25B1			SPG SG 025 IGT 060.0 AT 1	1.8	159.5	10
	50	44	4.3	30	S8KA30B1			SPG SG 025 IGT 050.0 AT 1	1.8	159.5	10
	30	26	7.1	50	S8KA50B1			SPG SG 025 IGT 030.0 AT 1	1.8	159.5	10
	20	18	7.8	75	S8KA75B1*			SPG SG 025 IGT 020.0 AT 1	1.8	159.5	10
	15	13	7.8	100	S8KA100B1*			SPG SG 025 IGT 015.0 AT 1	1.8	159.5	10
	12.5	11	7.8	120	S8KA120B1*			SPG SG 025 IGT 012.5 AT 1	1.8	159.5	10
	10	8.8	7.8	150	S8KA150B1*			SPG SG 025 IGT 010.0 AT 1	1.8	159.5	10
	8.3	7.3	7.8	180	S8KA180B1*			SPG SG 025 IGT 008.3 AT 1	1.8	159.5	10
	7.5	6.6	7.8	200	S8KA20B1*	S8GX 10B		SPG SG 025 IGT 007.5 AT 1	2.2	191.5	10
	6.0	5.3	7.8	250	S8KA25B1*	S8GX 10B		SPG SG 025 IGT 006.0 AT 1	2.2	191.5	10
	5.0	4.4	7.8	300	S8KA30B1*	S8GX 10B		SPG SG 025 IGT 005.0 AT 1	2.2	191.5	10
	3.0	2.6	7.8	500	S8KA50B1*	S8GX 10B		SPG SG 025 IGT 003.0 AT 1	2.2	191.5	10
	2.0	1.8	7.8	750	S8KA75B1*	S8GX 10B		SPG SG 025 IGT 002.0 AT 1	2.2	191.5	10
	1.5	1.3	7.8	1000	S8KA100B1*	S8GX 10B		SPG SG 025 IGT 001.5 AT 1	2.2	191.5	10
1.3	1.1	7.8	1200	S8KA120B1*	S8GX 10B		SPG SG 025 IGT 001.3 AT 1	2.2	191.5	10	
1.0	0.9	7.8	1500	S8KA150B1*	S8GX 10B		SPG SG 025 IGT 001.0 AT 1	2.2	191.5	10	
0.8	0.7	7.8	1800	S8KA180B1*	S8GX 10B		SPG SG 025 IGT 000.8 AT 1	2.2	191.5	10	
40	500	477	0.8	3	S9KB3B1H			SPG SG 040 IGT 500.0 BT 1	3.4	179	12
	300	277	1.3	5	S9KB5B1H			SPG SG 040 IGT 300.0 BT 1	3.4	179	12
	200	179	2.0	7.5	S9KB7.5B1H			SPG SG 040 IGT 200.0 BT 1	3.4	179	12
	150	134	2.7	10	S9KB10B1H			SPG SG 040 IGT 150.0 BT 1	3.4	179	12
	100	89.3	4.0	15	S9KB15B1H			SPG SG 040 IGT 100.0 BT 1	3.4	179	12
	75	67.0	4.8	20	S9KB20B1H			SPG SG 040 IGT 075.0 BT 1	3.4	197	12
	60	53.6	6.0	25	S9KB25B1H			SPG SG 040 IGT 060.0 BT 1	3.4	197	12
	50	44.7	7.3	30	S9KB30B1H			SPG SG 040 IGT 050.0 BT 1	3.4	197	12
	30	26.8	9.8	50	S9KB50B1H			SPG SG 040 IGT 030.0 BT 1	3.4	197	12
	20	17.9	9.8	75	S9KB75B1H*			SPG SG 040 IGT 020.0 BT 1	3.4	197	12
	15	13.4	9.8	100	S9KB100B1H*			SPG SG 040 IGT 015.0 BT 1	3.4	197	12
	12.5	11.2	9.8	120	S9KB120B1H*			SPG SG 040 IGT 012.5 BT 1	3.4	197	12
	10	8.9	9.8	150	S9KB150B1H*			SPG SG 040 IGT 010.0 BT 1	3.4	197	12
	8.3	7.4	9.8	180	S9KB180B1H*			SPG SG 040 IGT 008.3 BT 1	3.4	197	12
	7.5	6.7	9.8	200	S9KB20B1H*	S9GX 10BH		SPG SG 040 IGT 007.5 BT 1	4.0	234	12
	6.0	5.4	9.8	250	S9KB25B1H*	S9GX 10BH		SPG SG 040 IGT 006.0 BT 1	4.0	234	12
	5.0	4.5	9.8	300	S9KB30B1H*	S9GX 10BH		SPG SG 040 IGT 005.0 BT 1	4.0	234	12
	3.0	2.7	9.8	500	S9KB50B1H*	S9GX 10BH		SPG SG 040 IGT 003.0 BT 1	4.0	234	12
	2.0	1.8	9.8	750	S9KB75B1H*	S9GX 10BH		SPG SG 040 IGT 002.0 BT 1	4.0	234	12
	1.5	1.3	9.8	1000	S9KB100B1H*	S9GX 10BH		SPG SG 040 IGT 001.5 BT 1	4.0	234	12
1.3	1.1	9.8	1200	S9KB120B1H*	S9GX 10BH		SPG SG 040 IGT 001.3 BT 1	4.0	234	12	
1.0	0.9	9.8	1500	S9KB150B1H*	S9GX 10BH		SPG SG 040 IGT 001.0 BT 1	4.0	234	12	
0.8	0.7	9.8	1800	S9KB180B1H*	S9GX 10BH		SPG SG 040 IGT 000.8 BT 1	4.0	234	12	

* Torque limiter recommended

SPG

3-phase geared motors 230 V | 60 and 90 W

TECHNICAL FEATURES

- 3 x 230 V ± 10 %/50 Hz
- S1 continuous operation
- IP 54 protection
- Overtemperature protector switch as NC contact
- CE/UL/cUL/CCC approval

Gearbox type

- C: 60-90 W square flange
- CS: 60-90 W rectangular flange
- D: 60-90 W square flange, high torque

Geared motors						Type designation									
Output	Output speed without load	Rated output speed	Rated output torque	Nominal torque (HT)	Ratio**	Gearbox	Intermediate gearbox	Motor	Geared motor	Weight	Total length	Weight (HT) High Torque	Total length (HT)	Output shaft Ø	Output shaft Ø (HT)
P _n	n ₂	n _{2N}	M ₂	M ₂	i _{ges}	Type-no.	Type-no.	Type-no.	Order-no.	kg	mm	kg	mm	mm	mm
[Watt]	[1/min]	[1/min]	[Nm]	[Nm]											
60	300	442	1.0		3	S9K3BH-#			SPG SG 060 IGT 500.0 C#T 1	4.7	226.3	-	-	15	-
	300	265	1.7	-	5	S9K5BH-#			SPG SG 060 IGT 300.0 C#T 1	4.7	226.3	-	-	15	-
	200	177	2.6	-	7.5	S9K7.5BH-#			SPG SG 060 IGT 200.0 C#T 1	4.7	226.3	-	-	15	-
	150	132	3.5	-	10	S9K10BH-#			SPG SG 060 IGT 150.0 C#T 1	4.7	226.3	-	-	15	-
	100	88.3	4.8	-	15	S9K15BH-#			SPG SG 060 IGT 100.0 C#T 1	4.7	226.3	-	-	15	-
	75	66.3	6.5	-	20	S9K20BH-#			SPG SG 060 IGT 075.0 C#T 1	4.7	226.3	-	-	15	-
	60	53.0	8.1	-	25	S9K25BH-#			SPG SG 060 IGT 060.0 C#T 1	4.7	226.3	-	-	15	-
	50	44.2	9.7	-	30	S9K30BH-#			SPG SG 060 IGT 050.0 C#T 1	4.7	226.3	-	-	15	-
	30	26.5	15.1	16.2	50	S9K*50BH-#			SPG SG 060 IGT 030.0 *#T 1	4.7	226.3	4.9	249.8	15	18
	20	17.7	19.6	21.7	75	S9K*75BH-#*			SPG SG 060 IGT 020.0 *#T 1	4.7	226.3	4.9	249.8	15	18
	15	13.3	19.6	28.9	100	S9K*100BH-#*			SPG SG 060 IGT 015.0 *#T 1	4.7	226.3	4.9	249.8	15	18
	12.5	11.0	19.6	29.4	120	S9K*120BH-#*		SG9I60GTH-TA	SPG SG 060 IGT 012.5 *#T 1	4.7	226.3	4.9	249.8	15	18
	10	8.8	19.6	29.4	150	S9K*150BH-#*			SPG SG 060 IGT 010.0 *#T 1	4.7	226.3	4.9	249.8	15	18
	7.5	6.6	19.6	29.4	180	S9K*200BH-#*			SPG SG 060 IGT 008.3 *#T 1	4.7	226.3	4.9	249.8	15	18
	6.0	5.3	19.6	-	200	S9K25BH-#*	S9GX 10BH-S		SPG SG 060 IGT 007.5 C#T 1	5.4	266.3	-	-	15	-
	5.0	4.4	19.6	-	250	S9K30BH-#*	S9GX 10BH-S		SPG SG 060 IGT 006.0 C#T 1	5.4	266.3	-	-	15	-
	3.0	2.7	19.6	29.4	300	S9K*50BHv-#*	S9GX 10BH-S		SPG SG 060 IGT 005.0 *#T 1	5.4	266.3	5.6	-	15	-
	2.0	1.8	19.6	29.4	500	S9K*75BH-#*	S9GX 10BH-S		SPG SG 060 IGT 003.0 *#T 1	5.4	266.3	5.6	289.8	15	18
	1.5	1.3	19.6	29.4	750	S9K*100BH-#*	S9GX 10BH-S		SPG SG 060 IGT 002.0 *#T 1	5.4	266.3	5.6	289.8	15	18
	1.3	1.1	19.6	29.4	1000	S9K*120BH-#*	S9GX 10BH-S		SPG SG 060 IGT 001.5 *#T 1	5.4	266.3	5.6	289.8	15	18
1.0	0.9	19.6	29.4	1200	S9K*150BH-#*	S9GX 10BH-S		SPG SG 060 IGT 001.3 *#T 1	5.4	266.3	5.6	289.8	15	18	
0.8	0.7	19.6	29.4	1500	S9K*180BH-#*	S9GX 10BH-S		SPG SG 060 IGT 001.0 *#T 1	5.4	266.3	5.6	289.8	15	18	
0.7	0.7	19.6	29.4	1800	S9K*200BH-#*	S9GX 10BH-S		SPG SG 060 IGT 000.8 *#T 1	5.4	266.3	5.6	289.8	15	18	
90	500	417	1.7	-	3	S9K3BH-#			SPG SG 090 IGT 006.0 C#T 1	4.7	241.3	-	-	15	-
	300	250	2.9	-	5	S9K5BH-#			SPG SG 090 IGT 005.0 C#T 1	4.7	241.3	-	-	15	-
	200	167	4.4	-	7.5	S9K7.5BH-#			SPG SG 090 IGT 003.0 C#T 1	4.7	241.3	-	-	15	-
	150	125	5.9	-	10	S9K10BH-#			SPG SG 090 IGT 002.0 C#T 1	4.7	241.3	-	-	15	-
	100	83	8.0	-	15	S9K15BH-#			SPG SG 090 IGT 001.5 C#T 1	4.7	241.3	-	-	15	-
	75	63	10.7	-	20	S9K20BH-#			SPG SG 090 IGT 001.3 C#T 1	4.7	241.3	-	-	15	-
	60	50	12.1	-	25	S9K25BH-#			SPG SG 090 IGT 001.0 C#T 1	4.7	241.3	-	-	15	-
	50	42	14.6	-	30	S9K30BH-#			SPG SG 090 IGT 000.8 C#T 1	4.7	241.3	-	-	15	-
	30	25	19.6	-	50	S9K50BH-#			SPG SG 090 IGT 000.7 C#T 1	4.7	241.3	-	-	15	-
	20	17	19.6	-	75	S9K75BH-#*			SPG SG 090 IGT 020.0 C#T 1	4.7	241.3	-	-	15	-
	15	13	19.6	-	100	S9K100BH-#*			SPG SG 090 IGT 015.0 C#T 1	4.7	241.3	-	-	15	-
	12.5	10	19.6	-	120	S9K120BH-#*		SG9I90GTH-TA	SPG SG 090 IGT 012.5 C#T 1	4.7	241.3	-	-	15	-
	10	8.3	19.6	-	150	S9K150BH-#*			SPG SG 090 IGT 010.0 C#T 1	4.7	241.3	-	-	15	-
	7.5	6.3	19.6	-	180	S9K200BH-#*			SPG SG 090 IGT 007.5 C#T 1	4.7	241.3	-	-	15	-
	6.0	5.0	19.6	-	200	S9K25BHv-#*	S9GX 10BH-S		SPG SG 090 IGT 006.0 C#T 1	5.4	281.3	-	-	15	-
	5.0	4.2	19.6	-	250	S9K30BH-#*	S9GX 10BH-S		SPG SG 090 IGT 005.0 C#T 1	5.4	281.3	-	-	15	-
	3.0	2.5	19.6	-	300	S9K50BH-#*	S9GX 10BH-S		SPG SG 090 IGT 003.0 C#T 1	5.4	281.3	-	-	15	-
	2.0	1.7	19.6	-	500	S9K75BH-#*	S9GX 10BH-S		SPG SG 090 IGT 002.0 C#T 1	5.4	281.3	-	-	15	-
	1.5	1.3	19.6	-	750	S9K100BH-#*	S9GX 10BH-S		SPG SG 090 IGT 001.5 C#T 1	5.4	281.3	-	-	15	-
	1.3	1.0	19.6	-	1000	S9K120BH-#*	S9GX 10BH-S		SPG SG 090 IGT 001.3 C#T 1	5.4	281.3	-	-	15	-
1.0	0.8	19.6	-	1200	S9K150BH-#*	S9GX 10BH-S		SPG SG 090 IGT 001.0 C#T 1	5.4	281.3	-	-	15	-	
0.8	0.7	19.6	-	1500	S9K180BH-#*	S9GX 10BH-S		SPG SG 090 IGT 000.8 C#T 1	5.4	281.3	-	-	15	-	
0.7	0.6	19.6	-	1800	S9K200BH-#*	S9GX 10BH-S		SPG SG 090 IGT 000.7 C#T 1	5.4	281.3	-	-	15	-	

* Torque limiter recommended

SPG

1-phase geared motors 230 V | 6 and 15 W

TECHNICAL FEATURES

- 230 V ± 10 %/50 Hz
- S1 continuous operation
- IP 23 protection
- incl. motor capacitors 0,6/1,0 µF
- 15 W motors with overtemperature protector switch as NC contact
- CE/UL/cUL/CCC approval

Geared motors					Type designation			Geared motor	Weight	Total length	Output shaft Ø
Output	Output speed without load	Rated output speed	Rated output torque	Ratio**	Gearbox	Intermediate gearbox	Motor				
P_n	n_2	n_{2N}	M_2	i_{ges}	Type-no.	Type-no.	Type-no.	Order-no.	kg	mm	mm
[Watt]	[1/min]	[1/min]	[Nm]								
6	500	417	0.1	3	S6DA3B1			SPG SG 006 IGB 500.0 AT 1	1.0	137	8
	300	250	0.2	5	S6DA5B1			SPG SG 006 IGB 300.0 AT 1	1.0	137	8
	200	167	0.3	7.5	S6DA7.5B1			SPG SG 006 IGB 200.0 AT 1	1.0	137	8
	150	125	0.4	10	S6DA10B1			SPG SG 006 IGB 150.0 AT 1	1.0	137	8
	100	83	0.6	15	S6DA15B1			SPG SG 006 IGB 100.0 AT 1	1.0	137	8
	75	63	0.7	20	S6DA20B1			SPG SG 006 IGB 075.0 AT 1	1.0	147	8
	60	50	0.9	25	S6DA25B1			SPG SG 006 IGB 060.0 AT 1	1.0	147	8
	50	42	1.0	30	S6DA30B1			SPG SG 006 IGB 050.0 AT 1	1.0	147	8
	30	25	1.7	50	S6DA50B1			SPG SG 006 IGB 030.0 AT 1	1.0	147	8
	20	17	2.3	75	S6DA75B1*			SPG SG 006 IGB 020.0 AT 1	1.0	147	8
	15	13	2.5	100	S6DA100B1*			SPG SG 006 IGB 015.0 AT 1	1.0	147	8
	12.5	10	2.5	120	S6DA120B1*			SPG SG 006 IGB 012.5 AT 1	1.0	147	8
	10	8.3	2.5	150	S6DA150B1*			SPG SG 006 IGB 010.0 AT 1	1.0	147	8
	8.3	6.9	2.5	180	S6DA180B1*			SPG SG 006 IGB 008.3 AT 1	1.0	147	8
	7.5	6.3	2.5	200	S6DA20B1*	S6GX10XB		SPG SG 006 IGB 007.5 AT 1	1.2	173	8
	6.0	5.0	2.5	250	S6DA25B1*	S6GX10XB		SPG SG 006 IGB 006.0 AT 1	1.2	173	8
	5.0	4.2	2.5	300	S6DA30B1*	S6GX10XB		SPG SG 006 IGB 005.0 AT 1	1.2	173	8
	3.0	2.5	2.5	500	S6DA50B1*	S6GX10XB		SPG SG 006 IGB 003.0 AT 1	1.2	173	8
	2.0	1.7	2.5	750	S6DA75B1*	S6GX10XB		SPG SG 006 IGB 002.0 AT 1	1.2	173	8
	1.5	1.3	2.5	1000	S6DA100B1*	S6GX10XB		SPG SG 006 IGB 001.5 AT 1	1.2	173	8
1.3	1.0	2.5	1200	S6DA120B1*	S6GX10XB		SPG SG 006 IGB 001.3 AT 1	1.2	173	8	
1.0	0.8	2.5	1500	S6DA150B1*	S6GX10XB		SPG SG 006 IGB 001.0 AT 1	1.2	173	8	
0.8	0.7	2.5	1800	S6DA180B1*	S6GX10XB		SPG SG 006 IGB 000.8 AT 1	1.2	173	8	
15	500	417	0.3	3	S7KA3B1			SPG SG 015 IGB 500.0 AT 1	1.6	144	10
	300	250	0.5	5	S7KA5B1			SPG SG 015 IGB 300.0 AT 1	1.6	144	10
	200	167	0.8	7.5	S7KA7.5B1			SPG SG 015 IGB 200.0 AT 1	1.6	144	10
	150	125	1.0	10	S7KA10B1			SPG SG 015 IGB 150.0 AT 1	1.6	144	10
	100	83	1.3	15	S7KA15B1			SPG SG 015 IGB 100.0 AT 1	1.6	144	10
	75	63	1.8	20	S7KA20B1			SPG SG 015 IGB 075.0 AT 1	1.6	154	10
	60	50	2.2	25	S7KA25B1			SPG SG 015 IGB 060.0 AT 1	1.6	154	10
	50	42	2.5	30	S7KA30B1			SPG SG 015 IGB 050.0 AT 1	1.6	154	10
	30	25	4.1	50	S7KA50B1			SPG SG 015 IGB 030.0 AT 1	1.6	154	10
	20	17	4.9	75	S7KA75B1*			SPG SG 015 IGB 020.0 AT 1	1.6	154	10
	15	13	4.9	100	S7KA100B1*			SPG SG 015 IGB 015.0 AT 1	1.6	154	10
	12.5	10	4.9	120	S7KA120B1*			SPG SG 015 IGB 012.5 AT 1	1.6	154	10
	10	8.3	4.9	150	S7KA150B1*			SPG SG 015 IGB 010.0 AT 1	1.6	154	10
	8.3	6.9	4.9	180	S7KA180B1*			SPG SG 015 IGB 008.3 AT 1	1.6	154	10
	7.5	6.3	4.9	200	S7KA20B1*	S7GX10XB		SPG SG 015 IGB 007.5 AT 1	2.0	184	10
	6.0	5.0	4.9	250	S7KA25B1*	S7GX10XB		SPG SG 015 IGB 006.0 AT 1	2.0	184	10
	5.0	4.2	4.9	300	S7KA30B1*	S7GX10XB		SPG SG 015 IGB 005.0 AT 1	2.0	184	10
	3.0	2.5	4.9	500	S7KA50B1*	S7GX10XB		SPG SG 015 IGB 003.0 AT 1	2.0	184	10
	2.0	1.7	4.9	750	S7KA75B1*	S7GX10XB		SPG SG 015 IGB 002.0 AT 1	2.0	184	10
	1.5	1.3	4.9	1000	S7KA100B1*	S7GX10XB		SPG SG 015 IGB 001.5 AT 1	2.0	184	10
1.3	1.0	4.9	1200	S7KA120B1*	S7GX10XB		SPG SG 015 IGB 001.3 AT 1	2.0	184	10	
1.0	0.8	4.9	1500	S7KA150B1*	S7GX10XB		SPG SG 015 IGB 001.0 AT 1	2.0	184	10	
0.8	0.7	4.9	1800	S7KA180B1*	S7GX10XB		SPG SG 015 IGB 000.8 AT 1	2.0	184	10	

* Torque limiter recommended

SPG

1-phase geared motors 230 V | 25 and 40 W

TECHNICAL FEATURES

- 230 V ± 10 %/50 Hz
- S1 continuous operation
- IP 54 protection
- incl. motor capacitors 1,5/2,3 µF
- Overtemperature protector switch as NC contact
- CE/UL/cUL/CCC approval

Geared motors					Type designation			Geared motor	Weight	Total length	Output shaft Ø		
Output	Output speed without load	Rated output speed	Rated output torque	Ratio**	Gearbox	Intermediate gearbox	Motor						
P _n	n ₂	n _{2N}	M ₂	i _{ges}	Type-no.	Type-no.	Type-no.	Order-no	kg	mm	mm		
[Watt]	[1/min]	[1/min]	[Nm]										
25	500	417	0.5	3	S8KA3B1	-	SG8I25GB-TA	SPG SG 025 IGB 500.0 AT 1	1.8	149	10		
	300	250	0.8	5	S8KA5B1	-		SPG SG 025 IGB 300.0 AT 1	1.8	149	10		
	200	167	1.2	7.5	S8KA7.5B1	-		SPG SG 025 IGB 200.0 AT 1	1.8	149	10		
	150	125	1.5	10	S8KA10B1	-		SPG SG 025 IGB 150.0 AT 1	1.8	149	10		
	100	83	2.3	15	S8KA15B1	-		SPG SG 025 IGB 100.0 AT 1	1.8	149	10		
	75	63	3.1	20	S8KA20B1	-		SPG SG 025 IGB 075.0 AT 1	1.8	159,5	10		
	60	50	3.8	25	S8KA25B1	-		SPG SG 025 IGB 060.0 AT 1	1.8	159,5	10		
	50	42	4.3	30	S8KA30B1	-		SPG SG 025 IGB 050.0 AT 1	1.8	159,5	10		
	30	25	7.1	50	S8KA50B1	-		SPG SG 025 IGB 030.0 AT 1	1.8	159,5	10		
	20	17	7.8	75	S8KA75B1*	-		SPG SG 025 IGB 020.0 AT 1	1.8	159,5	10		
	15	13	7.8	100	S8KA100B1*	-		SPG SG 025 IGB 015.0 AT 1	1.8	159,5	10		
	12.5	10	7.8	120	S8KA120B1*	-		SPG SG 025 IGB 012.5 AT 1	1.8	159,5	10		
	10	8.3	7.8	150	S8KA150B1*	-		SPG SG 025 IGB 010.0 AT 1	1.8	159,5	10		
	8.3	6.9	7.8	180	S8KA180B1*	S8GX 10B		SPG SG 025 IGB 008.3 AT 1	1.8	159,5	10		
	7.5	6.3	7.8	200	S8KA20B1*	S8GX 10B		SPG SG 025 IGB 007.5 AT 1	2.2	191,5	10		
	6.0	5.0	7.8	250	S8KA25B1*	S8GX 10B		SPG SG 025 IGB 006.0 AT 1	2.2	191,5	10		
	5.0	4.2	7.8	300	S8KA30B1*	S8GX 10B		SPG SG 025 IGB 005.0 AT 1	2.2	191,5	10		
	3.0	2.5	7.8	500	S8KA50B1*	S8GX 10B		SPG SG 025 IGB 003.0 AT 1	2.2	191,5	10		
	40	500	425	0.8	3	S9KB3B1H		-	SG9I40GBH-TA	SPG SG 040 IGB 500.0 BT 1	3.4	179	12
		300	255	1.3	5	S9KB5B1H		-		SPG SG 040 IGB 300.0 BT 1	3.4	179	12
200		170	2.0	7.5	S9KB7.5B1H	-	SPG SG 040 IGB 200.0 BT 1	3.4		179	12		
150		128	2.7	10	S9KB10B1H	-	SPG SG 040 IGB 150.0 BT 1	3.4		179	12		
100		85	4.0	15	S9KB15B1H	-	SPG SG 040 IGB 100.0 BT 1	3.4		179	12		
75		64	4.8	20	S9KB20B1H	-	SPG SG 040 IGB 075.0 BT 1	3.4		197	12		
60		51	6.0	25	S9KB25B1H	-	SPG SG 040 IGB 060.0 BT 1	3.4		197	12		
50		43	7.3	30	S9KB30B1H	-	SPG SG 040 IGB 050.0 BT 1	3.4		197	12		
30		26	9.8	50	S9KB50B1H	-	SPG SG 040 IGB 030.0 BT 1	3.4		197	12		
20		17	9.8	75	S9KB75B1H*	-	SPG SG 040 IGB 020.0 BT 1	3.4		197	12		
15		13	9.8	100	S9KB100B1H*	-	SPG SG 040 IGB 015.0 BT 1	3.4		197	12		
12.5		11	9.8	120	S9KB120B1H*	-	SPG SG 040 IGB 012.5 BT 1	3.4		197	12		
10		8.5	9.8	150	S9KB150B1H*	-	SPG SG 040 IGB 010.0 BT 1	3.4		197	12		
8.3		7.1	9.8	180	S9KB180B1H*	-	SPG SG 040 IGB 008.3 BT 1	3.4		197	12		
7.5		6.4	9.8	200	S9KB20B1H*	S9GX 10BH	SPG SG 040 IGB 007.5 BT 1	4.0		234	12		
6.0		5.1	9.8	250	S9KB25B1H*	S9GX 10BH	SPG SG 040 IGB 006.0 BT 1	4.0		234	12		
5.0		4.3	9.8	300	S9KB30B1H*	S9GX 10BH	SPG SG 040 IGB 005.0 BT 1	4.0		234	12		
3.0		2.6	9.8	500	S9KB50B1H*	S9GX 10BH	SPG SG 040 IGB 003.0 BT 1	4.0		234	12		
2.0		1.7	9.8	750	S9KB75B1H*	S9GX 10BH	SPG SG 040 IGB 002.0 BT 1	4.0		234	12		
1.5		1.3	9.8	1000	S9KB100B1H*	S9GX 10BH	SPG SG 040 IGB 001.5 BT 1	4.0		234	12		
1.3	1.1	9.8	1200	S9KB120B1H*	S9GX 10BH	SPG SG 040 IGB 001.3 BT 1	4.0	234	12				
1.0	0.9	9.8	1500	S9KB150B1H*	S9GX 10BH	SPG SG 040 IGB 001.0 BT 1	4.0	234	12				
0.8	0.7	9.8	1800	S9KB180B1H*	S9GX 10BH	SPG SG 040 IGB 000.8 BT 1	4.0	234	12				

* Torque limiter recommended

SPG

1-phase geared motors 230 V | 60 and 90 W

TECHNICAL FEATURES

- 230 V ± 10 %/50 Hz
- S1 continuous operation
- IP 54 protection
- incl. motor capacitors 4,0/6,0 µF
- Overtemperature protector switch as NC contact
- CE/UL/cUL/CCC approval

Gearbox type

- C: 60-90 W square flange
- CS: 60-90 W rectangular flange
- D: 60-90 W square flange, high torque

Getriebemotoren						Typenbezeichnung									
Output	Output speed without load	Rated output speed	Rated output torque	Nominal torque (HT)	Ratio**	Gearbox	Intermediate gearbox	Motor	Geared motor	Weight	Total length	Weight (HT) High Torque	Total length (HT)	Output shaft Ø	Output shaft Ø (HT)
P _n	n ₂	n _{2N}	M ₂	M ₂	i _{ges}	Type-no.	Type-no.	Type-no.	Order-no.	kg	mm	mm	mm	mm	mm
[Watt]	[1/min]	[1/min]	[Nm]	[Nm]											
60	500	408	1.2	-	3	S9KC3BH-#	-		SPG SG 060 IGB 500.0 C#T	4.7	226.3	-	-	15	-
	300	260	1.9	-	5	S9KC5BH-#	-		SPG SG 060 IGB 300.0 C#T 1	4.7	226.3	-	-	15	-
	200	173	2.9	-	7.5	S9KC7.5BH-#	-		SPG SG 060 IGB 200.0 C#T 1	4.7	226.3	-	-	15	-
	150	130	3.9	-	10	S9KC10BH-#	-		SPG SG 060 IGB 150.0 C#T 1	4.7	226.3	-	-	15	-
	100	87	5.3	-	15	S9KC15BH-#	-		SPG SG 060 IGB 100.0 C#T 1	4.7	226.3	-	-	15	-
	75	65	7.1	-	20	S9KC20BH-#	-		SPG SG 060 IGB 075.0 C#T 1	4.7	226.3	-	-	15	-
	60	52	8.1	-	25	S9KC25BH-#	-		SPG SG 060 IGB 060.0 C#T 1	4.7	226.3	-	-	15	-
	50	43	9.7	-	30	S9KC30BH-#	-		SPG SG 060 IGB 050.0 C#T 1	4.7	226.3	-	-	15	-
	30	26	16.1	16.2	50	S9K*50BH-#	-		SPG SG 060 IGB 030.0 *#T 1	4.7	226.3	4.4	249.8	15	18
	20	17	19.6	21.2	75	S9K*75BH-#	-		SPG SG 060 IGB 020.0 *#T 1	4.7	226.3	4.4	249.8	15	18
	15	13	19.6	28.9	100	S9K*100BH-#	-		SPG SG 060 IGB 015.0 *#T 1	4.7	226.3	4.4	249.8	15	18
	12.5	11	19.6	29.4	120	S9K*120BH-#	-	SG9I60GBH-TA	SPG SG 060 IGB 012.5 *#T 1	4.7	226.3	4.4	249.8	15	18
	10	8.7	19.6	29.4	150	S9K*150BH-#	-		SPG SG 060 IGB 010.0 *#T 1	4.7	226.3	4.4	249.8	15	18
	7.5	6.5	19.6	29.4	180	S9K*200BH-#	-		SPG SG 060 IGB 008.3 *#T 1	4.7	226.3	4.4	249.8	15	18
	6.0	5.2	19.6	-	200	S9KC25BH-#	S9GX 10BH-S		SPG SG 060 IGB 007.5 C#T 1	5.4	266.3	-	-	15	-
	5.0	4.3	19.6	-	250	S9KC30BH-#	S9GX 10BH-S		SPG SG 060 IGB 006.0 C#T 1	5.4	266.3	-	-	15	-
	3.0	2.6	19.6	29.4	300	S9K*50BH-#	S9GX 10BH-S		SPG SG 060 IGB 005.0 *#T 1	5.4	266.3	5.1	-	15	-
	2.0	1.7	19.6	29.4	500	S9K*75BH-#	S9GX 10BH-S		SPG SG 060 IGB 003.0 *#T 1	5.4	266.3	5.1	289.8	15	18
	1.5	1.3	19.6	29.4	750	S9K*100BH-#	S9GX 10BH-S		SPG SG 060 IGB 002.0 *#T 1	5.4	266.3	5.1	289.8	15	18
	1.3	1.1	19.6	29.4	1000	S9K*120BH-#	S9GX 10BH-S		SPG SG 060 IGB 001.5 *#T 1	5.4	266.3	5.1	289.8	15	18
1.0	0.9	19.6	29.4	1200	S9K*150BH-#	S9GX 10BH-S		SPG SG 060 IGB 001.3 *#T 1	5.4	266.3	5.1	289.8	15	18	
0.8	0.7	19.6	29.4	1500	S9K*180BH-#	S9GX 10BH-S		SPG SG 060 IGB 001.0 *#T 1	5.4	266.3	5.1	289.8	15	18	
0.7	0.7	19.6	29.4	1800	S9K*200BH-#	S9GX 10BH-S		SPG SG 060 IGB 000.8 *#T 1	5.4	266.3	-	289.8	15	18	
90	500	417	1.7	-	3	S9KC3BH-#	-		SPG SG 090 IGB 006.0 C#T 1	4.7	241.3	-	-	15	-
	300	250	2.9	-	5	S9KC5BH-#	-		SPG SG 090 IGB 005.0 C#T 1	4.7	241.3	-	-	15	-
	200	167	4.4	-	7.5	S9KC7.5BH-#	-		SPG SG 090 IGB 003.0 C#T 1	4.7	241.3	-	-	15	-
	150	125	5.9	-	10	S9KC10BH-#	-		SPG SG 090 IGB 002.0 C#T 1	4.7	241.3	-	-	15	-
	100	83	8.0	-	15	S9KC15BH-#	-		SPG SG 090 IGB 001.5 C#T 1	4.7	241.3	-	-	15	-
	75	63	10.7	-	20	S9KC20BH-#	-		SPG SG 090 IGB 001.3 C#T 1	4.7	241.3	-	-	15	-
	60	50	12.1	-	25	S9KC25BH-#	-		SPG SG 090 IGB 001.0 C#T 1	4.7	241.3	-	-	15	-
	50	42	14.6	-	30	S9KC30BH-#	-		SPG SG 090 IGB 000.8 C#T 1	4.7	241.3	-	-	15	-
	30	25	19.6	-	50	S9KC50BH-#	-		SPG SG 090 IGB 000.7 C#T 1	4.7	241.3	-	-	15	-
	20	17	19.6	-	75	S9K*75BH-#	-		SPG SG 090 IGB 020.0 C#T 1	4.7	241.3	-	-	15	-
	15	13	19.6	-	100	S9KC100BH-#	-		SPG SG 090 IGB 015.0 C#T 1	4.7	241.3	-	-	15	-
	12.5	10	19.6	-	120	S9KC120BH-#	-	SG9I90GBH-TA	SPG SG 090 IGB 012.5 C#T 1	4.7	241.3	-	-	15	-
	10	8.3	19.6	-	150	S9K*150BH-#	-		SPG SG 090 IGB 010.0 C#T 1	4.7	241.3	-	-	15	-
	7.5	6.3	19.6	-	180	S9K*200BH-#	-		SPG SG 090 IGB 007.5 C#T 1	4.7	241.3	-	-	15	-
	6.0	5.0	19.6	-	200	S9KC25BH-#	S9GX 10BH-S		SPG SG 090 IGB 006.0 C#T 1	5.4	281.3	-	-	15	-
	5.0	4.2	19.6	-	250	S9KC30BH-#	S9GX 10BH-S		SPG SG 090 IGB 005.0 C#T 1	5.4	281.3	-	-	15	-
	3.0	2.5	19.6	-	300	S9KC50BH-#	S9GX 10BH-S		SPG SG 090 IGB 003.0 C#T 1	5.4	281.3	-	-	15	-
	2.0	1.7	19.6	-	500	S9K*75BH-#	S9GX 10BH-S		SPG SG 090 IGB 002.0 C#T 1	5.4	281.3	-	-	15	-
	1.5	1.3	19.6	-	750	S9K*100BH-#	S9GX 10BH-S		SPG SG 090 IGB 001.5 C#T 1	5.4	281.3	-	-	15	-
	1.3	1.0	19.6	-	1000	S9K*120BH-#	S9GX 10BH-S		SPG SG 090 IGB 001.3 C#T 1	5.4	281.3	-	-	15	-
1.0	0.8	19.6	-	1200	S9K*150BH-#	S9GX 10BH-S		SPG SG 090 IGB 001.0 C#T 1	5.4	281.3	-	-	15	-	
0.8	0.7	19.6	-	1500	S9K*180BH-#	S9GX 10BH-S		SPG SG 090 IGB 000.8 C#T 1	5.4	281.3	-	-	15	-	
0.7	0.6	19.6	-	1800	S9K*200BH-#	S9GX 10BH-S		SPG SG 090 IGB 000.7 C#T 1	5.4	281.3	-	-	15	-	

* Torque limiter recommended

SPG

1-phase geared brake motors 230 V | 6 and 15 W

TECHNICAL FEATURES

- 230 V ± 10 %/50 Hz
- S2 intermittent operation 30 min
- IP 23 protection
- incl. motor capacitors 0.8/1.5 µF
- 15 W motors with overtemperature protector switch as NC contact
- CE/UL/cUL/CCC approval

Geared motors					Type designation			Geared motor	Weight	Total length	Output shaft Ø
Output	Output speed without load	Rated output speed	Rated output torque	Ratio**	Gearbox	Intermediate gearbox	Motor				
P _n	n ₂	n _{2N}	M ₂	i _{ges}	Type-no.	Type-no.	Type-no.	Order-no.	kg	mm	mm
[Watt]	[1/min]	[1/min]	[Nm]								
6	500	433	0.12	3	S6DA3B1		SG6R6GB-EA	SPG SG 006 RGB 500.0 AE 1	1.2	173.5	8
	300	260	0.20	5	S6DA5B1			SPG SG 006 RGB 300.0 AE 1	1.2	173.5	8
	200	173	0.31	7.5	S6DA7.5B1			SPG SG 006 RGB 200.0 AE 1	1.2	173.5	8
	150	130	0.42	10	S6DA10B1			SPG SG 006 RGB 150.0 AE 1	1.2	173.5	8
	100	87	0.63	15	S6DA15B1			SPG SG 006 RGB 100.0 AE 1	1.2	173.5	8
	75	65	0.76	20	S6DA20B1			SPG SG 006 RGB 075.0 AE 1	1.2	183.5	8
	60	52	0.95	25	S6DA25B1			SPG SG 006 RGB 060.0 AE 1	1.2	183.5	8
	50	43	1.1	30	S6DA30B1			SPG SG 006 RGB 050.0 AE 1	1.2	183.5	8
	30	26	1.5	50	S6DA50B1			SPG SG 006 RGB 030.0 AE 1	1.2	183.5	8
	20	17	2.5	75	S6DA75B1*			SPG SG 006 RGB 020.0 AE 1	1.2	183.5	8
	15	13	2.9	100	S6DA100B1*			SPG SG 006 RGB 015.0 AE 1	1.2	183.5	8
	12.5	11	2.9	120	S6DA120B1*			SPG SG 006 RGB 012.5 AE 1	1.2	183.5	8
	10	9	2.9	150	S6DA150B1*			SPG SG 006 RGB 010.0 AE 1	1.2	183.5	8
8.3	7	2.9	180	S6DA180B1*		SPG SG 006 RGB 008.3 AE 1	1.2	183.5	8		
15	500	433	0.31	3	S7KA3B1		SG7R15GB-EA	SPG SG 015 RGB 500.0 AE 1	1.6	180.5	10
	300	260	0.53	5	S7KA5B1			SPG SG 015 RGB 300.0 AE 1	1.6	180.5	10
	200	173	0.8	7.5	S7KA7.5B1			SPG SG 015 RGB 200.0 AE 1	1.6	180.5	10
	150	130	1.05	10	S7KA10B1			SPG SG 015 RGB 150.0 AE 1	1.6	180.5	10
	100	87	1.58	15	S7KA15B1			SPG SG 015 RGB 100.0 AE 1	1.6	180.5	10
	75	65	1.9	20	S7KA20B1			SPG SG 015 RGB 075.0 AE 1	1.6	190.5	10
	60	52	2.3	25	S7KA25B1			SPG SG 015 RGB 060.0 AE 1	1.6	190.5	10
	50	43	2.8	30	S7KA30B1			SPG SG 015 RGB 050.0 AE 1	1.6	190.5	10
	30	26	4.3	50	S7KA50B1			SPG SG 015 RGB 030.0 AE 1	1.6	190.5	10
	20	17	4.9*	75	S7KA75B1*			SPG SG 015 RGB 020.0 AE 1	1.6	190.5	10
	15	13	4.9*	100	S7KA100B1*			SPG SG 015 RGB 015.0 AE 1	1.6	190.5	10
	12.5	11	4.9*	120	S7KA120B1*			SPG SG 015 RGB 012.5 AE 1	1.6	190.5	10
	10	9	4.9*	150	S7KA150B1*			SPG SG 015 RGB 010.0 AE 1	1.6	190.5	10
8.3	7	4.9*	180	S7KA180B1*		SPG SG 015 RGB 008.3 AE 1	1.6	190.5	10		

The brake connection voltage is ensured by the main terminal voltage with the rectifier integrated in the geared motor.

* Torque limiter recommended

SPG

1-phase geared brake motors 230 V | 25 and 40 W

TECHNICAL FEATURES

- 230 V ± 10 %/50 Hz
- S2 intermittent operation 30 min
- IP23 protection
- incl. motor capacitors 2,0/3,5 µF
- Overtemperature protector switch as NC contact
- CE/UL/cUL/CCC approval

Geared motors					Type designation			Geared motor	Weight	Total length	Output shaft Ø
Output	Output speed without load	Rated output speed	Rated output torque	Ratio**	Gearbox	Intermediate gearbox	Motor				
P_n	n_2	n_{2N}	M_2	i_{ges}	Typ-no.	Type-no.	Type-no.	Order-no.	kg	mm	mm
[Watt]	[1/min]	[1/min]	[Nm]								
25	500	425	0.5	3	S8KA3B1		SG8R25GB-EA	SPG SG 025 RGB 500.0 AE 1	2.5	187.5	10
	300	255	0.87	5	S8KA5B1			SPG SG 025 RGB 300.0 AE 1	2.5	187.5	10
	200	170	1.3	7.5	S8KA7.5B1			SPG SG 025 RGB 200.0 AE 1	2.5	187.5	10
	150	128	1.7	10	S8KA10B1			SPG SG 025 RGB 150.0 AE 1	2.5	187.5	10
	100	85	2.6	15	S8KA15B1			SPG SG 025 RGB 100.0 AE 1	2.5	187.5	10
	75	64	3.1	20	S8KA20B1			SPG SG 025 RGB 075.0 AE 1	2.5	198	10
	60	51	3.9	25	S8KA25B1			SPG SG 025 RGB 060.0 AE 1	2.5	198	10
	50	43	4.7	30	S8KA30B1			SPG SG 025 RGB 050.0 AE 1	2.5	198	10
	30	26	7.1	50	S8KA50B1			SPG SG 025 RGB 030.0 AE 1	2.5	198	10
	20	17	7.8	75	S8KA75B1*			SPG SG 025 RGB 020.0 AE 1	2.5	198	10
	15	13	7.8	100	S8KA100B1*			SPG SG 025 RGB 015.0 AE 1	2.5	198	10
	12.5	11	7.8	120	S8KA120B1*			SPG SG 025 RGB 012.5 AE 1	2.5	198	10
	10	9	7.8	150	S8KA150B1*			SPG SG 025 RGB 010.0 AE 1	2.5	198	10
8.3	7	7.8	180	S8KA180B1*		SPG SG 025 RGB 008.3 AE 1	2.5	198	10		
40	500	450	0.8	3	S9KB3B1H		SG9R40GBH-EA	SPG SG 040 RGB 500.0 BE 1	3.9	217.5	12
	300	270	1.35	5	S9KB5B1H			SPG SG 040 RGB 300.0 BE 1	3.9	217.5	12
	200	180	2.0	7.5	S9KB7.5B1H			SPG SG 040 RGB 200.0 BE 1	3.9	217.5	12
	150	135	2.7	10	S9KB10B1H			SPG SG 040 RGB 150.0 BE 1	3.9	217.5	12
	100	90	4.0	15	S9KB15B1H			SPG SG 040 RGB 100.0 BE 1	3.9	217.5	12
	75	68	4.8	20	S9KB20B1H			SPG SG 040 RGB 075.0 BE 1	3.9	235.5	12
	60	54	6.0	25	S9KB25B1H			SPG SG 040 RGB 060.0 BE 1	3.9	235.5	12
	50	45	7.3	30	S9KB30B1H			SPG SG 040 RGB 050.0 BE 1	3.9	235.5	12
	30	27	9.8	50	S9KB50B1H			SPG SG 040 RGB 030.0 BE 1	3.9	235.5	12
	20	18	9.8	75	S9KB75B1H*			SPG SG 040 RGB 020.0 BE 1	3.9	235.5	12
	15	14	9.8	100	S9KB100B1H*			SPG SG 040 RGB 015.0 BE 1	3.9	235.5	12
	12.5	11	9.8	120	S9KB120B1H*			SPG SG 040 RGB 012.5 BE 1	3.9	235.5	12
	10	9	9.8	150	S9KB150B1H*			SPG SG 040 RGB 010.0 BE 1	3.9	235.5	12
8.3	8	9.8	180	S9KB180B1H*		SPG SG 040 RGB 008.3 BE 1	3.9	235.5	12		

The brake connection voltage is ensured by the main terminal voltage with the rectifier integrated in the geared motor.

* Torque limiter recommended

SPG

1-phase geared brake motors 230 V | 60 and 90 W

TECHNICAL FEATURES

- 230 V ± 10 %/50 Hz
- S2 intermittent operation 30 min
- IP23 protection
- incl. motor capacitors 5,0/7,0 µF
- Overtemperature protector switch as NC contact
- CE/UL/cUL/CCC approval

Gearbox type

- C: 60-90 W square flange
- CS: 60-90 W rectangular flange
- D: 60-90 W square flange, high torque

Geared motors						Type designation			Geared motor	Weight	Total length	Weight (HT) High Torque	Total length (HT)	Output shaft Ø	Output shaft Ø (HT)
Output	Output speed without load	Rated output speed	Rated output torque	Nominal torque (HT)	Ratio**	Gearbox	Intermediate gearbox	Motor							
P _n	n ₂	n _{2N}	M ₂	M ₂	i _{ges}	Type-no.	Type-no.	Type-no.	Order-no.	kg	mm	kg	mm	mm	mm
[Watt]	[1/min]	[1/min]	[Nm]	[Nm]											
60	500	433	1.1	-	3	S9KC3BH-#			SPG SG 060 RGB 500.0 C#E 1	4.4	266.8	-	-	15	-
	300	260	1.9	-	5	S9KC5BH-#			SPG SG 060 RGB 300.0 C#E 1	4.4	266.8	-	-	15	-
	200	173	3.9	-	7.5	S9KC7.5BH-#			SPG SG 060 RGB 200.0 C#E 1	4.4	266.8	-	-	15	-
	150	130	5.4	-	10	S9KC10BH-#			SPG SG 060 RGB 150.0 C#E 1	4.4	266.8	-	-	15	-
	100	87	7.2	-	15	S9KC15BH-#			SPG SG 060 RGB 100.0 C#E 1	4.4	266.8	-	-	15	-
	75	65	8.1	-	20	S9KC20BH-#			SPG SG 060 RGB 075.0 C#E 1	4.4	266.8	-	-	15	-
	60	52	9.7	-	25	S9KC25BH-#			SPG SG 060 RGB 060.0 C#E 1	4.4	266.8	-	-	15	-
	50	43	16.1	-	30	S9KC30BH-#			SPG SG 060 RGB 050.0 C#E 1	4.4	266.8	-	-	15	-
	30	26	19.6	16.2	50	S9K*50BH-#			SPG SG 060 RGB 030.0 *#E 1	4.4	266.8	4.9	290.3	15	18
	20	17	19.6	21.2	75	S9K*75BH-#*			SPG SG 060 RGB 020.0 *#E 1	4.4	266.8	4.9	290.3	15	18
	15	13	19.6	28.9	100	S9K*100BH-#*			SPG SG 060 RGB 015.0 *#E 1	4.4	266.8	4.9	290.3	15	18
	12.5	11	19.6	29.4	120	S9K*120BH-#*			SPG SG 060 RGB 012.5 *#E 1	4.4	266.8	4.9	290.3	15	18
	10	9	19.6	29.4	150	S9K*150BH-#*			SPG SG 060 RGB 010.0 *#E 1	4.4	266.8	4.9	290.3	15	18
	7.5	7	19.6	29.4	180	S9K*200BH-#*			SPG SG 060 RGB 008.3 *#E 1	4.4	266.8	4.9	290.3	15	18
90	500	425	1.8	-	3	S9KC3BH-#			SPG SG 090 RGB 006.0 C#E 1	4.9	281.8	-	-	15	-
	300	255	2.9	-	5	S9KC5BH-#			SPG SG 090 RGB 005.0 C#E 1	4.9	281.8	-	-	15	-
	200	170	5.9	-	7.5	S9KC7.5BH-#			SPG SG 090 RGB 003.0 C#E 1	4.9	281.8	-	-	15	-
	150	128	8.0	-	10	S9KC10BH-#			SPG SG 090 RGB 002.0 C#E 1	4.9	281.8	-	-	15	-
	100	85	10.8	-	15	S9KC15BH-#			SPG SG 090 RGB 001.5 C#E 1	4.9	281.8	-	-	15	-
	75	64	12.1	-	20	S9KC20BH-#			SPG SG 090 RGB 001.3 C#E 1	4.9	281.8	-	-	15	-
	60	51	14.6	-	25	S9KC25BH-#			SPG SG 090 RGB 001.0 C#E 1	4.9	281.8	-	-	15	-
	50	43	19.6	-	30	S9KC30BH-#			SPG SG 090 RGB 000.8 C#E 1	4.9	281.8	-	-	15	-
	30	26	19.6	-	50	S9KC50BH-#			SPG SG 090 RGB 000.7 C#E 1	4.9	281.8	-	-	15	-
	20	17	19.6	-	75	S9KC75BH-#*			SPG SG 090 RGB 020.0 C#E 1	4.9	281.8	-	-	15	-
	15	13.5	19.6	-	100	S9KC100BH-#*			SPG SG 090 RGB 015.0 C#E 1	4.9	281.8	-	-	15	-
	12.5	11.8	19.6	-	120	S9KC120BH-#*			SPG SG 090 RGB 012.5 C#E 1	4.9	281.8	-	-	15	-
	10	9	19.6	-	150	S9KC150BH-#*			SPG SG 090 RGB 010.0 C#E 1	4.9	281.8	-	-	15	-
	7.5	6	19.6	-	180	S9KC200BH-#*			SPG SG 090 RGB 007.5 C#E 1	4.9	281.8	-	-	15	-

The brake connection voltage is ensured by the main terminal voltage with the rectifier integrated in the geared motor.

* Torque limiter recommended

SPG

3-phase geared brake motors 230 V | 25 and 40 W

TECHNICAL FEATURES

- 3 x 230 V ± 10 %/50 Hz
- S1 continuous operation
- IP 23 protection
- Overtemperature protector switch as NC contact
- CE/UL/cUL/CCC approval

Getriebemotoren					Typenbezeichnung			Geared motor	Weight	Total length	Output shaft Ø
Output	Output speed without load	Rated output speed	Rated output torque	Ratio**	Gearbox	Intermediate gearbox	Motor				
P_n	n_2	n_{2N}	M_2	i_{ges}	Type-no.	Type-no.	Type-no.	Order-no.	kg	mm	mm
[Watt]	[1/min]	[1/min]	[Nm]								
25	500	458	0.5	3	S8KA3B1			SPG SG 025 IGT 500.0 AE 1	2.5	187.5	10
	300	275	0.87	5	S8KA5B1			SPG SG 025 IGT 300.0 AE 1	2.5	187.5	10
	200	183	1.3	7.5	S8KA7.5B1			SPG SG 025 IGT 200.0 AE 1	2.5	187.5	10
	150	138	1.7	10	S8KA10B1			SPG SG 025 IGT 150.0 AE 1	2.5	187.5	10
	100	92	2.6	15	S8KA15B1			SPG SG 025 IGT 100.0 AE 1	2.5	187.5	10
	75	69	3.1	20	S8KA20B1			SPG SG 025 IGT 075.0 AE 1	2.5	198	10
	60	55	3.9	25	S8KA25B1			SPG SG 025 IGT 060.0 AE 1	2.5	198	10
	50	46	4.7	30	S8KA30B1			SPG SG 025 IGT 050.0 AE 1	2.5	198	10
	30	28	7.1	50	S8KA50B1			SPG SG 025 IGT 030.0 AE 1	2.5	198	10
	20	18	7.8	75	S8KA75B1*			SPG SG 025 IGT 020.0 AE 1	2.5	198	10
	15	14	7.8	100	S8KA100B1*			SPG SG 025 IGT 015.0 AE 1	2.5	198	10
	12.5	111	7.8	120	S8KA120B1*			SPG SG 025 IGT 012.5 AE 1	2.5	198	10
	10	9	7.8	150	S8KA150B1*			SPG SG 025 IGT 010.0 AE 1	2.5	198	10
	8.3	8	7.8	180	S8KA180B1*			SPG SG 025 IGT 008.3 AE 1	2.5	198	10
40	500	467	0.8	3	S9KB3B1H			SPG SG 040 IGT 500.0 BE 1	3.9	217.5	12
	300	280	1.35	5	S9KB5B1H			SPG SG 040 IGT 300.0 BE 1	3.9	217.5	12
	200	187	2.0	7.5	S9KB7.5B1H			SPG SG 040 IGT 200.0 BE 1	3.9	217.5	12
	150	140	2.7	10	S9KB10B1H			SPG SG 040 IGT 150.0 BE 1	3.9	217.5	12
	100	93	4.0	15	S9KB15B1H			SPG SG 040 IGT 100.0 BE 1	3.9	217.5	12
	75	70	4.8	20	S9KB20B1H			SPG SG 040 IGT 075.0 BE 1	3.9	235.5	12
	60	56	6.0	25	S9KB25B1H			SPG SG 040 IGT 060.0 BE 1	3.9	235.5	12
	50	47	7.3	30	S9KB30B1H			SPG SG 040 IGT 050.0 BE 1	3.9	235.5	12
	30	28	9.8	50	S9KB50B1H			SPG SG 040 IGT 030.0 BE 1	3.9	235.5	12
	20	19	9.8	75	S9KB75B1H*			SPG SG 040 IGT 020.0 BE 1	3.9	235.5	12
	15	14	9.8	100	S9KB100B1H*			SPG SG 040 IGT 015.0 BE 1	3.9	235.5	12
	12.5	12	9.8	120	S9KB120B1H*			SPG SG 040 IGT 012.5 BE 1	3.9	235.5	12
	10	9	9.8	150	S9KB150B1H*			SPG SG 040 IGT 010.0 BE 1	3.9	235.5	12
	8.3	8	9.8	180	S9KB180B1H*			SPG SG 040 IGT 008.3 BE 1	3.9	235.5	12

The brake connection voltage is ensured by the main terminal voltage with the rectifier integrated in the geared motor.

* Torque limiter recommended

SPG

3-phase geared brake motors 230 V | 60 and 90 W

TECHNICAL FEATURES

- 3 x 230 V ± 10 %/50 Hz
- S1 continuous operation
- IP 23 protection
- Overtemperature protector switch as NC contact
- CE/UL/cUL/CCC approval

Gearbox type

- C: 60-90 W square flange
- CS: 60-90 W rectangular flange
- D: 60-90 W square flange, high torque

Geared motors						Type designation									
Output	Output speed without load	Rated output speed	Rated output torque	Nominal torque (HT)	Ratio**	Gearbox	Intermediate gearbox	Motor	Geared motor	Weight	Total length	Weight (HT) High Torque	Total length (HT)	Output shaft Ø	Output shaft Ø (HT)
P _n	n ₂	n _{2N}	M ₂	M ₂	i _{ges}	Type-no.	Type-no.	Type-no.	Order-no.	kg	mm	kg	mm	mm	mm
[Watt]	[1/min]	[1/min]	[Nm]	[Nm]											
60	500	467	1.1	-	3	S9KC3BH-#		SG9I60GTH-EA	SPG SG 060 IGT 500.0 C#E 1	4.4	266.8	-	-	15	-
	300	280	1.9	-	5	S9KC5BH-#			SPG SG 060 IGT 300.0 C#E 1	4.4	266.8	-	-	15	-
	200	187	3.9	-	7.5	S9KC7.5BH-#			SPG SG 060 IGT 200.0 C#E 1	4.4	266.8	-	-	15	-
	150	140	5.4	-	10	S9KC10BH-#			SPG SG 060 IGT 150.0 C#E 1	4.4	266.8	-	-	15	-
	100	93	7.2	-	15	S9KC15BH-#			SPG SG 060 IGT 100.0 C#E 1	4.4	266.8	-	-	15	-
	75	70	8.1	-	20	S9KC20BH-#			SPG SG 060 IGT 075.0 C#E 1	4.4	266.8	-	-	15	-
	60	56	9.7	-	25	S9KC25BH-#			SPG SG 060 IGT 060.0 C#E 1	4.4	266.8	-	-	15	-
	50	47	16.1	-	30	S9KC30BH-#			SPG SG 060 IGT 050.0 C#E 1	4.4	266.8	-	-	15	-
	30	28	19.6	16.2	50	S9K*50BH-#			SPG SG 060 IGT 030.0 *#E 1	4.4	266.8	4.9	290.3	15	18
	20	19	19.6	21.2	75	S9K*75BH-#*			SPG SG 060 IGT 020.0 *#E 1	4.4	266.8	4.9	290.3	15	18
	15	14	19.6	28.9	100	S9K*100BH-#*			SPG SG 060 IGT 015.0 *#E 1	4.4	266.8	4.9	290.3	15	18
	12.5	12	19.6	29.4	120	S9K*120BH-#*			SPG SG 060 IGT 012.5 *#E 1	4.4	266.8	4.9	290.3	15	18
	10	9	19.6	29.4	150	S9K*150BH-#*			SPG SG 060 IGT 010.0 *#E 1	4.4	266.8	4.9	290.3	15	18
	7.5	8	19.6	29.4	180	S9K*200BH-#*			SPG SG 060 IGT 008.3 *#E 1	4.4	266.8	4.9	290.3	15	18
90	500	467	1.8	-	3	S9KC3BH-#		SG9I90GTH-EA	SPG SG 090 IGT 006.0 C#E 1	4.9	281.8	-	-	15	-
	300	280	2.9	-	5	S9KC5BH-#			SPG SG 090 IGT 005.0 C#E 1	4.9	281.8	-	-	15	-
	200	187	5.9	-	7.5	S9KC7.5BH-#			SPG SG 090 IGT 003.0 C#E 1	4.9	281.8	-	-	15	-
	150	140	8.0	-	10	S9KC10BH-#			SPG SG 090 IGT 002.0 C#E 1	4.9	281.8	-	-	15	-
	100	93	10.8	-	15	S9KC15BH-#			SPG SG 090 IGT 001.5 C#E 1	4.9	281.8	-	-	15	-
	75	70	12.1	-	20	S9KC20BH-#			SPG SG 090 IGT 001.3 C#E 1	4.9	281.8	-	-	15	-
	60	56	14.6	-	25	S9KC25BH-#			SPG SG 090 IGT 001.0 C#E 1	4.9	281.8	-	-	15	-
	50	47	19.6	-	30	S9KC30BH-#			SPG SG 090 IGT 000.8 C#E 1	4.9	281.8	-	-	15	-
	30	28	19.6	-	50	S9KC50BH-#			SPG SG 090 IGT 000.7 C#E 1	4.9	281.8	-	-	15	-
	20	19	19.6	-	75	S9K75BH-#*			SPG SG 090 IGT 020.0 C#E 1	4.9	281.8	-	-	15	-
	15	14	19.6	-	100	S9K100BH-#*			SPG SG 090 IGT 015.0 CvE 1	4.9	281.8	-	-	15	-
	12.5	12	19.6	-	120	S9K120BH-#*			SPG SG 090 IGT 012.5 C#E 1	4.9	281.8	-	-	15	-
	10	9.3	19.6	-	150	S9K150BH-#*			SPG SG 090 IGT 010.0 C#E 1	4.9	281.8	-	-	15	-
	7.5	7.0	19.6	-	180	S9K200BH-#*			SPG SG 090 IGT 007.5 C#E 1	4.9	281.8	-	-	15	-

The brake connection voltage is ensured by the main terminal voltage with the rectifier integrated in the geared motor.

* Torque limiter recommended

Technical features

Motor data

1-phase motors 230 V

Design:

1-phase motors, standard

Supply voltage:

230 V, 50 Hz

Operating mode:

S1 continuous operation

		Motor type-no.						
		SG6I06GB-TA	SG7I15GB-TA	SG8I25GB-TA	SG9I40GBH-TA	SG9I60GBH-TA	SG9I90GBH-TA	
Motor data	Output	[Watt]	6	15	25	40	60	90
	Weight	[kg]	0.7	1.1	1.6	2.45	2.6	3.1
	Rated current	[A]	0.12	0.18	0.23	0.35	0.58	0.68
	Input power	[Watt]	23	38	50	74	119	154
	Rated speed	[1/min]	1250	1250	1300	1300	1350	1350
	Rated torque	[Nm]	0.046	0.11	0.19	0.29	0.43	0.63
	Starting current	[A]	0.18	0.34	0.48	0.9	1.01	1.9
	Starting torque	[Nm]	0.052	0.8	0.17	0.24	0.49	0.7
	Capacitor	[μF]	0.6	1.0	1.5	2.3	4.0	6.0
	Capacitor	[V]	450	450	450	450	450	450
	Type of protection	IP	IP 23	IP 23	IP 54	IP 54	IP 54	IP 54
	Insulation class		B	B	B	B	B	B
	Approvals		UL/cUL/CE/CCC	UL/cUL/CE/CCC	UL/cUL/CE/CCC	UL/cUL/CE/CCC	UL/cUL/CE/CCC	UL/cUL/CE/CCC
	Thermal switch		No	Yes	Yes	Yes	Yes	Yes
	Braking current	[A]	-	-	-	-	-	-
Brake input power	[W]	-	-	-	-	-	-	
Brake holding torque	[Nm]	-	-	-	-	-	-	

Technical features

Motor data

1-phase brake motors 230 V

Design: 1-phase brake motors **Supply voltage:** 230 V, 50 Hz **Operating mode:** S2 intermittent operation

		Motor type-no.						
		SG6R6GB-EA	SG7R15GB-EA	SG8R25GB-EA	SG9R40GBH-EA	SG9R60GBH-EA	SG9R90GBH-EA	
Motor data	Output	[Watt]	6	15	25	40	60	90
	Weight	[kg]	0.95	1.3	1.9	2.7	2.9	3.4
	Rated current	[A]	0.14	0.21	0.3	0.42	0.65	0.8
	Input power	[Watt]	30	47	64.5	93	139	184
	Rated speed	[1/min]	1300	1300	1300	1350	1350	1300
	Rated torque	[Nm]	0.044	0.11	0.18	0.28	0.43	0.65
	Starting current	[A]	0.18	0.34	0.5	1	1.2	1.6
	Starting torque	[Nm]	0.07	0.13	0.23	0.42	0.64	0.85
	Capacitor	[µF]	0.8	1.5	2.0	3.5	5.0	7.0
	Capacitor	[V]	450	450	450	450	450	450
	Type of protection	IP	IP 23	IP 23	IP 23	IP 23	IP 23	IP 23
	Insulation class		B	B	B	B	B	B
	Approvals		UL/cUL/CE/CCC	UL/cUL/CE/CCC	UL/cUL/CE/CCC	UL/cUL/CE/CCC	UL/cUL/CE/CCC	UL/cUL/CE/CCC
	Thermal switch		No	Yes	Yes	Yes	Yes	Yes
	Braking current	[A]	-	-	-	-	-	-
Brake input power	[W]	-	-	-	-	-	-	
Brake holding torque	[Nm]	-	-	-	-	-	-	

3-phase motors 230 V

Design: 3-phase motors **Supply voltage:** 230 V, 50 Hz **Operating mode:** S1 continuous operation

		Motor type-no.				
		SG8I25GT-TA	SG9I40GTH-TA	SG9I60GTH-TA	SG9I60GTH-TA	
Motor data	Output	[Watt]	25	40	60	90
	Weight	[kg]	1.6	2.45	2.6	3.1
	Rated current [A]	[A]	0.27	0.28	0.48	0.67
	Input power	[Watt]	50.5	63	101	142
	Rated speed	[1/min]	1350	1350	1350	1350
	Rated torque	[Nm]	0.18	0.28	0.42	0.63
	Starting current	[A]	0.79	1.3	1.7	2.3
	Starting torque	[Nm]	0.92	1.31	1.96	2.9
	Capacitor	[µF]	-	-	-	-
	Capacitor	[V]	-	-	-	-
	Type of protection	IP	IP 54	IP 54	IP 54	IP 54
	Insulation class		B	B	B	B
	Approvals		UL/cUL/CE/CCC	UL/cUL/CE/CCC	UL/cUL/CE/CCC	UL/cUL/CE/CCC
	Thermal switch		Yes	Yes	Yes	Yes
	Braking current	[A]	-	-	-	-
Brake input power	[W]	-	-	-	-	
Brake holding torque	[Nm]	-	-	-	-	

Technical features

Motor data

3-phase motors 400 V

Design:

3-phase motors

Supply voltage:

400 V, 50 Hz

Operating mode:

S1 continuous operation

		Motor type-no.				
		SG8I25GS-TA	SG9I40GSH-TA	SG9I60GSH-TA	SG9I90GSH-TA	
Motor data	Output	[Watt]	25	40	60	90
	Weight	[kg]	1.6	2.45	2.6	3.1
	Rated current [A]	[A]	0.13	0.18	0.26	0.30
	Input power	[Watt]	47	68	100	138
	Rated speed	[1/min]	1350	1350	1350	1350
	Rated torque	[Nm]	0.18	0.28	0.42	0.65
	Starting current	[A]	0.34	0.61	0.78	1
	Starting torque	[Nm]	0.72	1.34	1.85	2.25
	Capacitor	[µF]	-	-	-	-
	Capacitor	[V]	-	-	-	-
	Type of protection	IP	IP 54	IP 54	IP 54	IP 54
	Insulation class		B	B	B	B
	Approvals		UL/cUL/CE/CCC	UL/cUL/CE/CCC	UL/cUL/CE/CCC	UL/cUL/CE/CCC
	Thermal switch		Yes	Yes	Yes	Yes
	Braking current	[A]	-	-	-	-
Brake input power	[W]	-	-	-	-	
Brake holding torque	[Nm]	-	-	-	-	

3-phase brake motors 230 V

Design:

3-phase brake motors

Supply voltage:

230 V, 50 Hz

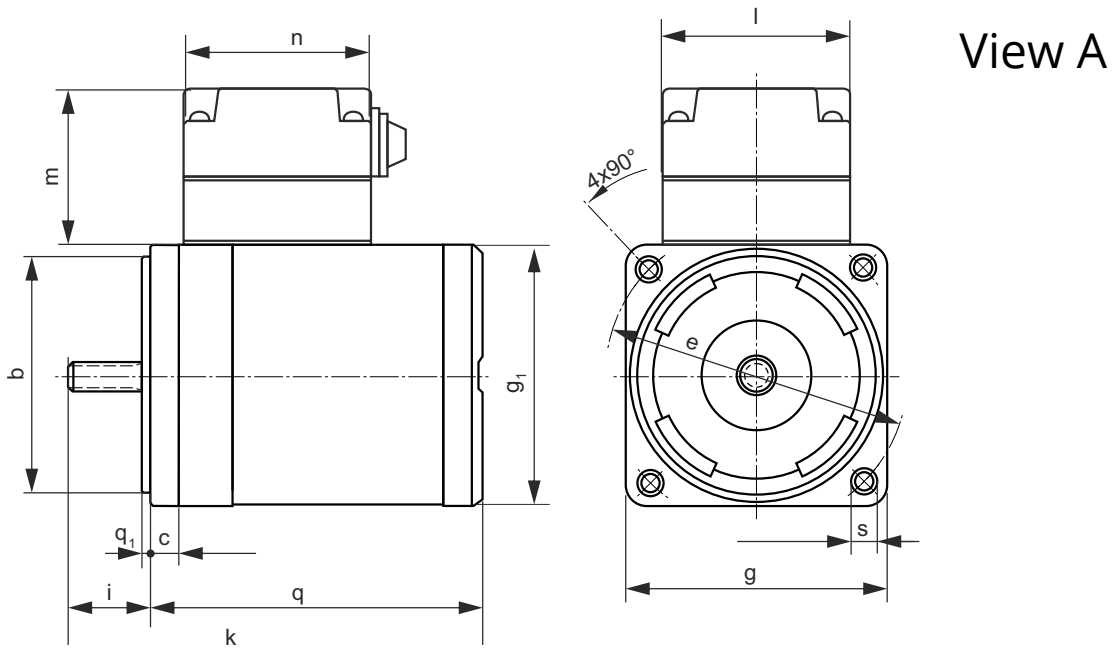
Operating mode:

S1 continuous operation

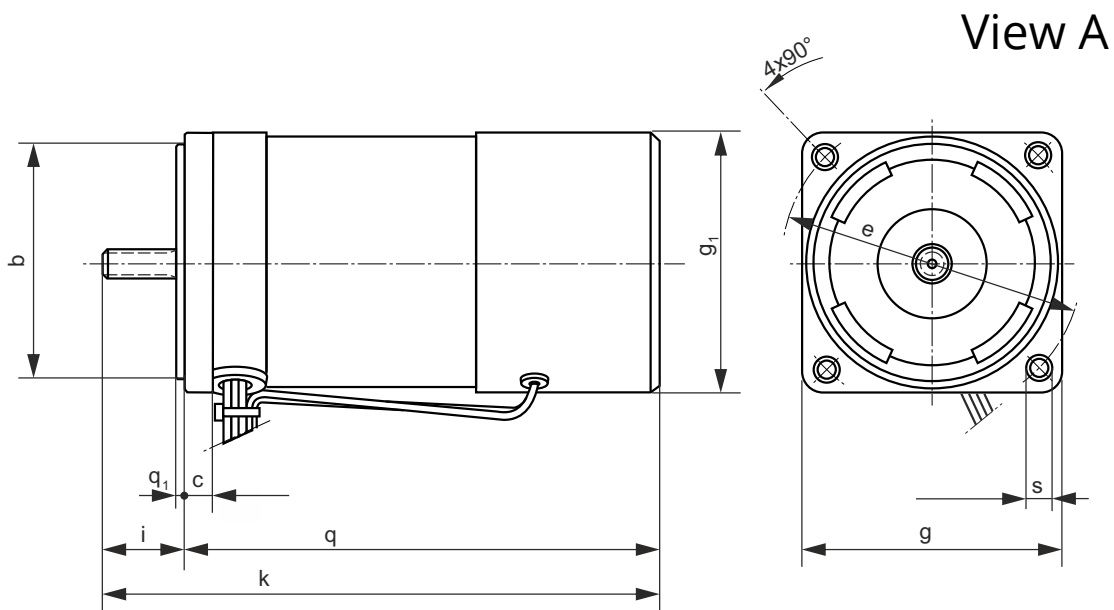
		Motor type-no.				
		SG8I25GT-EA	SG9I40GTH-EA	SG9I60GTH-EA	SG9I90GTH-EA	
Motor data	Output	[Watt]	25	40	60	90
	Weight	[kg]	1.86	2.74	2.9	3.4
	Rated current [A]	[A]	0.31	0.31	0.5	0.69
	Input power	[Watt]	59.5	75	111	154
	Rated speed	[1/min]	1350	1350	1350	1350
	Rated torque	[Nm]	0.18	0.28	0.42	0.64
	Starting current	[A]	0.76	1.2	1.7	2.3
	Starting torque	[Nm]	0.9	1.33	1.95	2.39
	Capacitor	[µF]	-	-	-	-
	Capacitor	[V]	-	-	-	-
	Type of protection	IP	IP 23	IP 23	IP 23	IP 23
	Insulation class		B	B	B	B
	Approvals		UL/cUL/CE/CCC	UL/cUL/CE/CCC	UL/cUL/CE/CCC	UL/cUL/CE/CCC
	Thermal switch		Yes	Yes	Yes	Yes
	Braking current	[A]	-	-	-	-
Brake input power	[W]	-	-	-	-	
Brake holding torque	[Nm]	-	-	-	-	

Technical features

Motor dimensions 6 and 15 W



1-phase													
Motor type	b	c	e	g	g ¹	i	k	q	q ¹	s	l	m	n
SG6□6GB-TA	54	6.5	70	60	59.5	15.2	90.2	75	2	4.5	-	-	-
SG7□15GB-TA	64	6.5	82	70	69	16.8	96.8	80	2	6.5	-	-	-

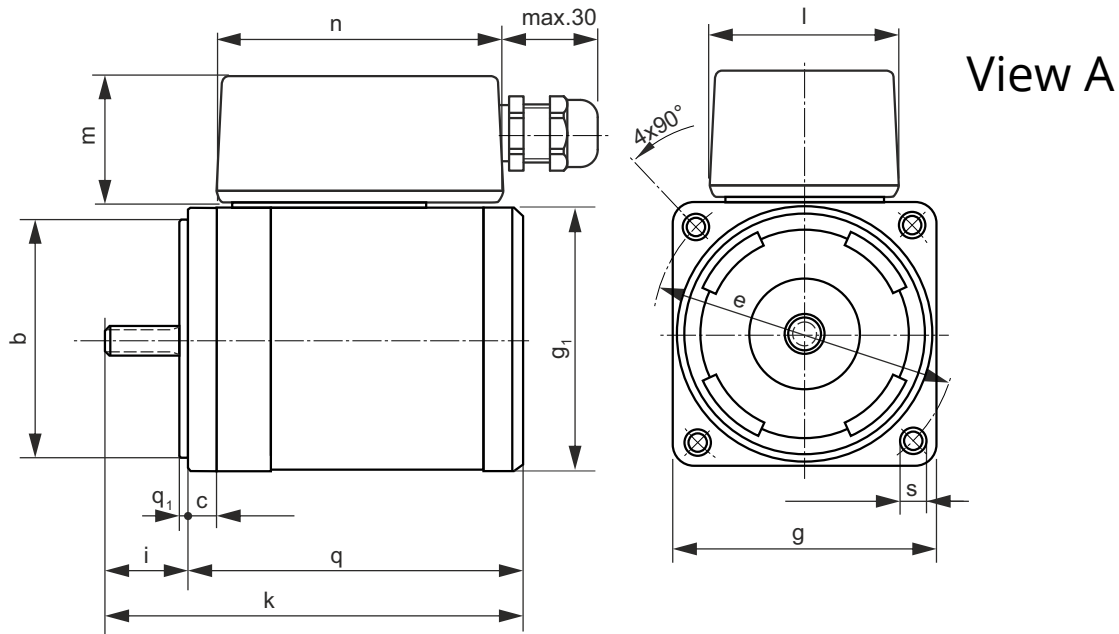


1-phase brake motors													
Motor type	b	c	e	g	g ¹	i	k	q	q ¹	s	l	m	n
SG6R6GB-EA	54	6.5	70	60	59.5	15.2	126.7	111.5	2	4.5	-	-	-
SG7R15GB-EA	64	6.5	82	70	69	16.8	133.3	116.5	2	5.5	-	-	-

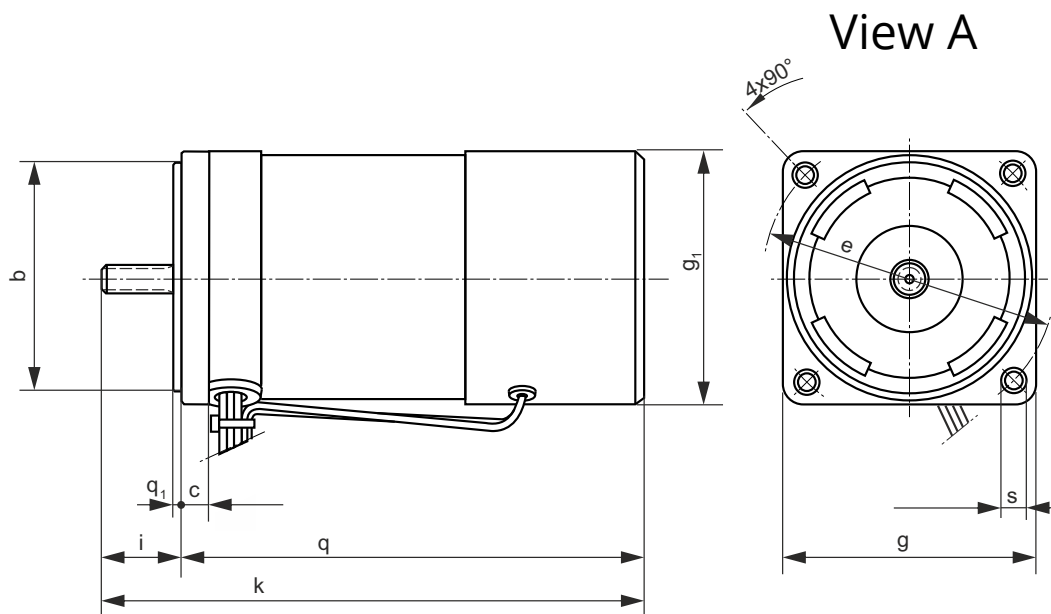
All dimensions in mm

Technical features

Motor dimensions 25 and 40 W



1-phase, 3-phase motors													
Motor type	b	c	e	g	g ¹	i	k	q	q ¹	s	l	m	n
SG8I25G□□-TA	73	6	94	80	79.5	18	103	85	2	6.5	62.5	43	76
SG9I40G□□-TA	83	6	104	90	87.5	21.1	126.1	105	2	8.5	62.5	43	76

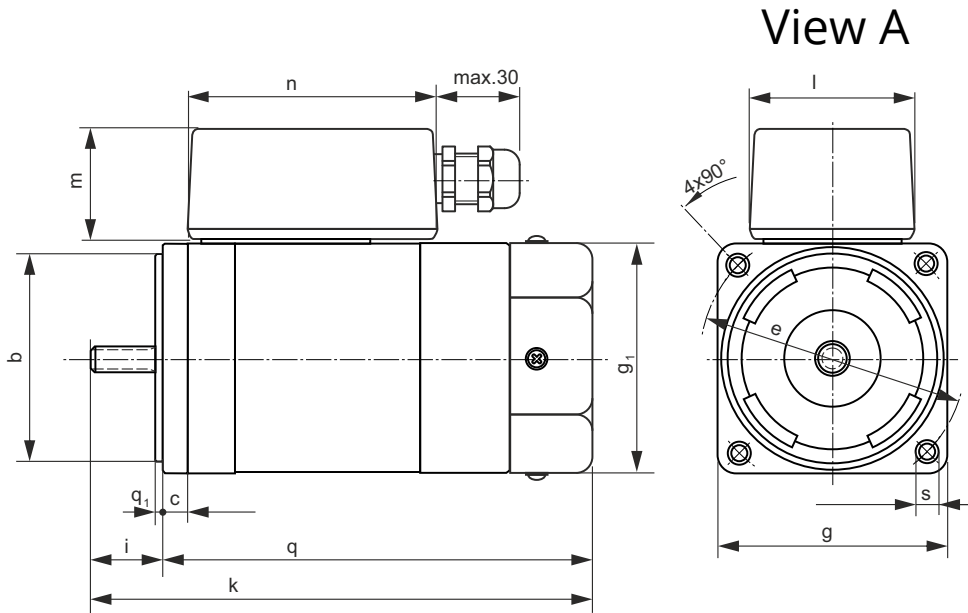


1-phase and 3-phase brake motors													
Motor type	b	c	e	g	g ¹	i	k	q	q ¹	s	l	m	n
SG8□25G□□-EA	73	6	94	80	79.5	18	141.5	123.5	2	6.5	-	-	-
SG9□40G□□-EA	83	6	104	90	87.5	21.1	164.5	143.5	2	8.5	-	-	-

All dimensions in mm

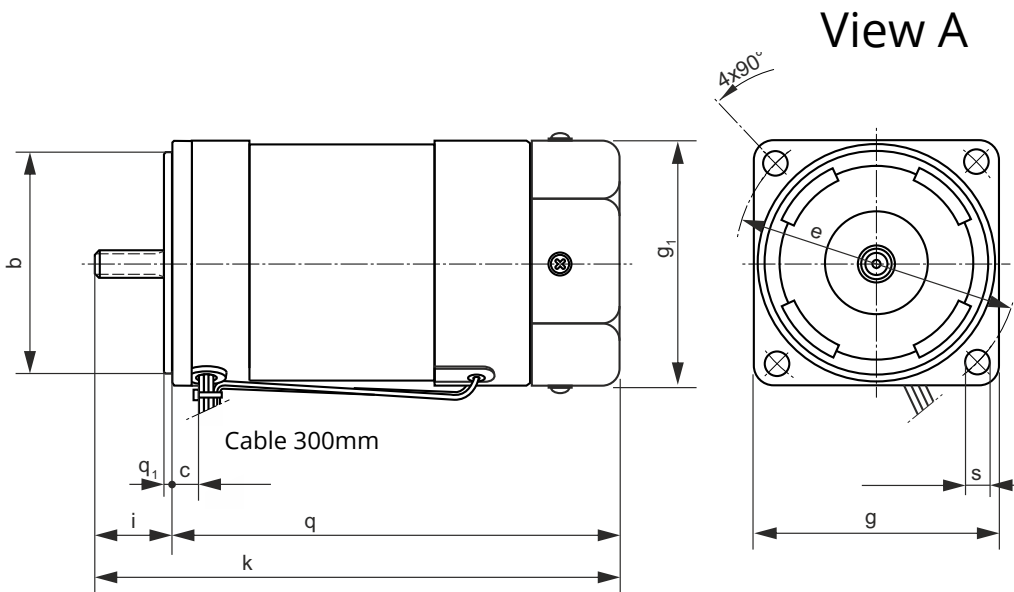
Technical features

Motor dimensions 60 and 90 W



1-phase, 3-phase motors

Motor type	b	c	e	g	g ¹	i	k	q	q ¹	s	l	m	n
SG9I60G□H-TA	83	6	104	90	90	21.1	143.9	122.8	2	8.5	62.5	43	76
SG9I90G□H-TA	83	6	104	90	90	21.1	158.9	137.8	2	8.5	62.5	43	76



1-phase and 3-phase brake motors

Motor type	b	c	e	g	g ¹	i	k	q	q ¹	s	l	m	n
SG9□60G□H-EA	83	6	104	90	90	21.1	184.4	163.3	2	8.5	-	-	-
SG9□90G□H-EA	83	6	104	90	90	21.1	199.4	178.3	2	8.5	-	-	-

All dimensions in mm

Technical features

Gearbox data

		Gearbox type					
		S6DAxxxB1	S7KAxxxB1	S8KAxxxB1	S9KBxxxB1	S9CxxxBH	S9CxxxBH-S
Gearbox data	Output	[Watt]	6	15	25	40	60
	Size	[mm]	60	70	80	90	90
	Ratio [Nm]*	3	0.12	0.31	0.52	0.81	1.19
		5	0.20	0.53	0.87	1.35	1.99
		7.5	0.31	0.79	1.31	2.03	2.99
		10	0.42	1.06	1.74	2.69	3.97
		12.5	0.53	1.32	2.19	3.37	4.47
		15	0.63	1.59	2.62	4.05	5.37
		18	0.76	1.90	3.15	4.86	6.44
		20	0.76	1.90	3.15	4.86	7.15
		25	0.95	2.37	3.90	6.09	8.09
		30	1.14	2.85	4.72	7.30	9.70
		36	1.36	3.42	5.66	8.76	11.66
		50	1.71	4.28	6.29	9.80	16.17
		60	2.06	4.90	7.12	9.80	19.40
		75	2.57	4.90	7.84	9.80	19.60
		90	2.94	4.90	7.84	9.80	19.60
		100	2.94	4.90	7.84	9.80	19.60
		120	2.94	4.90	7.84	9.80	19.60
		150	2.94	4.90	7.84	9.80	19.60
150	2.94	4.90	7.84	9.80	19.60		
200	2.94	4.90	7.84	9.80	19.60		

*Nominal torque

		Gearbox type			
		S9KDxxxB	S9CxxxBH	S9CxxxBH-S	S9KDxxxBH-S
Gearbox data	Output	[Watt]	60	90	60
	Size	[mm]	90	90	90
	Ratio [Nm]*	3	Gearboxes with a high torque are only available with a high ratio.	1.78	Gearboxes with a high torque are only available with a high ratio.
		5		2.98	
		7.5		4.47	
		10		5.96	
		12.5		6.70	
		15		8.05	
		18		9.66	
		20		10.78	
		25		12.15	
		30		14.60	
		36	17.44		
		50	16.17	19.40	24.32
		60	19.40	19.60	29.13
		75	21.67	19.60	29.42
		90	26.09	19.60	29.42
		100	28.93	19.60	29.42
		120	29.42	19.60	29.42
		150	29.42	19.60	29.42
180	29.42	19.60	29.42		
200	29.42	19.60	29.42		

*Nominal torque

Technical features

Gearbox data – Transmission ratio/efficiency

		Gearbox type																
		S6DAxxxB1				S7KAxxxB1			S8KAxxxB1			S9KBxxxB1			S9KCxxxBH□			
		60		70		80			90			90						
Size	[mm]	0.24	0.30	0.33	0.38	0.47	0.52	0.43	0.57	0.61	0.73	1.03	1.13	1.21	1.30	1.40	1.45	
Weight	[kg]																	
Gearbox data	Ratio	3																
		5																
		7.5																
		10																
		12.5																
		15																
		18																
		20																
		25																
		30	73%															
		36																
		50																
		60																
		75																
		90																
		100																
120																		
150																		
180																		
200																		

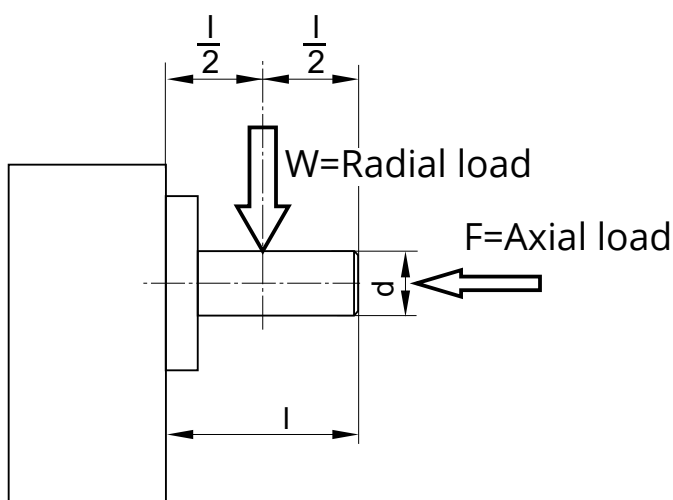
		Gearbox type										
		S9KDxxxB				S6GX10B	S7GX10B	S8GX10B	S9GX10BH	S9GX10BH-S		
		Ball bearing				Decimal gearbox						
Size	[mm]	90				60	70	80	90	90		
Weight	[kg]	1.65	1.80	1.90	1.95	0.47	0.52	0.43	0.57	0,61		
Gearbox data	Ratio	3										
		5										
		7.5										
		10										
		12.5										
		15										
		18										
		20										
		25										
		30	66%									
		36										
		50										
		60										
		75										
		90										
		100										
120												
150												
180												
200												

Technical features

Axial and radial loads

The radial force defines the size of the bending force active half way along the output shaft.

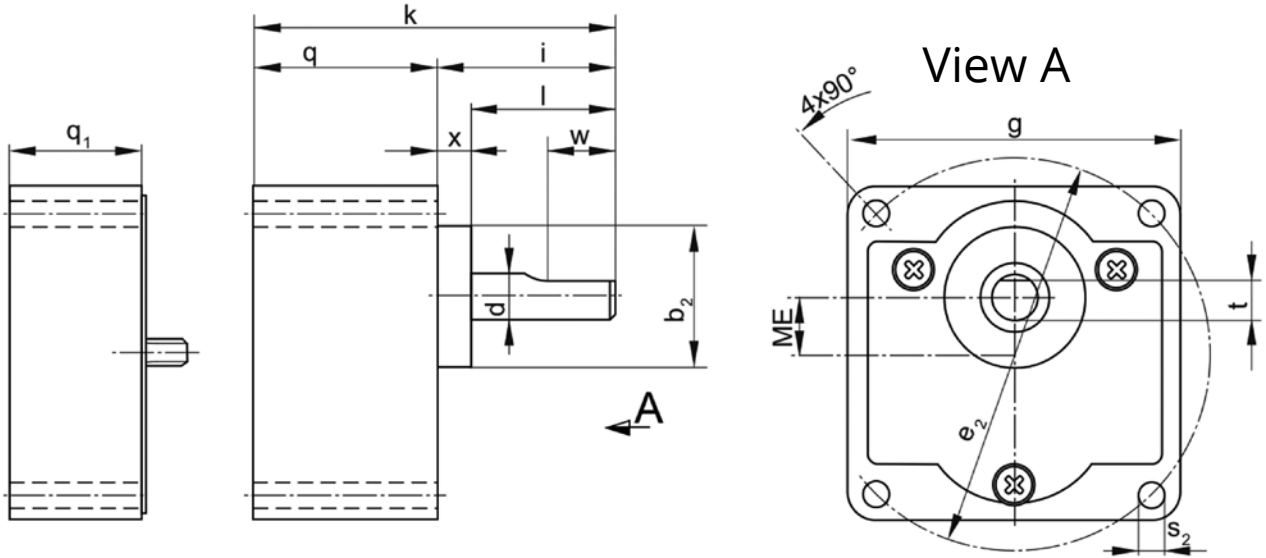
The bending force occurs particularly in belt and chain drives. Low bending forces occur in applications with flexible couplings. Axial and radial loads have a major influence on the service life of the gearbox. The loads shown in the table below are maximum values and must not be exceeded – however, they can occur simultaneously.



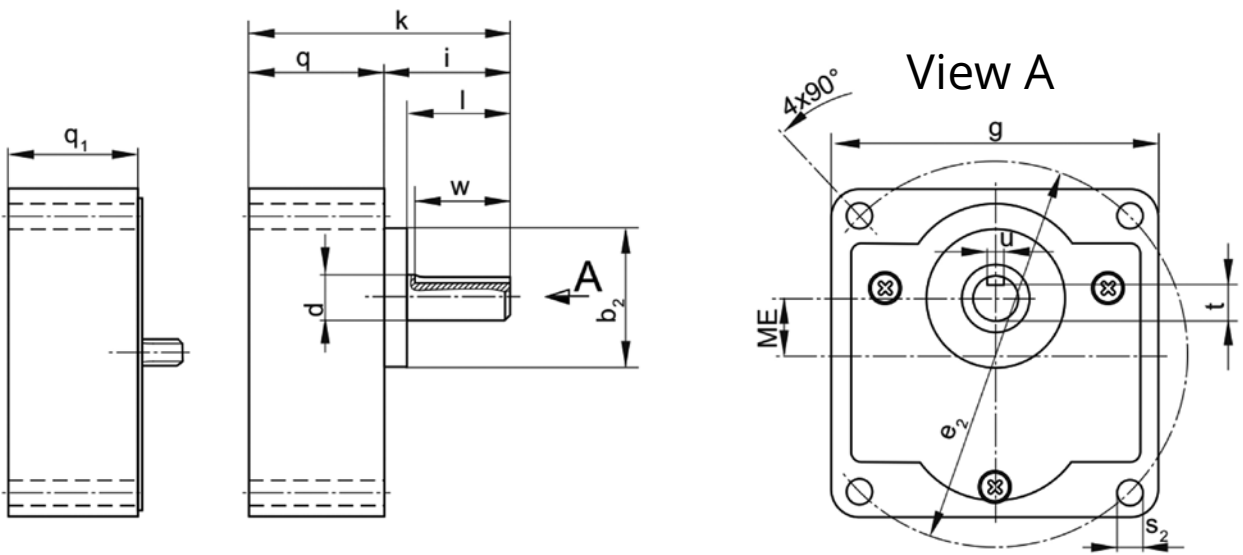
Ball bearing gearbox		Gear ratio	Max. output torque [Nm]	Max. axial load [N]	Max. radial load [N]
Dimension	Type				
60x60 mm	S6DAxxxB1	3~18	0.1~0.6	30	60
		20~180	0.6~3		150
70x70 mm	S7KAxxxB1	3~18	0.3~1.8	40	100
		20~180	2.0~5.0		200
80x80 mm	S8KAxxxB1	3~18	0.2~2.5	50	120
		20~180	3.0~8.0		240
90x90 mm	S9KBxxxB1	3~18	0.4~4.0	100	300
		20~180	4.0~10.0		370
90x90 mm	S9KCxxxBH S9KCxxxBH-S	3~10	0.8~4.0	150	450
		12.5~20	4.0~8.0		520
		25~60	5.0~200		600
		75~200			600
90x90 mm	S9KDxxxBH	50~200	1.8~30		550

Technical features

Gearbox dimensions



Gearbox type	a	b	a ₁	b ₁	b ₂	c ₁	c ₂	e ₂	g	k ⁽¹⁾	q ⁽¹⁾	q ₁ ⁽²⁾	i	s ₂	ME	x	d	l	t	u	w	Decimal gearbox
S6DA□□□B1	-	-	-	-	25	-	-	70	60	62 (72)	30 (40)	26	32	4,5	10	3	8	29	7	-	12	S6GX10B



Gearbox type	a	b	a ₁	b ₁	b ₂	c ₁	c ₂	e ₂	g	k ⁽¹⁾	q ⁽¹⁾	q ₁ ⁽²⁾	i	s ₂	ME	x	d	l	t	u	w	Decimal gearbox
S7KA□□□B1	-	-	-	-	30	-	-	82	70	64 (74)	32 (42)	30	32	5.5	15	3	10	29	7.5	4	25	S7GX10B
S8KA□□□B1	-	-	-	-	34	-	-	94	80	64 (74)	32 (42)	32	32	5.5	15	3	10	29	7.5	4	25	S8GX10B
S9KB□□□B1	-	-	-	-	36	-	-	104	90	74 (92)	42 (60)	37	32	6.5	18	3	12	29	9.5	4	25	S9GX10BH
S9KC□□□BH	-	-	-	-	34	-	-	104	90	103.5	66.5	40	38	6.5	18	7	15	31	12	5	25	S9GX10BH-S

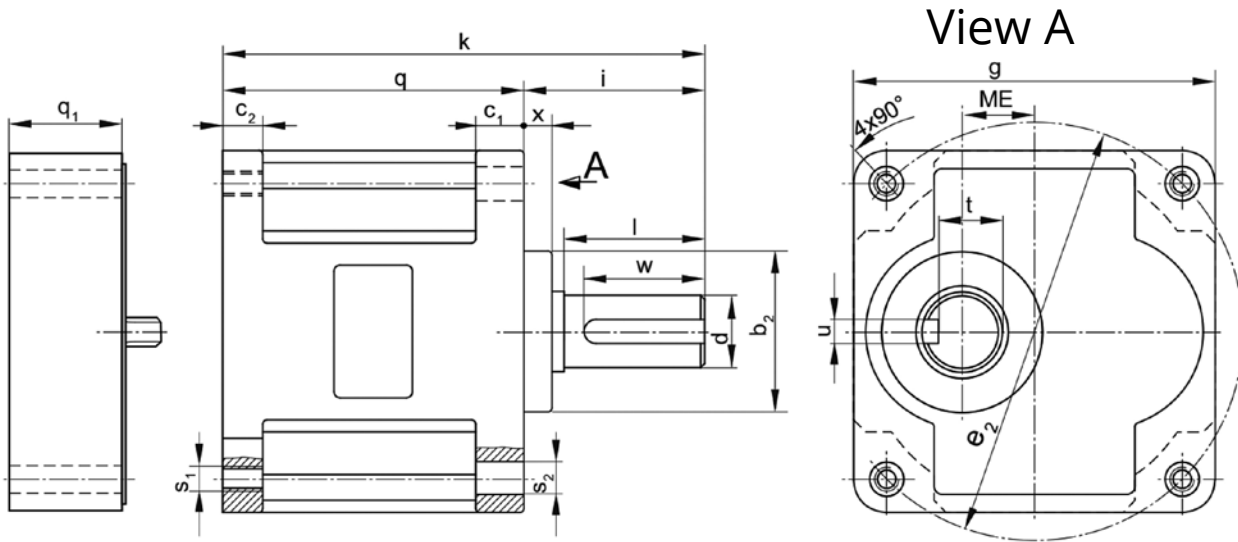
All dimensions in mm

(1) The values shown in brackets relate to ratios of 20:1 or higher

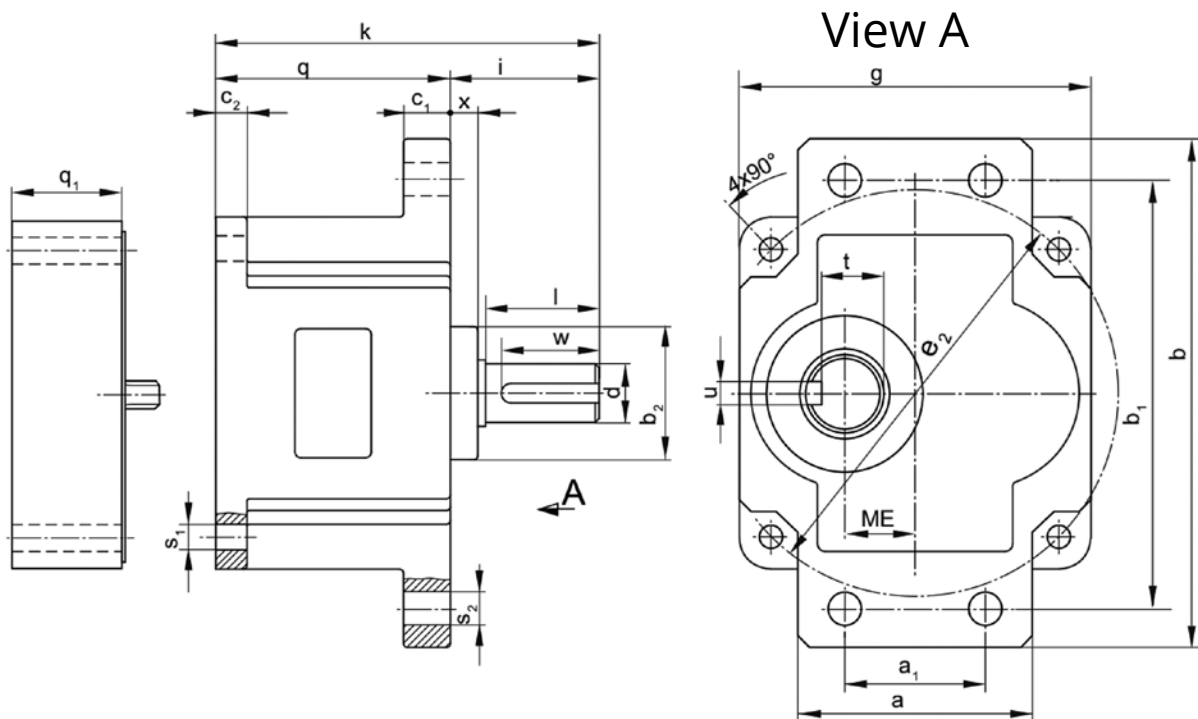
(2) Extension, decimal gearbox

Technical features

Gearbox dimensions



Gearbox type	a	b	a ₁	b ₁	b ₂	c ₁	c ₂	e ₂	g	k	q ⁽¹⁾	q ₁ ⁽²⁾	i	s ₁	s ₂	ME	x	d	l	t	u	w	Decimal gearbox
S9KD□□□B	-	-	-	-	40	12	10	104	90	127	85	40	42	M6	8.5	18	7	18	35	14.5	5	27.5	S9GX10BH-S



Gearbox type	a	b	a ₁	b ₁	b ₂	c ₁	c ₂	e ₂	g	k ⁽¹⁾	q ⁽¹⁾	q ₁ ⁽²⁾	i	s ₂	ME	x	d	l	t	u	w	Decimal gearbox
S9KC□□□BH-S	60	130	36	110	34	12	7.5	104	90	103.5	65.5	40	38	8.5	18	7	15	31	12	5	25	S9GX10BH-S

All dimensions in mm

(1) The values shown in brackets relate to ratios of 20:1 or higher

(2) Extension, decimal gearbox

Type code

Motor and gearbox

Motor	SG	9	I	15	G	T	H	-	T	A
	SG Series	6: □60 8: □80 9: □90	I: Induction Motor	6: 6W 15: 15W 25: 25W 40: 40W 60: 60W 90: 90W*			H: Heat treated pinion (40-90W)		E: Brake motor T: Terminal box type	A: Pinion to fit S Series Gearbox
					G: Gear shaft (pinion) S: Straight shaft D: D-Cut shaft K: Keyed shaft (25W & above)					

A: 1Φ 100-115V
B: 1Φ 200-230V
T: 3Φ 200-230V
S: 3Φ 380-440V

* Powers 120-200W available with S Series Motors

Order example:
25W 1-phase 230V brake motor with terminal box.
M8RX25GR4GG1

Gearbox	S	9	K	C	15	B	H	-	S
	S: Helical	6: □60 7: □70 8: □80 9: □90		Ratio (3-200:1) A: 6-25W B: 40W C: 60-90W (std torque) D: 60-90W (high torque)		B: All ball bearing (60-90W) B1: All ball bearing (6-40W)	H: Heavy Impact (40-90W)*		S: Flanged (No H/T version available)
			S: Straight shaft D: D-cut shaft K: Keyed shaft						

* Std 29.4Nm, 40Nm available with SG Series gearbox

Order example:
60W square flange with i = 50
S9KC50BH-S

Intermediate gearbox/ Decimal gearbox (additional data for speeds of 7.5 rpm or lower)	S	9	G	X	10	B	H	-	S
	S: Helical	6: □60 7: □70 8: □80 9: □90					Blank 6W-25W H: 40W-90W		S: 60W & 90W only

Order example:
90W Intermediate gearboxes
S9GX10BH-S

Type code

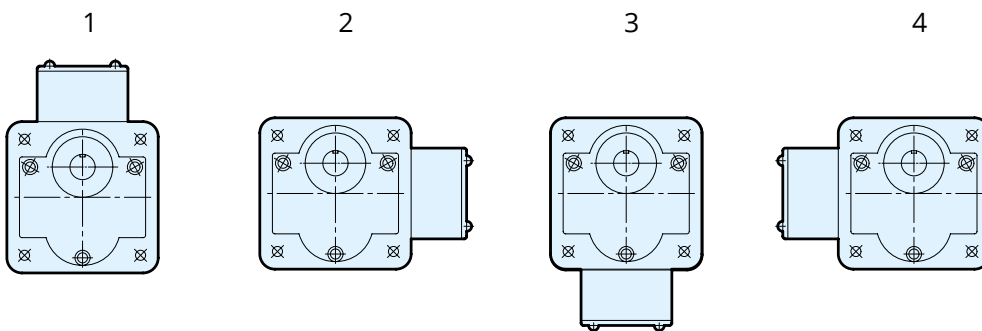
Geared motor module

SPG	SG	0	9	0	I	G	B	5	0	0	0	C	S	T	1	
		Motor Power: 006 015 025 040 060 090						Nominal Speed: 500.0 300.0 200.0 150.0 100.0 075.0 060.0 050.0 030.0 020.0 015.0 012.5 010.0 008.3 007.5 006.0 005.0 003.0 002.0 001.5 001.3 001.0 000.8						Mounting Position: 1 2 3 4		
					Motor Type: IGB 1ph 230V IGT 3ph 230V IGS 3ph 400V						Design: T: Terminal Box* E: Braked *not available on brake motor					
								Gearbox Type A: Square (6-25W) B: 40W C: 60-90W square (std torque) D: 60-90W (high torque) CS: 60-90W flanged (std torque)								

Mounting position: electrical connection

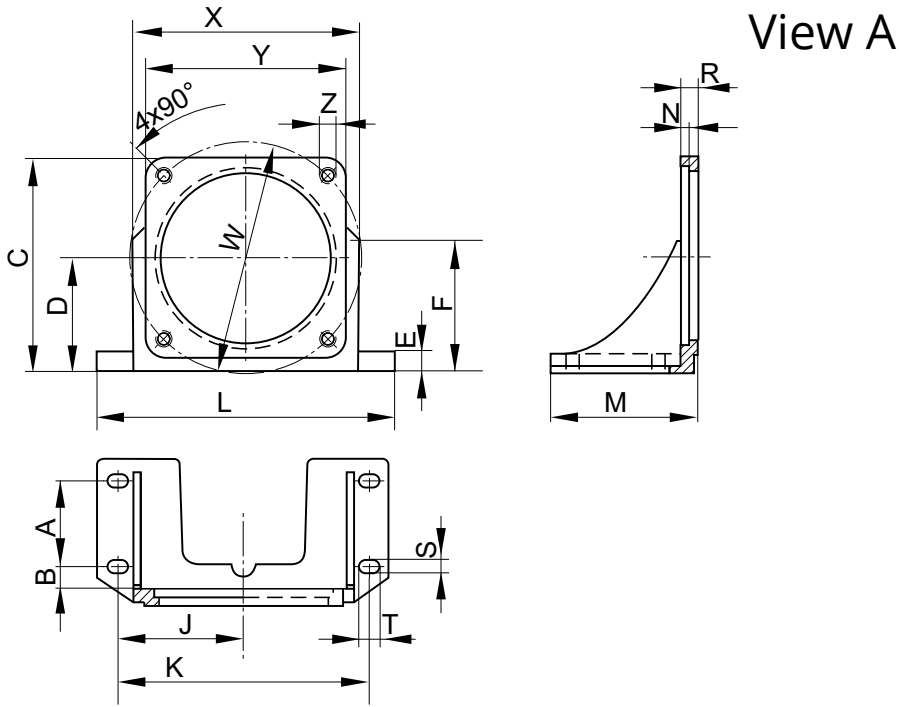
The geared motor is shown from the front in the drawings.

If nothing is specified in the purchase order, mounting position 1 will be delivered.



Accessories

Feet options



Side fixing feet																		
	angle type	A	B	C	D	H	J	K	L	M	N	R	S	T	W	X	Y	Z
6 W	SPL-6A	25	9			8	41	82	100	50	3	6	4.5	7.5	70	68	61	M4
15 W	SPL-7A	30	9	78.5	43	8	46	92	110	55	3	7	4.5	7.5	82	78	71	M5
25 W	SPL-8A	35	9	88.5	48	9	56	102	120	60	3	7	5.5	8.5	94	90	81	M5
40-90 W	SPL-9A	40	9	98.5	53	9	56	112	130	65	3	8	6.5	9.5	104	100	91	M6
60-90W (std)	SPL-9SA	40	8	112	66	9	64	128	146	65	3	9	6.5	9.5	104	112	92	M6
60-90W (H/T)	SPL-9SB	40	8	112	66	9	64	128	146	65	3	9	6.5	9.5	104	112	92	M8

All dimensions in mm

Accessories

Couplings

General information

Couplings usually connect the drive and output end and allow the transmission of torque whilst simultaneously compensating for any misalignment.

Functions of couplings

Couplings may have different tasks and assume different functions depending on their type and design. The main functions of couplings are:

- Connect the drive end and output end (e.g. two shafts)
- Transmit torque (i.e. drive power at a certain speed)
- Compensate for shaft misalignments
- Damp vibrations
- Fast installation
- Reduction of restoring forces
- Protect the drive train

Types of couplings

One can differentiate between four main categories of coupling.



Rigid couplings
(backlash-free)

Torsionally flexible couplings
(backlash-free or
not backlash-free)

Torsionally rigid couplings
(backlash-free or not backlash-free)

Highly flexible couplings
(not backlash-free)

For applications with our SPG SG Series geared motors, torsionally flexible couplings are normally used. We will be pleased to dimension the ideal coupling for your application.

Accessories

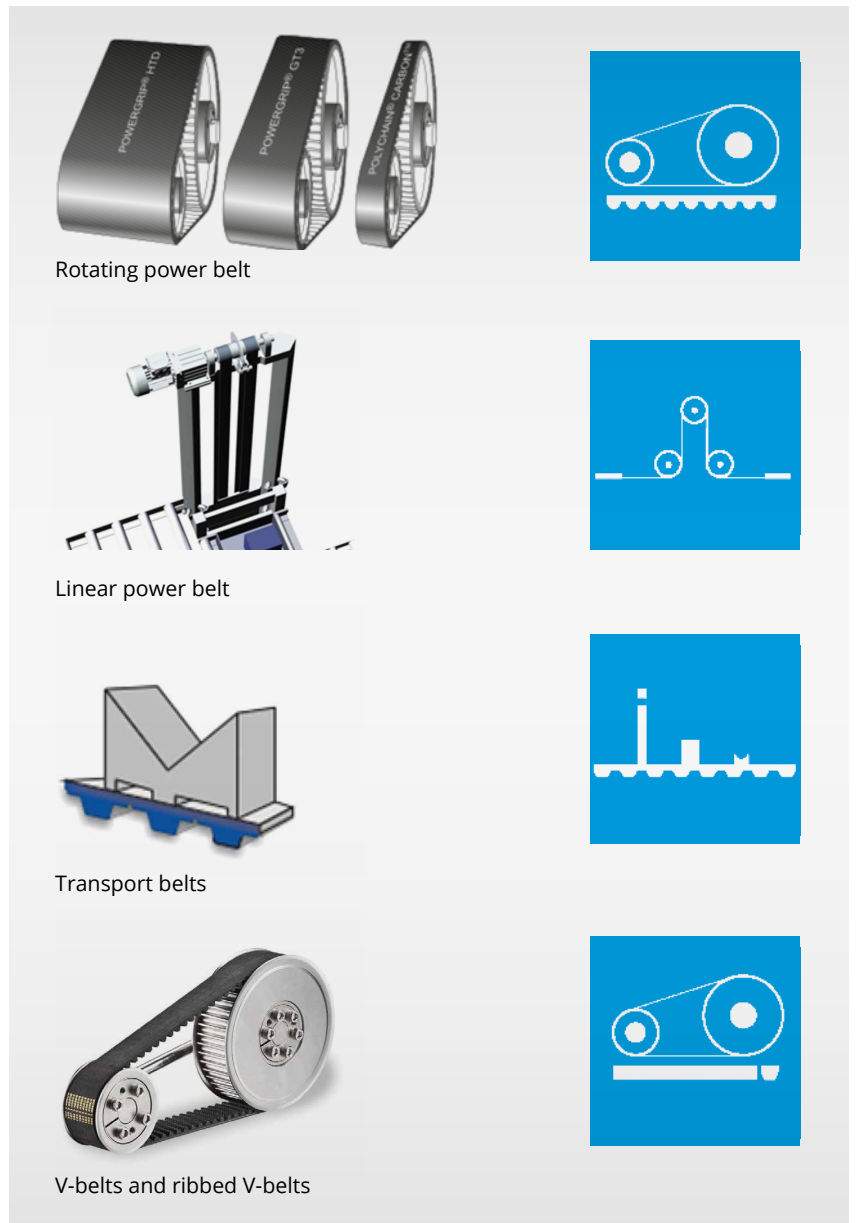
Belts

General information

A high degree of cost-effectiveness, maintenance-free nature and low-noise running - there are many good reasons to opt for a belt drive.

Toothed belt drives ensure a positive-fit, absolutely synchronous and slip-free powertransmission. The efficiency is around 98%. V-ribbed belt drives transmit the force/torque with an efficiency of around 95% in a frictionally engaged fashion.

Different belts with different tension members are used depending on the type of application, the power to be transmitted and the ambient conditions. Our application technicians provide professional support when it comes to selecting and dimensioning the best belt drive for your machine.



Types of belts

Accessories

Locking assemblies

General information

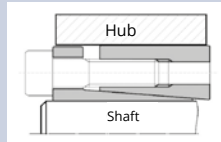
Locking assemblies (mechanical clamping assemblies, hydraulic locking bushes) are used for the force-fit/friction-fit and backlash-free transmission of torque and axial forces between shafts and hubs. Increases in productivity and reductions in set-up times and standstills are two important factors today. The choice of the correct shaft-hub connection is thus crucial.

Details and more information about mechanical locking elements are available on our website at:

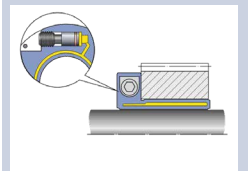
www.lenze-selection.com

Mechanical clamping assemblies (internal clamping assemblies)

Are positioned between the cleaned shaft and hub. Two tapered faces are pressed against each other by tightening the clamping screw. This results in a friction-locked connection between clamping set and shaft and between clamping set and hub.



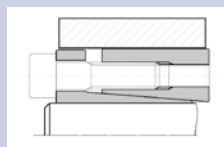
Hydraulic locking bushes



Hydraulic locking bushes are double-walled steel sleeves that contain a hydraulic medium. Pressure is exerted on the medium by tightening the pressure screw(s). This results in a uniform expansion of the steel sleeve against the shaft and hub. This results in a frictionally engaged shaft/hub connection.

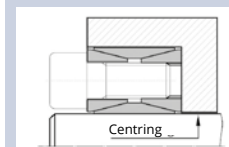
Self-centring

Shaft and hub are centred in relation to each other by means of a clamping set. Additional centring of the hub is not necessary.



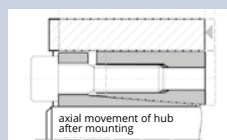
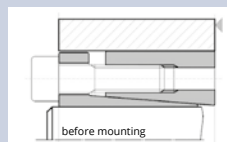
Not Self-centring

Centring between shaft and hub necessary



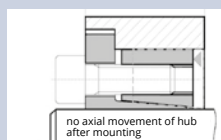
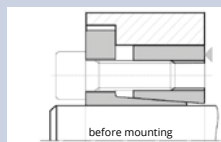
With axial hub movement ...

... during mounting of the clamping set. Catalogue values are applicable if hub can be displaced freely.



Without axial hub movement ...

... during mounting of the clamping set.



Lenze

SELECTION

This document is the intellectual property of Lenze SE, Hamelin (Germany). All details and information included in this brochure are correct based on the information available at the time of publishing and serve only to provide preliminary information. Potential colour deviations from the original product are due to the printing process. Lenze is the sole and exclusive owner of the copyright and the intellectual property rights. Any use of this document, in particular dissemination, reprinting or adapting, it is only permitted following express written approval by Lenze.