

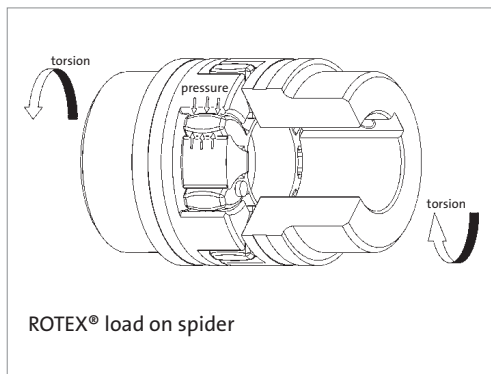
The all-rounder with a new heart.



The ROTEX® is one of the most commonly used drive elements in the world today. Its name is synonymous with shaft couplings for power transmission that damps torsional vibration. And with its innovative heart – the T-PUR® spider – it now runs even longer. It possesses excellent mechanical properties and delivers top performance even in the harshest environments.

Highlights

- Innovative T-PUR® spiders
- Compact and light
- Low moments of inertia
- Rated torque up to 35,000 Nm
- Operative range from -50 °C to +120 °C, in individual cases up to +150 °C
- Large number of different variants; also available as a rust-free model



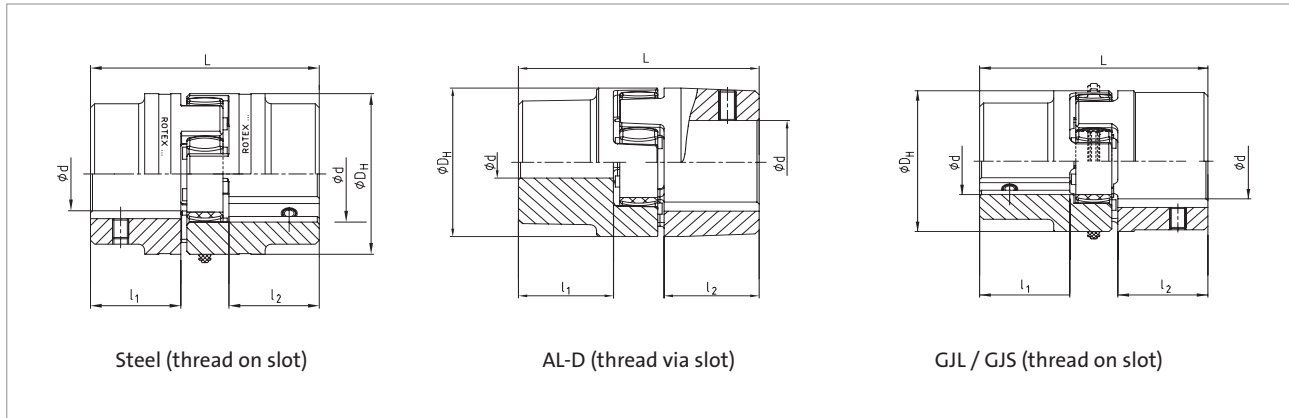
ROTEX® – Design 001

Torsionally flexible shaft coupling

Structure/function

ROTEX® couplings are torsionally flexible and facilitate positive-fit, puncture-proof torque transmission. Vibrations are reliably damped and dissipated. In contrast to other flexible couplings, the internal ring gears are not subjected to bending loads, but instead to compressive loading.

This allows the individual teeth to withstand greater loads. The new T-PUR® ring gear material also provides a particularly long service life and excellent thermal endurance. This allows maintenance intervals to be extended, which in turn allows costs to be reduced.



ROTEX® – Design 001 technical specifications and main dimensions

Size	finished bore min/max.	Torque		Speed max.	Dimensions		
		T _{KN} for 95/98Sh-A steel/cast metal [Nm]	T _{KW} for 95/98Sh-A steel/cast metal [Nm]		Steel/cast metal [rpm]	D _H Steel/cast metal [mm]	L [mm]
14	0 ... 16 / 6 ... 16	12.5	3.3	25,400 / 22,200	30 / 30	35	11
19	0 ... 25 / 6 ... 24	17	4.4	19,000 / 16,700	40 / 41	66	25
24	0 ... 35 / 9 ... 28	60	16	13,800 / 12,100	55 / 56	78	30
28	0 ... 40 / 10 ... 38	160	42	11,500 / 10,100	65 / 66	90	35
38	0 ... 48 / 12 ... 48	325	85	9,500 / 8,300	80 / 80	114	45
42	0 ... 55 / 14 ... 55	450	117	8,000 / 7,000	95 / 95	126	50
48	0 ... 62 / 15 ... 62	525	137	7,250 / 6,350	105 / 105	140	56
55	0 ... 74 / 20 ... 74	685	178	6,350 / 5,500	120 / 120	160	65
65	0 ... 80 / 22 ... 70	940	244	5,650 / 4,950	135 / 135	185	75
75	0 ... 95 / 30 ... 80	1,920	499	4,750 / 4,150	160 / 160	210	85
90	0 ... 110 / 40 ... 97	3,600	936	3,800 / 3,300	200 / 200	245	100
100 1)	- / 50 ... 115	4,950	1,287	- / 2,950	- / 225	270	110
110 1)	- / 60 ... 125	7,200	1,872	- / 2,600	- / 255	295	120
125 1)	- / 60 ... 145	10,000	2,600	- / 2,300	- / 290	340	140
140 1)	- / 60 ... 160	12,800	3,328	- / 2,050	- / 320	375	155
160 1)	- / 80 ... 185	19,200	4,992	- / 1,800	- / 370	425	175
180 1)	- / 85 ... 200	28,000	7,280	- / 1,550	- / 420	475	195

1) Available as standard in GJS

T_{KN} ... Rated torque

T_{KW} ... Alternating torque

AL-D ... Aluminium die-cast (size 14 to 28)

GJL ... Cast iron (size 38 to 90)

GJS ... Ductile cast iron (size 100 to 180)

We are happy to help and advise you with your individual dimensioning requirements.