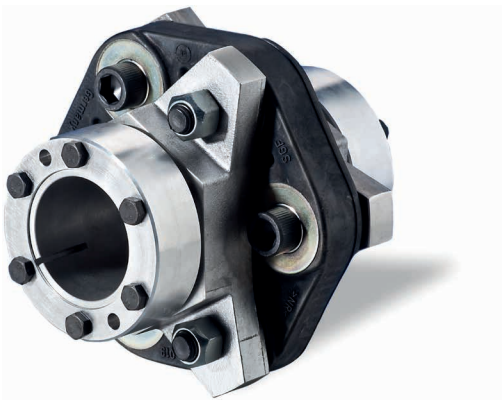


Maintenance-free, wear-free and extremely flexible.



HexaFlex are not only robust and maintenance-free, but also extremely flexible. They are ideally suited for compensating misalignments or shaft displacements in the drive train: Impact loads and critical vibrations are reliably compensated. Replacing the cardan disc is particularly easy when using this shaft coupling. Replacing the cardan disc is particularly easy when using this shaft coupling.

Highlights

- Compensates for shaft misalignments axially - radially - angularly
- Standard torque transmission up to 2,250 Nm
- Cushions jolts and vibrations in the direction of rotation
- Maintenance-free
- Force-fit, wear-free connection through use of high-strength screws
- Very easy to replace the cardan discs

HexaFlex

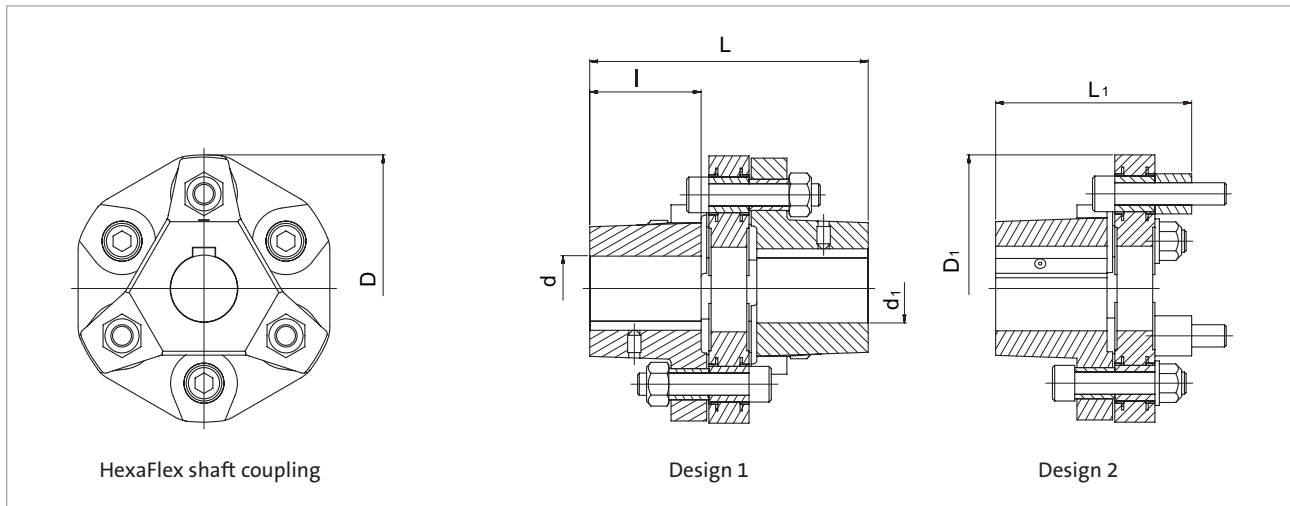
Torsionally flexible shaft coupling

Structure/function

HexaFlex shaft couplings provide a fixed connection between the input and output shaft – as with a cardan joint. The two symmetrical hubs inside the coupling are connected to one another using a cardan disc. This cardan disc cushions jolts and vibrations, thereby allowing axial, radial and angular shaft misalignments to be optimally compensated for.

Steel sockets reinforce the cardan discs at the connection points. High-strength screws provide a force-fit and wear-free connection of the hubs to the cardan disc.

The cardan discs are particularly easy to fit and remove without axial displacement.



HexaFlex technical specifications and main dimensions

Size	Min/max. finished bore d/d ₁ [mm]	Torque		Max. speed [rpm]	Dimensions					
		T _{KN} [Nm]	T _{KW} [Nm]		D [mm]	D ₁ [mm]	L [mm]	L ₁ [mm]	l [mm]	
	with NnD 6885/1	Design 1	Design 2							
32	14 ... 32	100	100	200	7,100	101	100	103	76	40
38	19 ... 38	200	200	270	6,400	120	118	125	88	50
48	22 ... 48	350	350	400	5,200	143	145	136	93.5	55
60	24 ... 60	800	800	600	4,500	162	170	198	137	80
70	30 ... 70	1,200	1,100	700	3,800	195	200	232	155.5	95
98	40 ... 95	2,250	2,250	1,500	2,700	244	250	286	198	120

T_{KN} ... Rated torque
T_{KW} ... Alternating torque

We are happy to help and advise you with your individual dimensioning requirements.