

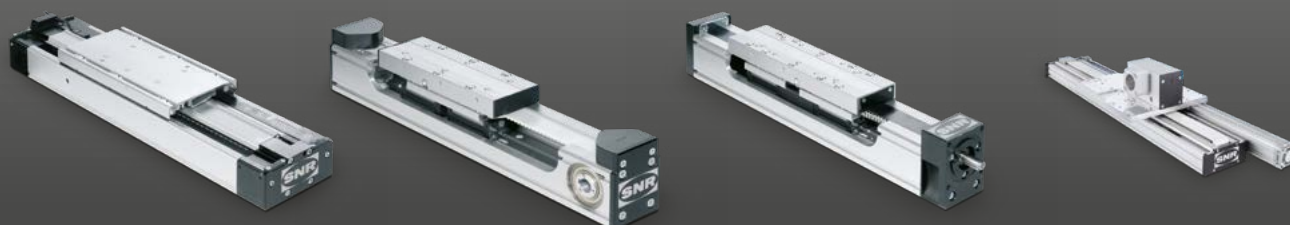
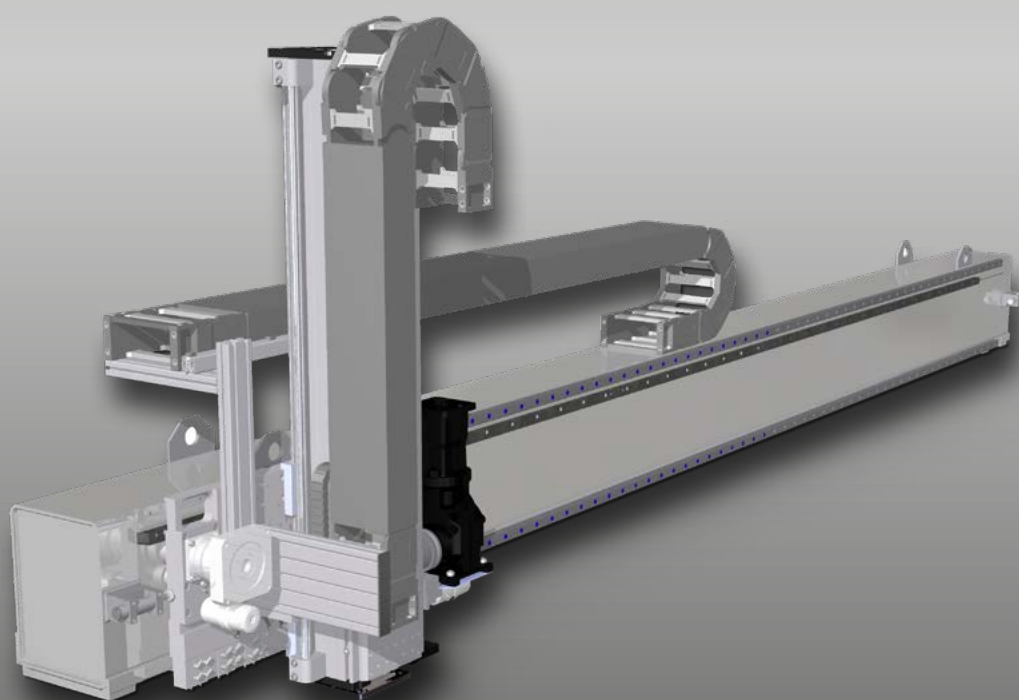
OPERATING MANUAL **LINEAR AXIS** BETRIEBSANWEISUNG **LINEARACHSEN**



www.ntn-snr.com



With You



Manufacturer / Hersteller

SNR WÄLZLAGER GMBH

Friedrich-Hagemann-Straße 66

D-33719 Bielefeld

Tel.: +49 (0) 521 924 00 112

email: linear.motion@ntn-snr.com



www.ntn-snr.com/documents/linear



Table of contents

1. ___ System technology	GB 5
1.1 ___ Definition.....	GB 5
1.2 ___ Declaration of incorporation for partly completed machinery (Machinery directive 2006/42/EG) . . .	GB 5
1.3 ___ Safety instructions	GB 6
1.4 ___ Intended use	GB 6
1.5 ___ Coordinate system	GB 6
1.6 ___ Static load capacity	GB 7
1.7 ___ Life time	GB 7
1.7.1 ___ Dynamic load capacity / Nominal life time	GB 7
1.7.2 ___ Influence factors.	GB 7
1.8 ___ Rigidity	GB 8
1.9 ___ Dynamic operating load	GB 9
1.10 ___ Precision	GB 9
1.11 ___ Gearbox selection.	GB 10
1.11.1 ___ Maximum operation speed	GB 10
1.11.2 ___ Maximum acceleration torque	GB 10
1.11.3 ___ Nominal torque on the drive	GB 10
1.12 ___ Drive calculation.	GB 11
1.13 ___ Selection of Linear Axis with toothed belt drive for 90 ° tilt mounting (wall mounting)	GB 11
<hr/>	
2. ___ Mounting and Start-up	GB 12
2.1 ___ Transportation and storage	GB 12
2.2 ___ Design of the mounting surfaces / mounting tolerances	GB 12
2.3 ___ Mounting instruction	GB 14
2.4 ___ Mounting of parallel Linear Axis	GB 15
2.5 ___ Start-up of Linear Axis	GB 16
2.6 ___ Assembly of couplings on Linear Axis with toothed belt drive	GB 16
2.7 ___ Drive assembly.	GB 17
2.7.1 ___ Drive assembly on Linear Axis with toothed belt drive and coupling cone	GB 17
2.7.2 ___ Drive assembly on Linear Axis with toothed belt drive and planetary gearbox	GB 17
2.7.3 ___ Drive assembly on Linear Axis and Linear Tables with screw drive	GB 19
2.8 ___ Assembly of a deflection belt drive on Linear Axis and Linear Tables with screw drive	GB 20
2.9 ___ Mounting of Beam Program Axis for parallel use with rack and pinion drive	GB 22
<hr/>	
3. ___ Maintenance and lubrication	GB 24
3.1 ___ General information	GB 24
3.2 ___ Lubrication.	GB 24
3.3 ___ Lubricants	GB 24
3.4 ___ Lubrication methods	GB 26
3.4.1 ___ Manual grease guns	GB 26
3.4.2 ___ Automatic electro-mechanical lubricator DRIVE BOOSTER	GB 27
3.4.3 ___ Central lubrication system CONTROL BOOSTER	GB 27
3.5 ___ Lubrication points.	GB 28
3.6 ___ Amounts of lubricant.	GB 30
3.7 ___ Lubrication intervals	GB 33
3.8 ___ Brush wiper replacement	GB 35
3.9 ___ Cover strip replacement	GB 35
3.9.1 ___ Cover strip replacement for Linear Axis of the series AXC	GB 35
3.9.2 ___ Cover strip replacement for Linear Axis of the series AXDL	GB 37
3.10 ___ Wear part sets	GB 37

1. ___ Systemtechnologie	D 5
1.1 ___ Definitionen	D 5
1.2 ___ Einbauerklärung für eine unvollständige Maschine (Machinery directive 2006/42/EG)	D 5
1.3 ___ Sicherheitshinweise	D 6
1.4 ___ Bestimmungsgemäße Verwendung	D 6
1.5 ___ Koordinatensystem	D 6
1.6 ___ Statische Belastbarkeit	D 7
1.7 ___ Lebensdauer	D 7
1.7.1. _ Dynamische Belastbarkeit / nominelle Lebensdauer	D 7
1.7.2. _ Einflussfaktoren	D 7
1.8 ___ Steifigkeit	D 8
1.9 ___ Dynamische Betriebslast	D 9
1.10 ___ Präzision	D 9
1.11 ___ Getriebeauswahl	D 10
1.11.1. Maximale Betriebsdrehzahl	D 10
1.11.2. Maximales Beschleunigungsmoment	D 10
1.11.3. Nenndrehmoment am Antrieb	D 10
1.12 ___ Antriebsauslegung	D 11
1.13 ___ Auswahl von Linearachsen mit Zahnriemenantrieb für um 90° gekippte Montage (Wandmontage)	D 11
<hr/>	
2. ___ Montage und Inbetriebnahme	D 12
2.1 ___ Transport und Lagerung	D 12
2.2 ___ Gestaltung Montageflächen / Montagetoleranzen	D 12
2.3 ___ Montageanleitung	D 12
2.4 ___ Montage von parallelen Linearachsen	D 12
2.5 ___ Inbetriebnahme von Linearachsen	D 16
2.6 ___ Montage von Kupplungen an Linearachsen mit Zahnriementrieb	D 16
2.7 ___ Motormontage	D 17
2.7.1. _ Motormontage an Linearachsen mit Zahnriemenantrieb und Kupplungsglocke	D 17
2.7.2. _ Motormontage an Linearachsen mit Zahnriemenantrieb und Planetengetriebe	D 17
2.7.3. _ Motormontage an Linearachsen und Lineartischen mit Spindeltrieb	D 19
2.8 ___ Montage eines Umlenkriementriebs an Linearachsen und Lineartischen mit Spindeltrieb	D 20
2.9 ___ Montage von Trägerschienen für Paralleleinsatz mit Zahnstangenantrieb	D 22
<hr/>	
3. ___ Wartung und Schmierung	D 24
3.1 ___ Allgemeine Informationen	D 24
3.2 ___ Schmierung	D 24
3.3 ___ Schmierstoffe	D 24
3.4 ___ Schmiermethoden	D 26
3.4.1. _ Fettpressen	D 26
3.4.2. _ Automatische elektromechanische Schmiervorrichtung DRIVE BOOSTER	D 27
3.4.3. _ Zentralschmierungen	D 27
3.5 ___ Schmierstellen	D 28
3.6 ___ Schmiermengen	D 30
3.7 ___ Schmierintervalle	D 33
3.8 ___ Austausch Bürstenabstreifer	D 35
3.9 ___ Austausch Abdeckband	D 35
3.9.1. _ Austausch Abdeckband bei Linearachsen der Baureihe AXC	D 35
3.9.2. _ Austausch Abdeckband bei Linearachsen der Baureihe AXDL	D 37
3.10 ___ Verschleißteil - Sets	D 37

1. System technology

1.1 Definition

Linear Axis are pre-finished units with a combination of precise guiding and driving elements. Thereby Linear Axis with their variations are cost efficient and extremely compact components for machines and systems which could be mounted and placed into operation within a short time.

The selection of Linear Axis could be based on following criteria:

POSITIONING REPEATABILITY	When positioning repeatability, an arbitrary point is approached several times in one direction from the same starting point and the deviation to the target value can be measured. The process is repeated for different points. $\pm 50\%$ of the difference between maximum and minimum deviation is given as positioning repeatability.
POSITION ACCURACY	When measuring the positioning accuracy several points are approached in one direction and the difference between target travel distance and actual travelled distance measured. The position accuracy is the absolute maximum difference.
RUNNING PARALLELISM	The dial gauge is centrally mounted on the carriage and moved over the complete stroke. The running parallelism is the maximum difference between the measured values.
BACKLASH OF BALL SCREWS	The slider unit is moved by the ball screw against a dial gauge as a reference point. Then, the carriage will be loaded in the same direction by an external force and then unloaded. The backlash is the maximum difference between the reference point and the position after loading and unloading.
STARTING TORQUE	The starting torque is the drive torque which is necessary to overcome the static friction of the system and to start the motion.

For the selection of SNR Linear Axis our sales and application engineers with years of experience are also available.

1.2 Declaration of incorporation for partly completed machinery (Machinery directive 2006/42/EG)

The manufacturer SNR WÄLZLAGER GMBH, Friedrich-Hagemann-Straße 66, D-33719 Bielefeld, Germany hereby declares that the components of the partly completed machinery from the series "Linear Axis AX" and "Linear Axis Systems AS":

- Following essential health and safety requirements in accordance to Annex I of machinery directive 2006/42/EG are applied and fulfilled:

General principles:

- 1.1 General remarks
- 1.3 Protection against mechanical hazards
- 1.5. Risks due to other hazard
- 1.6. Maintenance
- 1.7. Information

- The relevant technical documentations are compiled in accordance with part B of Annex VII
- We will transmit in case of a reasoned request by the national authorities the relevant technical documentation in accordance with part B of Annex VII.
- The above mentioned relevant technical documentations can be obtained from The QC Department, SNR WÄLZLAGER GMBH, Friedrich-Hagemann-Straße 66, D-33719 Bielefeld, Germany
- The conformity is in accordance with the EN ISO 12100 2010 «Safety of machinery - General principles for design - Risk assessment and risk reduction «
- The partly completed machinery must not be put into service, until the final machinery, into which it is to be incorporated, has been declared in conformity with the provisions of machinery directive 2006/42/EG if required.



i.V. Ulrich Gimpel
(Industry Engineering Division Head)
SNR WÄLZLAGER GMBH - Friedrich-Hagemann-Straße 66 D-33719 Bielefeld, Germany
Bielefeld, December 2020

1.3 Safety instructions



The device is built according to current state-of-the-art technology and applicable regulations. The device complies with the EU machinery directive, harmonized standards, European standards or the applicable national standards. This is confirmed with a manufacturer's declaration.

Relevant accident prevention regulations, generally accepted safety-related rules, EU guidelines, other applicable standards and country-specific regulations are also applicable.

Because linear units can be used in such a wide range of applications, the ultimate responsibility and liability for appropriate use lies with the end user.

This device creates an unavoidable residual risk for personal injury and material damage. For this reason, every individual who works on this device associated with the transport, assembly, operating, maintenance and repair of the device, must receive instruction and understand the potential dangers. The information about mounting, start-up, maintenance and lubrication must be understood and observed.

1.4 Intended use

SNR Linear Axis and SNR Linear tables are fundamentally designated for linear movement as occurs during positioning, synchronization, transport, palletizing, loading, unloading, clamping, tightening, testing, measuring, handling and manipulating components or tools. Type-specific load data from the relevant catalogue documentation and/or NTN-SNR supplementary technical calculations must be observed.

Furthermore, an operating temperature between -10°C to $+75^{\circ}\text{C}$ must be adhered to.

Alternative or excessive use is considered improper use.

In addition, operating equipment poses a risk of injury due to rotating or otherwise moving components. Due to moving carriages, operational Linear Axis particularly pose an increased crushing hazard, especially in connection with end position dampers and limit switches. The user must carry out a detailed machinery risk assessment to identify hazards to all operators with signs or written codes of conduct which are compliant with any local regulations. Alternatively, the user may eliminate or exclude these residual risks to the greatest extent possible by employing appropriate constructive measures.

The noise level can increase at high speeds, special applications and at accumulation of more noise sources. The user must take the appropriate protective measures.

Linear Axis start-up is prohibited until it can be established that the machine or system in which it is mounted conforms to EU machinery directives, harmonized standards, European standards or applicable national standards.

The manufacturer assumes no liability for resulting damages. The user bears sole responsibility for all risks.

The Linear Axis may only be operated and serviced by individuals familiar with the axis and who have been instructed in the dangers.

Special provisions can be made for applications (as example food industry, clean room etc.) which deviate from the standard modifications.

1.5 Coordinate system

The Linear Axis can be loaded by forces or torques. The coordinate system (Figure 2.1) shows the forces acting in the main load directions, the torques as well as the six degrees of freedom.

Forces in the main load directions:

FX Movement force (X-direction)

FY Tangential load (Y-direction)

FZ Radial load (Z-direction)

Moments:

MX Torque in roll direction (rotation around the X-axis)

MY Torque in pitch direction (rotation around the Y-axis)

MZ Torque in yaw direction (rotation around the Z-axis)

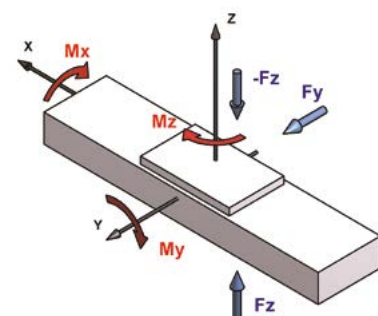
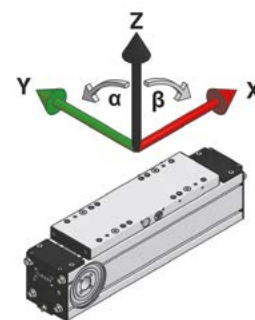


Figure 2.1 ___ Coordinate system

1.6 Static load capacity

The values of the static load capacity given in the data tables of the Linear Axis (except AXBG) represent the maximum load that can be applied.

The loads (radial and tangential) and moments can act simultaneously from different directions on the Linear Axis (Figure 2.2).

In this case, a maximum equivalent load, consisting of radial, tangential and other loads, used for verification. For this, the position must be located within the movement cycle in which the combination of all loads has the maximum value.

For complex loads, we recommend to contact our NTN-SNR application engineers.

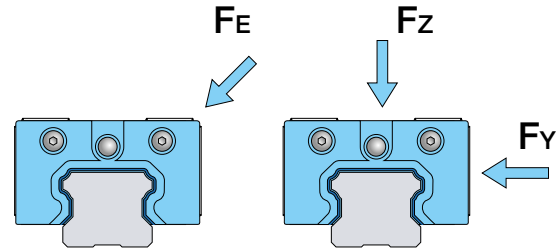
A minimum safety factor for static load capacity is not given here.

The static load capacity should not be mixed up with the static load rating that is specified in calculation of linear guides. Only for the axis of the series AXBG the static safety is to be determined because the loads affect here on the carriages directly.

The static load capacity of a Linear Axis results from the maximum load capacity of all related components in their interaction and is lower than the static load rating of the guiding system.

An additional check the static safety of the guiding system is not necessary.

If a Linear Axis is subjected in static alternating loads use, the values of the dynamic load capacity shall be recognized as the maximum values.



$$F_E = |F_Y| + |F_Z|$$

Figure 2.2 ___ Equivalent load

1.7 Life time

1.7.1 Dynamic load capacity / Nominal life time

The catalogue data to the dynamic load capacity of the Linear Axis (except AXBG) based on the nominal life time of 50,000 km for toothed belt axis, of 25,000 km for screw drive axis and of 10,000 km for Linear Axis with polymer track roller guides. The change of the nominal lifetime depending on the load is shown in Figure 2.3. If the loads are lower than the described limits, no further investigation is necessary.

If the nominal life time of the Linear Axis should be calculated, the calculation basics for linear guides, ball screws, racks and track rollers, which are described in the relevant catalogue, must be applied.

For Linear Axis of the AXBG series this calculation rules are always applicable.

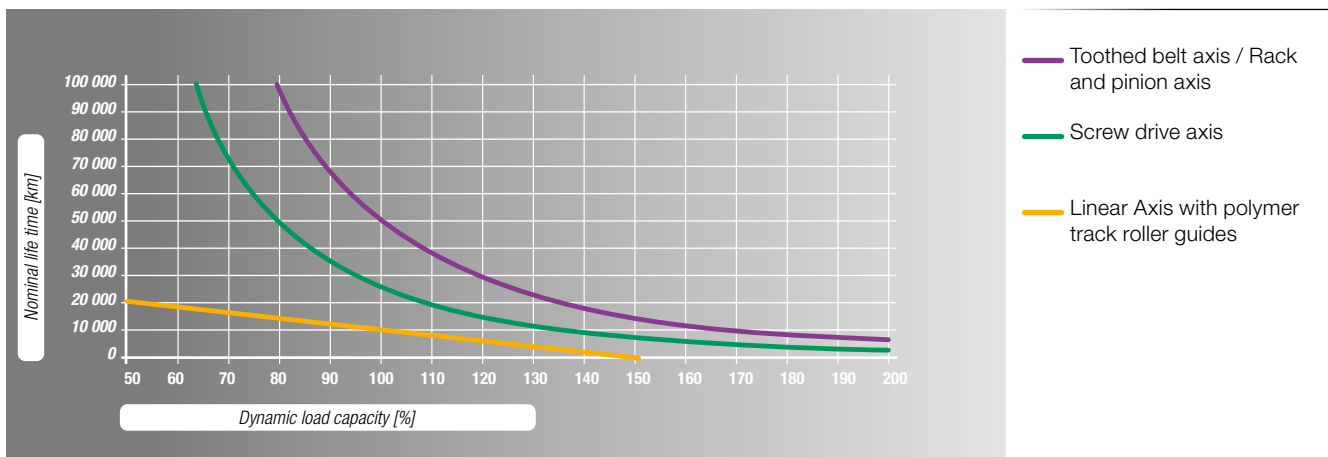


Figure 2.3 ___ Nominal life time

In case of higher dynamic loads, please contact at on our NTN-SNR application engineers or use for complex loads our calculation service.

1.7.2 Influence factors

For a calculation of the nominal life, it is often very difficult, to determine the real acting loads exactly.

- Linear Axis are usually subject to oscillations or vibrations caused by the process or driving forces.
- Linear Axis are to be dimensioned so that the load peaks of shocks do not exceed the maximum permissible loads. This applies to the dynamic and the static state of the system.

1.8 Rigidity

The rigidity of a Linear Axis is specified by the correlation between the external load and the resulting elastic deformation in the load direction.

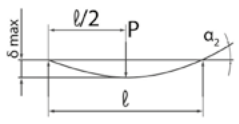
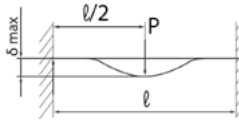
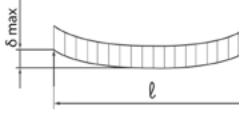
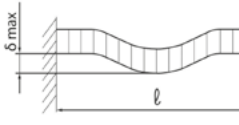
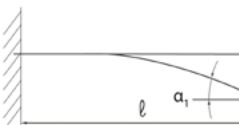
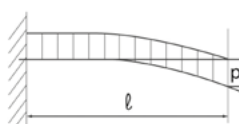
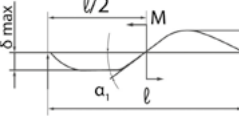
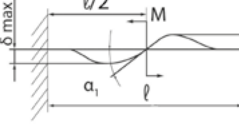
The rigidity is an important parameter for the selection of the Linear Axis because the rigidity values are changing depending on the type and version of the SNR Linear Axis. Essentially, the rigidity of the Linear Axis is determined by the rigidity of the aluminum profile.

The total deformation of a system still depends on the following external factors:

- Kind of the loads (point loads, line loads or moment loads)
- Kind of the fixation of the Linear Axis
- Length of the Linear Axis
- Distance of the fastening points

Some examples of calculation of the bending of the Linear Axis are shown in Table 2.1.

Table 2.1 ____ Bending of Linear Axis

Kind of bearing	Kind of load	Specification	Bending	Bending angle
Support - Support	Point load		$\delta_{\max} = \frac{Pl^3}{48EI}$	$\alpha_1 = 0$ $\tan \alpha_2 = \frac{Pl^2}{16EI}$
Fixed - Fixed	Point load		$\delta_{\max} = \frac{Pl^3}{192EI}$	$\alpha_1 = 0$ $\alpha_2 = 0$
Support - Support	Line load		$\delta_{\max} = \frac{5pl^4}{384EI}$	$\tan \alpha_2 = \frac{pl^3}{24EI}$
Fixed - Fixed	Line load		$\delta_{\max} = \frac{pl^4}{384EI}$	$\alpha_2 = 0$
Fixed - Free	Point load		$\delta_{\max} = \frac{Pl^3}{3EI}$	$\tan \alpha_1 = \frac{Pl^2}{2EI}$ $\alpha_2 = 0$
Fixed - Free	Line load		$\delta_{\max} = \frac{pl^4}{8EI}$	$\tan \alpha_1 = \frac{pl^3}{6EI}$ $\alpha_2 = 0$
Support - Support	Moment load		$\delta_{\max} = \frac{\sqrt{3}Ml^2}{216EI}$	$\tan \alpha_1 = \frac{Ml}{12EI}$ $\tan \alpha_2 = \frac{Ml}{24EI}$
Fixed - Fixed	Moment load		$\delta_{\max} = \frac{Ml^2}{216EI}$	$\tan \alpha_1 = \frac{Ml}{16EI}$ $\tan \alpha_2 = 0$

1.9 Dynamic operating load

The existing dynamic operating load must be determined and compared with the permissible dynamic operation load for Linear Axis with toothed belt drive.

The dynamic operating load is calculated by the formula [2.2].

$$F_{z\,dyn} = \frac{T_0 * 2\pi}{P} + m * a + m * g * \sin \alpha$$

[2.2]

$F_{z\,dyn}$	Existing dynamic operating load [N]
T_0	Idling speed torque [Nm]
P	Feed constant [m]
m	Moved mass [kg]
a	Acceleration [ms^{-2}]
g	Gravity constant [$9,81 \text{ ms}^{-2}$]
α	Assembling position [°]

$$F_{z\,dyn\,0} \geq F_{z\,dyn}$$

[2.3]

$F_{z\,dyn\,0}$	Permissible dynamic operation [N]
$F_{z\,dyn}$	Existing dynamic operation [N]

1.10 Precision

The running parallelism of Linear Axis is mainly determined by the tolerances of the used aluminum profiles. The profiles used by us meet or exceed the requirements of EN12020-2 for precision profiles.

Linear Axis with toothed belt / Ω - drive of the series AXDL_A and lifting axis of the series AXS, which usually unsupported used, are produced with improved straightness in limited length. The maximum length therefore are specified in the data tables. By the profile machining a straightness of 0.1 mm / m is achieved in this Linear Axis.

The most common requirement in applications of Linear Axis is the repeatability. These values are in the data tables for all SNR Linear Axis specified. More details are only available in the data tables for the SNR precision axis AXBG made on steel base.

For more information please contact our NTN-SNR application engineers.

1.11 Gearbox selection

For the selection of the gearbox for a Linear Axis the following should be considered:

- Maximum operating speed
- Maximum acceleration torque
- Nominal torque on the drive

These parameters are manufacturer information which take into account the mechanical and thermal limits of the gearbox and that are not allowed to be exceeded.

1.11.1 Maximum operation speed

$$n = \frac{v * 60}{P}$$

[2.4]

n	Existing operation speed [min ⁻¹]
v	Velocity [ms ⁻¹]
P	Feed constant [m]

$$n_{max} \geq n$$

[2.5]

n _{max}	Maximum permissible operation speed [min ⁻¹]
n	Existing operation speed [min ⁻¹]

1.11.2 Maximum acceleration torque

$$T_{max} = T_0 + \frac{m * a * P}{2\pi} + \frac{m * g * \sin \alpha * P}{2\pi}$$

[2.6]

T _{max}	Existing acceleration speed [Nm]
T ₀	Idling speed torque [Nm]
P	Feed constant [m]
m	Moved mass [kg]
a	Acceleration [ms ⁻²]
g	Gravity constant [9,81 ms ⁻²]
α	Assembling position [°]

$$T_{a,max} \geq T_{max}$$

[2.7]

T _{a,max}	Maximum permissible acceleration torque [Nm]
T _{max}	Existing acceleration torque [Nm]

1.11.3 Nominal torque on the drive

$$T = T_0 + \frac{m * g * \sin \alpha * P}{2\pi}$$

[2.8]

T	Existing torque on the drive [Nm]
T ₀	Idling speed torque [Nm]
P	Feed constant [m]
m	Moved mass [kg]
g	Gravity constant [9,81 ms ⁻²]
α	Assembling position [°]

$$T_a \geq T$$

[2.9]

T _a	Permissible nominal torque on the drive [Nm]
T	Existing torque on the drive [Nm]

1.12 Drive calculation

- NTN-SNR provides, as a customer service, the assembling of drives provided by the customer.
- NTN-SNR assumes no warranty for the calculation of the provided drive.
- Calculations of drives are carried out exclusively by the respective drive manufacturer.
- The reason for this is that NTN-SNR does not have all necessary calculation tools and basic data of these drives.

1.13 Selection of Linear Axis with toothed belt drive for 90 ° tilt mounting (wall mounting)

For Linear Axis with a toothed belt drive in a 90 ° tilted arrangement (wall mounting), the toothed belt can be displaced downwards during operation by the gravity force to the flanged pulley. For this reason, we recommend not to exceed the stroke limit length specified in Table 2.2.

Table 2.2____ Stroke limit length for Linear Axis with toothed belt drive

Series	Type	Stroke limit length [mm]
AXC	AXC40Z	1500
	AXC60Z	2000
	AXC80Z	2500
	AXC100Z	3000
	AXC120Z	3000
AXDL	AXDL110Z	2000
	AXDL160Z	2500
	AXDL240Z	3000
AXF	AXF100Z	3000
AXS	AXS280Z	3000

If the mounting of the Linear Axis is provided in this position, this information is required in the order description.

During operation, the centered run of the toothed belt must be checked together with the maintenance of the Linear Axis specified in Chapter 4.7.

2. Mounting and Start-up

2.1 Transportation and storage

SNR Linear Axis are high-precision components. Heavy shocks could damage the mechanics of the Linear Axis and impair its function. To avoid damage during transportation and storage, the following points should be observed:

- Protection against strong vibrations or shocks, aggressive substances, moisture and contamination
- Using of a sufficiently large packaging and prevent them against slipping during transportation
- Linear Axis can have larger weights and sharp edges. The transportation must be carried out by qualified staff with appropriate personal protective equipment (safety shoes, gloves, ...).
- Linear Axis and packagings with Linear Axis can have great length. To prevent excessive bending during transportation, the Linear Axis and their packaging must be supported at least two points, for lengths from more than 3 m at three points.

2.2 Design of the mounting surfaces / mounting tolerances

Any deviation of the flatness, straightness and parallelism of Linear Axis or mounted axis systems leads to tensions that cause additional loads of the guiding elements and reduce the life time. In general, the higher load and kilometerage, the higher the requirements for the mounting and alignment of the Linear Axis or the axis system.

For a safer function of single axis or axis systems their straightness in the longitudinal direction by the alignment of the individual axis must be guaranteed according to Table 3.1:

Table 3.1 _____ Straightness tolerance for the mounting of Linear Axis

Size	Straightness tolerance after mounting / per meter [mm]
all	0,5

For parallel Linear Axis is the permissible tolerance in the flatness (twisting) and the bending in the longitudinal direction also influenced by the torsional rigidity of the cross traverse. The resulting moment loads (M_y) shall not exceed the catalog values (less load moment). It must be noted that simultaneous variations in straightness (Table 3.1), flatness, bending and parallelism (tolerance e_0 and e_1 , Table 3.2) result in an addition of the loads on the guiding system and must be taken into account pro rata.

Additional requirements for the quality of the mounting surfaces must be considered when the tables of parallel installed Linear Axis are rigidly connected.

For a parallel installation, the Linear Axis of the AXC and AXF series are mainly suitable.

If the parallel installation of Linear Axis from other series is necessary, please contact for the selection process our NTN-SNR application engineers.

The mounting surfaces of the Linear Axis, as well as for the cross traverse should be machined in the assembly area in a single setup or should be adjustable. It should be aimed for the straightness transverse to the moving direction (Figure 3.1) of the mounting surfaces base tolerances e_0 and the parallelism tolerances e_1 of the Linear Axis from Table 3.2.

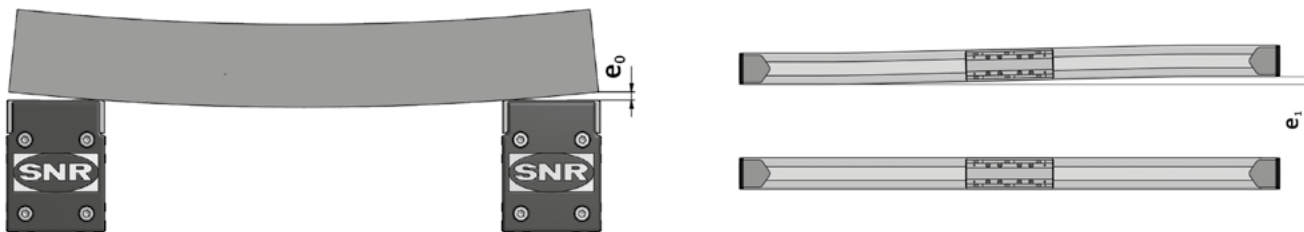


Figure 3.1 ___ Tolerances of parallel Linear Axis

Table 3.2___ Mounting tolerances of parallel Linear Axis

Type	Base tolerance e_0 [mm]	Parallelism tolerance e_1 [mm]
AXC60	0,010	0,018
AXC80	0,010	0,020
AXC100 / AXF100	0,020	0,022
AXC120	0,020	0,030

If a machining of the mounting surfaces to above-mentioned requirement are not provided or this value is exceeded by the deflection of the cross traverse, a control of parallelism must be made and, if necessary a correction must be made. The diagram in Figure 3.2 shows the relationship between mounting tolerances and possible dynamic load capacity.

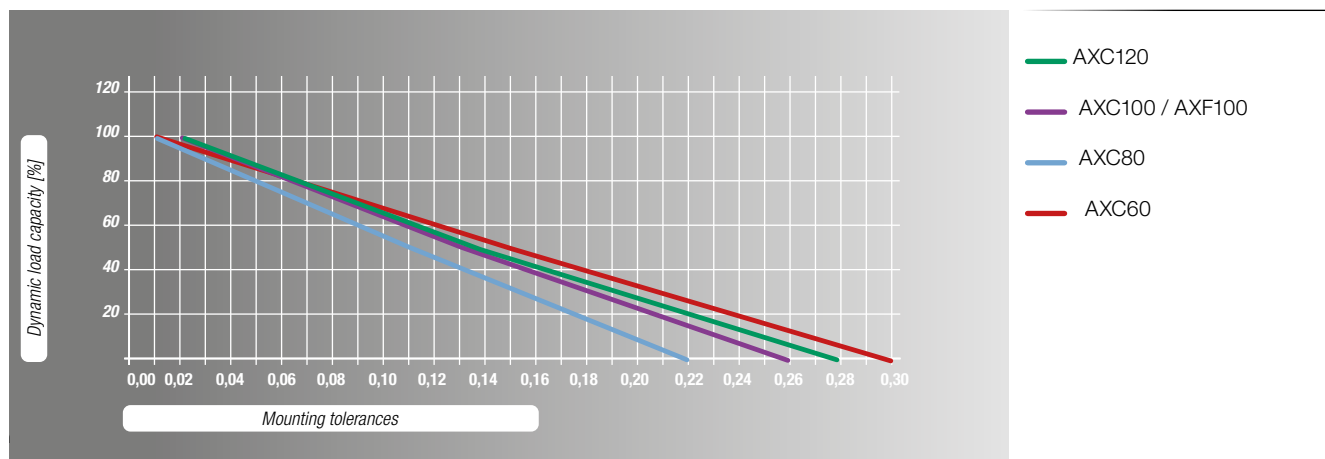


Figure 3.2___ Dynamic load capacity of Linear Axis related to the mounting tolerances

2.3 Mounting instruction

When mounting the Linear Axis (incomplete machine) listed below conditions must be fulfilled so that they can be assembled correctly and without affecting the health and safety of staff with other parts to form a complete machine.



Caution! The motor housing can reach high temperatures during operation.

The Linear Axis should be installed so that the structure-borne noise is minimized. Other machine parts should be designed so that they do not lie in the resonance range of the Linear Axis.

SNR Linear Axis of the AXC and AXDL series can be fastened by sliding blocks or mounting strips at plane surfaces or other Linear Axis from the SNR product range. The number of mounting points must be matched to the application. With punctual support of the Linear Axis, the resulting bending does not impair the function nor impair the required accuracy. The mounting strips are laterally hooked on the Linear Axis profile and, thanks to its special design are easy to assemble by screwing them from above (Figure 3.3). They can be positioned anywhere within the entire profile length.

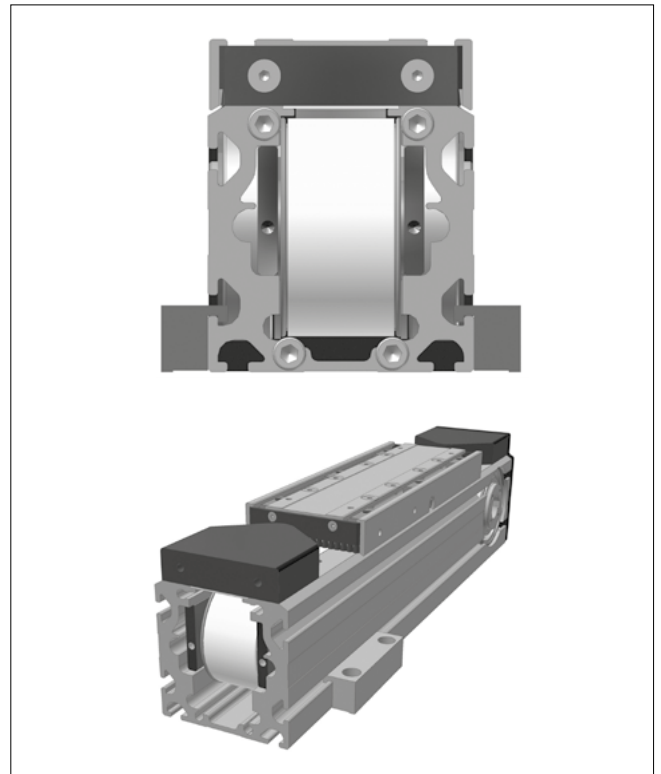


Figure 3.3 ___ Fastening strips AXC / AXDL

Alternatively, all Linear Axis can also be mounted on swivel-sliding blocks, which can also be freely positioned along the entire length (Figure 3.4).

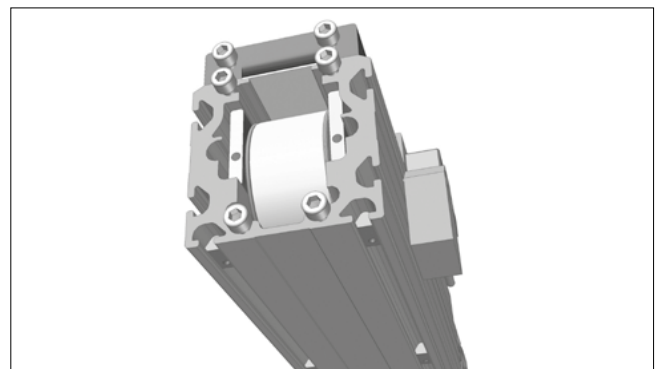


Figure 3.4 ___ Sliding blocks AXC / AXDL

For Linear Axis of the AXLT and AXLM series are also two mounting options available, either through a direct screw from the top or by swivel-sliding blocks for the grooves on the underside of the base plate.

The sliding blocks can be freely positioned along the entire length (Figure 3.5).

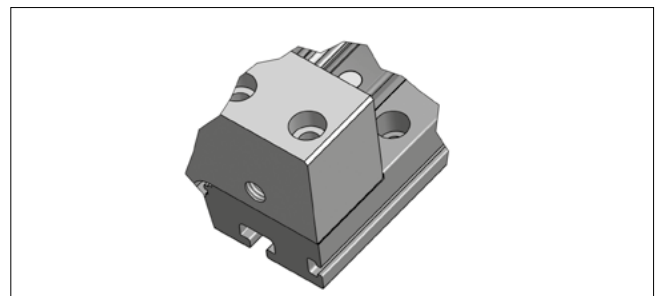


Figure 3.5 ___ Sliding blocks AXLT / AXLM

Linear Axis of the AXBG series can be screwed from above through the U - shaped rail profile (Figure 3.6).

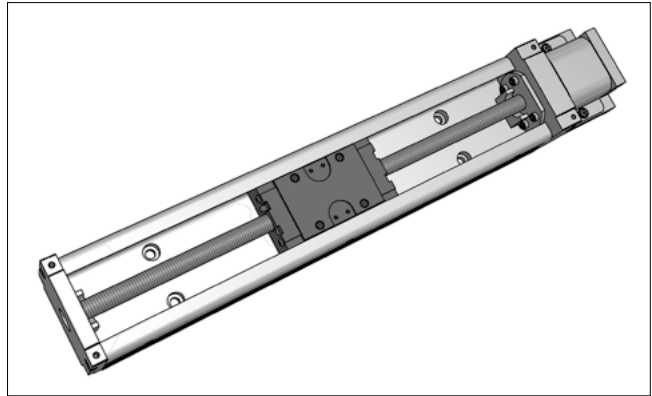


Figure 3.6___ Mounting AXBG

The Linear Axis of the AXF series can be mounted at plane surfaces or other Linear Axis by usage of fastening elements (Figure 3.7) or hammer screws or hammer nuts (Figure 3.8). In this series all profile grooves are closed and must be opened at the necessary fixing points.

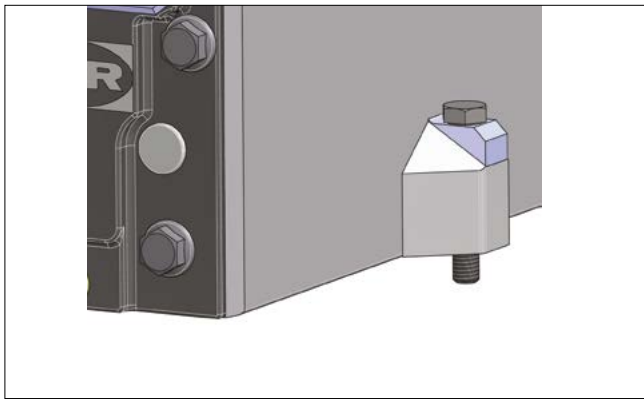


Figure 3.7 ___ Fastening element AXF



Figure 3.8___ Hammer screw AXF

Generally, the number of mounting points must be matched to the application in all types of fastening. With punctual support of the Linear Axis, the resulting bending does not impair the function nor impair the required accuracy.

2.4 Mounting of parallel Linear Axis

Generally, we recommend the allingment of parallel Linear Axis with an assembled crossbar. This is the only safe method to reduce tensioning and thus interference of the life time to a minimum. The mounting has be carried out according to the following steps:

1. Align the first Linear Axis (drive axis) straight and assemble it completely.
2. Align the second Linear Axis parallel and tighten only slightly.
3. Move the tables in one end position.
4. Place the traverse (or crossbar).
5. If a relevant deflection is to be expected, apply the load or simulate it.
6. Check the parallelism with the feeler gauge. If necessary insert foil sheets or correct angular position of the Linear Axis.
7. Alingn traverse (or crossbar) and fix it.
8. Loosen the mounting screws of the parallel Linear Axis, so that a slight displacement is possible.
9. Move the table to the respective mounting position and tighten the screws. Start with the end position.
10. Finally, loosen the connection to the tables completely and tighten it again.

2.5 Start-up of Linear Axis

Linear Axis can travel at high velocity with a large degree of force. Slider fittings can lead to bodily injury or material damage upon collision. Start-up should thus be performed with the utmost caution.

Furthermore, it should be ensured upon start-up that the permissible loads are not exceeded and the slider fittings are securely fastened. It should also be ensured that the maximum possible travel distance is not exceeded. If travel distance is limited with limit switches, they should be previously tested in terms of performance and correct positioning.

Hazards can arise through unintentional descending of vertical Linear Axis. The end user must take the necessary precautions. We recommend to use the Fachausschuss information sheet Nr. 005 „ Gravity-loaded axis (Vertical axis)” issue 02/2004 from Fachausschuss Maschinenbau, Fertigungssysteme, Stahlbau (Germany).



The manufacturer is not liable for damages resulting from non-observance of these start-up instructions. The user bears sole responsibility for all risks.

Table 2.3_____ Tightening torque of the screws from the coupling hub

Type	Tightening torque	
	Clamping hub [Nm]	Tension ring hub [Nm]
AXBG15S AXBG20S	0,43	-
AXBG26S AXBG33S	0,85	-
AXC40S/T	1,34	-
AXC40A/Z	1,34	1,34
AXBG46S AXBG55S	4,50	-
AXC60A/Z	10,5	3,00
AXC60S/T AXC80S/T AXC100S/T AXF100S/G/T AXC120S/T AXDL110S/T AXDL160S/T AXDL240S/T AXLT155S/T AXLT225S/T AXLT325S/T	10,5	-

Type	Tightening torque	
	Clamping hub [Nm]	Tension ring hub [Nm]
AXC80A/Z AXDL110Z	10,5	6,00
AXC100Z AXF100Z AXS110TA AXC120A/Z AXDL160A/Z AXDL240A/Z AXLT455S/T	25,0	6,00

2.6 Assembly of couplings on Linear Axis with toothed belt drive

The assembling of couplings on Linear Axis with toothed belt drive is carried out according to the following steps (Figure 3.9):

1. The coupling hub with feather key **1** is already screwed in the hollow shaft of the Linear Axis by the fastening screws **2** and equipped with the elastomeric gear rim **3** on delivery.
2. The axis side coupling hub will be optionally combined with clamping hub **4** and clamping screw **5** for drives with feather key or with tension ring hub **6**. The screws must be installed with the tightening torque from Chapter 2.5, Table 3.3.
3. For parallel Linear Axis with connecting shaft, a half-shell clamping hub **7** is used. These allow a later mounting and dismantling of the connection shaft.

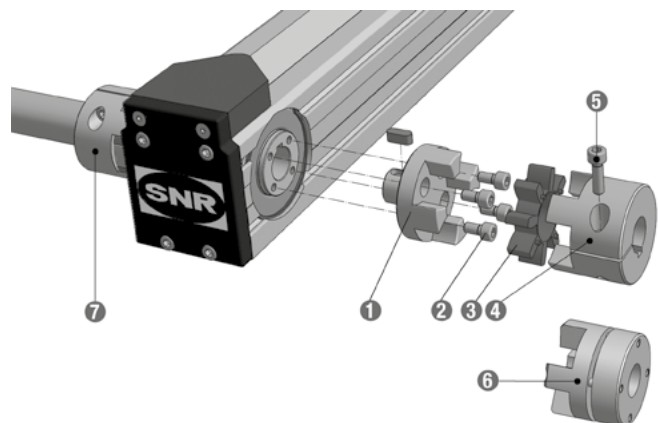


Figure 3.9_____ Mounting of couplings on Linear Axis with toothed belt drive

2.7 Drive assembly

2.7.1 Drive assembly on Linear Axis with toothed belt drive and coupling cone

The assembling of drives on Linear Axis with toothed belt drive and coupling cone is carried out according to the following steps (Figure 3.10):

1. The axis side coupling hub with the elastomeric gear rim **2** is always assembled on the Linear Axis on delivery.
2. Insert the coupling hub **3** on the drive or gearbox shaft **5**. The mounting dimension LK (Figure 3.11) from Table 6.23 in Chapter 6.2.4.1 must be taken into account.
3. Tighten the clamping screw **4** with the required tightening torque according to Chapter 2.5 Table 3.3.
4. Insert the drive with the coupling hub **3** into the coupling hub with the elastomeric gear rim **2** and screw it to the coupling cone **1**.

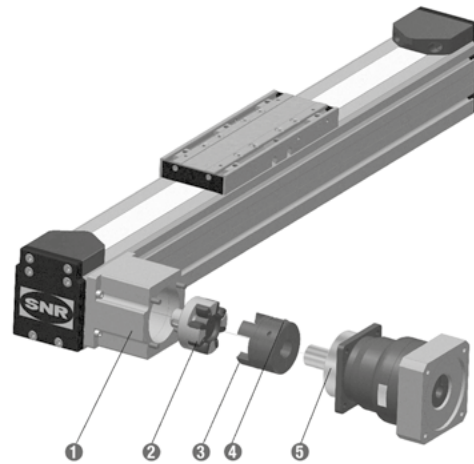


Figure 3.10 __ Drive assembly on Linear Axis with toothed belt drive and coupling cone

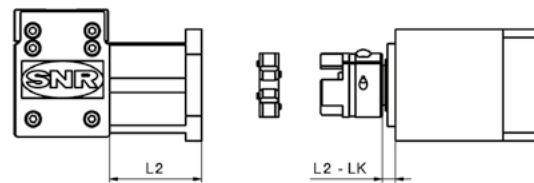


Figure 3.11 __ Mounting dimension

2.7.2 Drive assembly on Linear Axis with toothed belt drive and planetary gearbox

The assembling of drives on Linear Axis with toothed belt drive and planetary gearbox is carried out according to the following steps (Figure 3.12):

1. Place the Linear Axis **1** laterally so that the mounting flange of the drive **2** faces upwards.
2. Lubricate the drive shaft, bore of the hollow shaft and bolt spacer.
3. Move the slider **3** until the clamping screw is visible in the access hole **4**.
4. Check for AXC60 that the slot in the bolt spacer is 90° turned to the clamping screw.
5. Insert drive **5**.
6. Tighten the clamping screw with the required tightening torque according to Table 3.4. With two clamping screws, tighten the clamping screws slightly and then tighten alternately until the required tightening torque according to Table 3.4.
7. Insert and tight the fastening screws.
8. Close the access hole in the mounting flange of the drive **2** with the supplied plug.

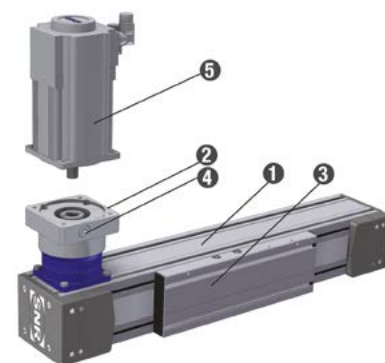


Figure 3.12 __ Drive assembly on Linear Axis with planetary gearbox

Table 3.4___ Tightening torque of the clamping screws

Wrench size [mm]	Tightening torque [Nm] ¹		
	Gearbox version E / P	AXC60Z / A Gearbox version E / P	Gearbox version S
3	4,1	5,0	6,0
4	9,5	9,0	14
5	14	11	29
6	35		52
8	79		

¹ For all other versions and deviations, the assembly instructions of the gearbox manufacturer apply

Tabelle 3.5 __ Motor mounting on Linear Axis with spindle drive

Type	Elastomeric gear rim is drilled for motor shaft diameter ¹	Monting dimension A	Tightening torque clamping screw
	[mm]	[mm]	[Nm]
AXC40S/T	-	7	1,34
AXC60S/T AXC80S/T AXC100S AXDL160S/T AXLT225S/T	19	3	10,5
AXC120S/T AXDL240S/T AXLT325S/T	24	3	10,5
AXLT155	-	7	1,34
AXLT455	-	8	25,0

¹For motors with feather key, the delivery contains a shorter feather key to exchange

2.7.3 Drive assembly on Linear Axis and Linear Tables with screw drive

The assembling of drives on Linear Axis and Linear Tables with screw drive and coupling cone is carried out according to the following steps (Figure 3.13):

1. Insert the coupling hub **2** on the drive or gearbox shaft. The dimension A (Figure 3.14) from Table 6.24 in Chapter 6.2.4.2 and dimension B when using an optional intermediate flange **5**, should be considered.
2. Tighten the clamping screw **3** with the required tightening torque according to Chapter 2.5 Table 3.3.
3. Insert elastomeric gear rim **4**. For drives with feather key and shaft diameter 19 and 24 mm the elastomeric gear rim is drilled through. A shorter feather key for exchange is delivered as well.
4. Insert the drive with the coupling hub **2** and mounted elastic gear rim **4** in the coupling hub from the Linear Axis and screw it with the coupling cone **1**.

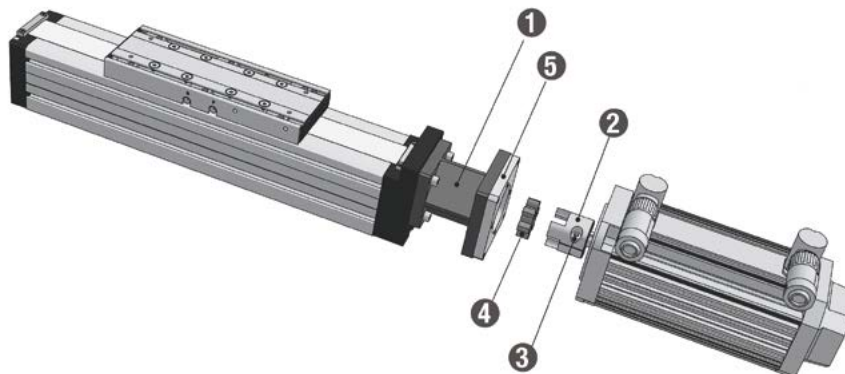


Figure 3.13 __ Drive assembly on Linear Axis with screw drive and coupling cone

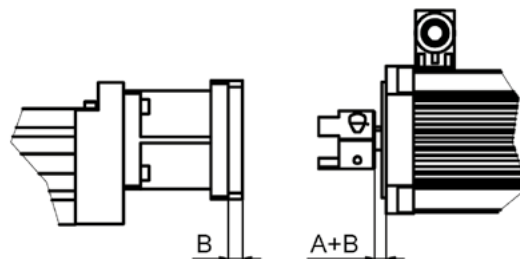


Figure 3.14 __ Mounting dimension

2.8 Assembly of a deflection belt drive on Linear Axis and Linear Tables with screw drive

For the assembling of a deflection belt drive on Linear Axis with screw drive of the series AXC, AXF, AXDL and AXLT, the following steps in accordance to Figure 3.15 must be observed:

1. Mount the housing for the deflection belt drive **1** in the desired position on the Linear Axis with the fastening screws **2**.
2. Insert the toothed belt disc **4** with the clamping hub **3** on the shaft of the Linear Axis and tight the screws with the required tightening torque from Table 3.7.
3. Insert the toothed belt disc **9** with the clamping hub **3** on the shaft of the drive and tight the screws with the required tightening torque from Table 3.7.
4. Fasten the drive **6** with the screws **7** on the drive adapter **10**.
5. Insert in the housing **1** and tighten the fastening screws **11** of the drive adapter **10** with light clearance (so that a smooth movement is possible).
6. Insert toothed belt **5**.
7. Toothed belt tension (Consider the permissible load capacity of the drive shaft, if necessary reduce the toothed belt tension and proportionally the drive torque):
 - a. By the torque
Fasten the tensioning plate with the oiled tensioning screw **12** on the drive adapter **10**. Tight the tensioning screw **12** with the required tightening torque from Table 3.6.
 - b. By a frequency measuring device TOOLSPEBELTPRO-SW (ID Number 372992)
Fasten the tensioning plate with the oiled tensioning screw **12** on the drive adapter **10**. Tight the tensioning screw **12**. Attach the toothed belt with a metal pin and measure the eigenfrequency with a frequency measuring device (account the user manual). When the values from Table 3.5 are reached, the correct toothed belt tension is achieved.
 - c. By the SNR measuring device for the toothed belt tension
Assemble the measuring device on the drive adapter **10**. Tighten the tensioning screw until the value from Table 3.5 is reached.
8. Tight the fastening screws **11** of the drive adapter **10** with the required tightening torque (when using the SNR measuring device, remove these and close the deflection belt drive with the tensioning plate and the tensioning screw).
9. Close the deflection belt drive with the cover **13**.

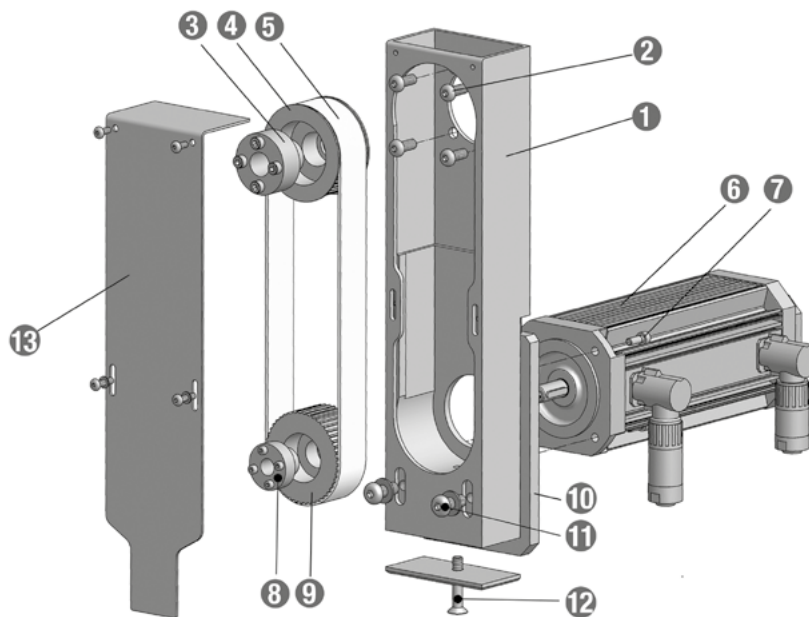


Figure 3.15 __ Assembly deflection belt drive

Table 3.6 Parameter deflection belt drives

Series	Type	Version	Pretension force on the measuring device ¹ [N]	Pretension force on the toothed belt [N]	Eigenfrequenz ² [Hz]	Torque tensioning screw ³ [Nm]	Distance motor flange - center toothed belt discdrive [mm]	Maximum permissible drive torque (permanent torque) ⁴ [Nm]	
AXC	AXC60	SN1605	100	50	149	0,2	18	1,8	
		SV1605	130	65	170	0,3		2,6	
		SN1610	170	85	194	0,4		3,5	
		SV1610	250	125	236	0,5		5,3	
		SN1616	270	135	245	0,6		5,6	
		T_1604	140	70	176	0,3		3,0	
	T_1608	210	105	216	0,5	4,5			
	AXC80	SN2005	100	50	68	0,2	21	2,1	
		SV2005	160	80	85	0,3		3,7	
		SN2020	350	175	126	0,8		8,3	
		SV2020	630	315	170	1,4		15,0 (11,0)	
		SN2050	630	315	170	1,4		15,0	
		T_2004	190	95	93	0,4		4,3	
	T_2008	260	130	109	0,6	6,0			
	AXC100	SN2505	210	105	98	0,5	21	4,8	
		SN2510	400	200	135	0,9		9,5	
		SN2525	630	315	170	1,4		15,0 (11,0)	
		SN2550	630	315	170	1,4		15,0	
		TN2405	420	210	138	0,9		10,0	
		TN2410	590	295	164	1,3		14,0	
	AXC120	SN3205	150	75	54	0,4	30	5,6	
		SN3210	290	145	74	0,9		11,0	
		SN3220	580	290	105	1,7		22,0	
		SN3232	630	315	110	1,9		24,0	
T_3606		630	315	98	1,5	19,0			
T_3612		500	250	110	1,9	24,0			
AXF	AXF100_-D	SN2505	210	105	98	0,5	21	4,8	
		SN2510	400	200	135	0,9		9,5	
		SN2525	630	315	170	1,4		15,0 (11,0)	
		SN2550	630	315	170	1,4		15,0	
		TN2405	420	210	138	0,9		10,0	
	AXF100_-P	TN2405	190	95	93	0,4	21	4,3	
		GN2020	240	120	105	0,5		5,7	
		GN2060	550	275	158	1,2		13,0	
		GN2090	630	315	170	1,4		15,0	
		AXDL	AXDL110	SN1605	100	50		149	0,2
SN1610	110			55	156	0,2	2,3		
SN1616	170			85	194	0,4	3,6		
TN1604	100			50	149	0,2	1,9		
TN1608	140			70	176	0,3	2,9		
SN2505	110			55	71	0,2	2,5		
AXDL160	SN2510		210	105	98	0,5	21	4,9	
	SN2525		510	255	153	1,1		12,0 (11,0)	
	SN2550		630	315	170	1,4		15,0	
	TN2405		260	130	109	0,6		6,0	
	TN2410		380	190	132	0,8		9,0	
	S_3205		170	85	57	0,5		6,4	
AXDL240	S_3210		350	175	82	1,0	30	13,0	
	S_3220		630	315	110	1,9		24,0	
	S_3232		630	315	110	1,9		24,0	
	T_3606		580	290	105	1,7		22,0	
	T_3612		630	315	110	1,9		24,0	
	SN2005		210	105	163	0,5		21	4,3
SN2020	460		230	241	1,0	10,0			
TN2004	330		165	204	0,7	7,0			
TN2008	460		230	241	1,0	9,8			
AXDL225	SN2505		230	115	102	0,5	21		5,4
	SN2510		470	235	146	1,0			11,0
	SN2525		630	315	170	1,4		15,0 (11,0)	
	SN2550	630	315	170	1,4	15,0			
	TN2405	420	210	138	0,9	10,0			
	TN2410	590	295	164	1,3	14,0			
AXDL325	SN3205	290	145	74	0,9	30	11,0		
	SN3210	550	275	103	1,6		21,0		
	SN3220	630	315	110	1,9		24,0		
	SN3232	630	315	110	1,9		24,0		
	TN3606	630	315	110	1,9		24,0		
	TN3612	630	315	110	1,9		24,0		
AXDL455	SN4005	260	130	30	0,8	45	16,0		
	SN4010	600	300	45	1,8		38,0		
	SN4020	1 200	600	64	3,6		76,0		
	SN4040	1 650	825	75	4,9		105,0		
	TN4007	700	350	49	2,1		44,0		

¹ SNR measuring device for the toothed belt tensioning

² Toothed belt tensioning by a frequency measuring device

³ Value results in a toothed belt tensioning force with 25% safety

⁴ Maximum permitted drive torque = Table value / ratio

Table 3.7 Tightening torques clamping hub

Diameter drive shaft	[mm]	≤ 6	≤ 14	> 14
Fastening torque clamping ring	[Nm]	2	5	10

2.9 Mounting of Beam Axis for parallel use with rack and pinion drive

The Linear Axis AXS200M_ and AXS300MP with guiding system B are specifically designed for parallel use of Linear Axis, mounted in large distance. For these operating conditions, a compensation system for misalignment, thermal expansion and synchronism error is mounted on the slider unit.

A special version of the Compact Linear Axis AXC120Z can also be equipped with this compensation system.

During assembly, the Linear Axis must be aligned in parallel and finally fastened. To activate the compensation system, the cylinder bolt ❶ (Figure 3.16) must then be removed.

The cylinder bolt is located on only one of the two parallel Linear Axis. The Linear Axis with the activatable compensation system is marked in the type code with the configuration version H. Without activatable compensation system, it is the configuration version G. Normally, the cylinder bolt is mounted on the Linear Axis, which is not equipped with the limit switches and initiators.

The carriages ❷ and the rack and pinion drive ❸ of the Linear Axis AXS200M_ and AXS300MP are equipped with lubrication connections for central lubrication systems. The position of the lubrication connections are shown in Figure 3.16.

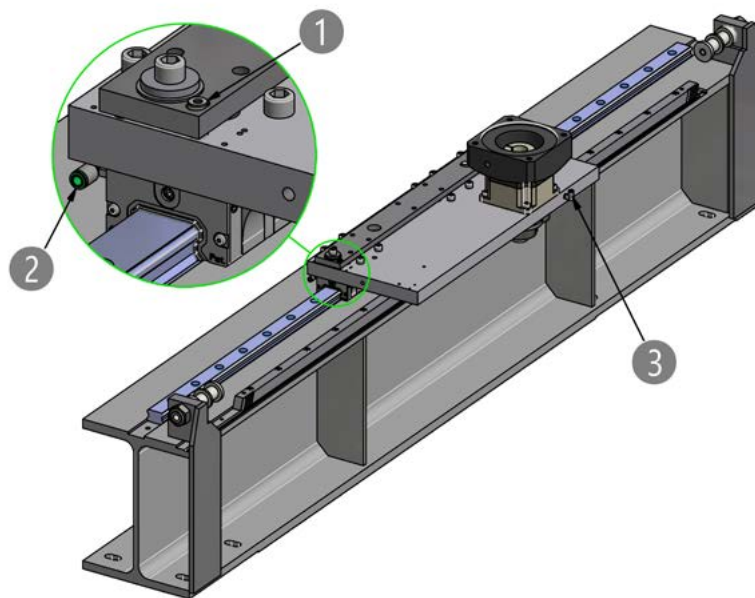


Figure 3.16 __ Position of the cylinder bolt and the lubrication connections of Beam Axis for parallel use

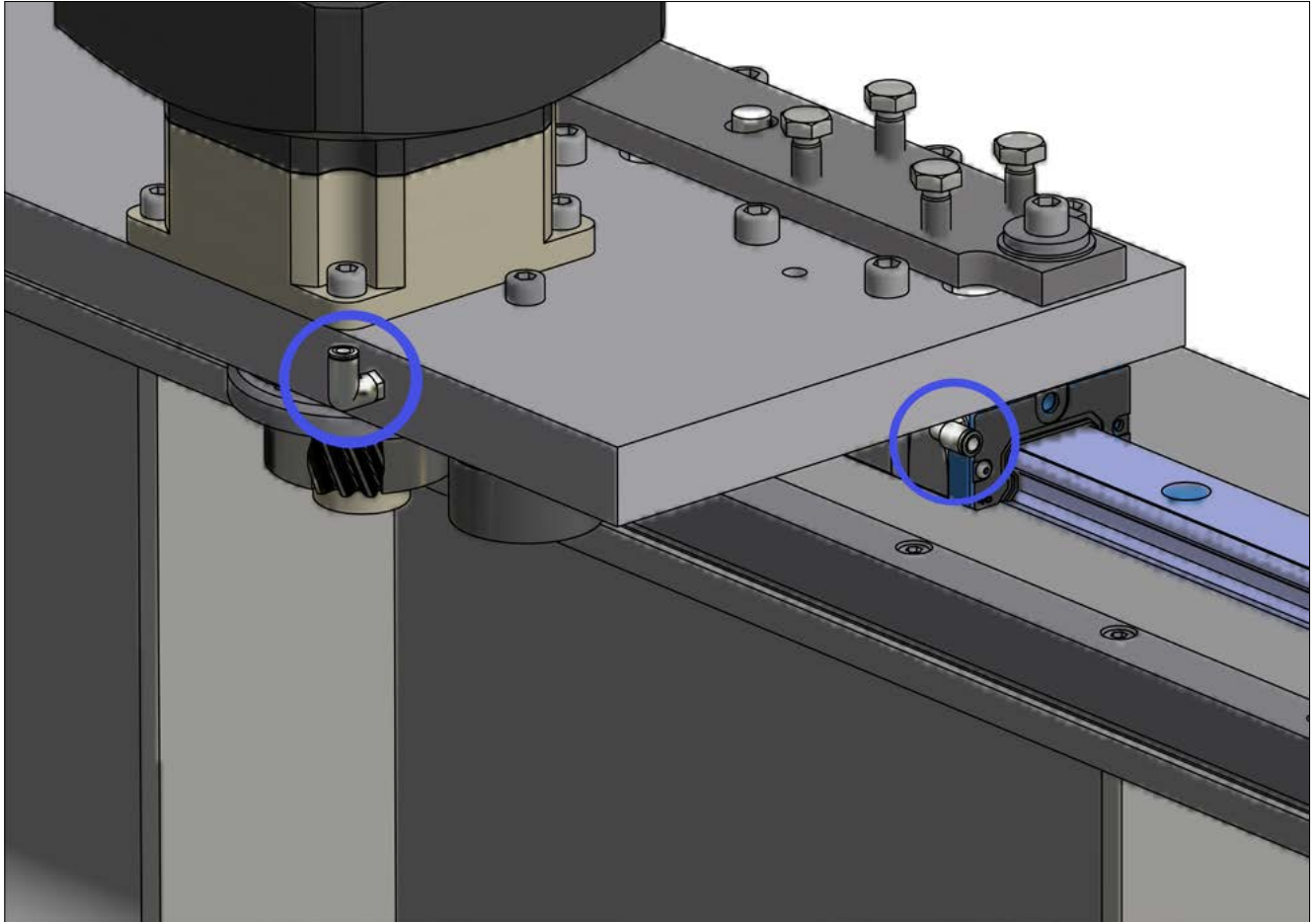


Figure 3.17__Lubrication connection for automatic lubrication system

Optionally, lubrication systems or lubricators and grease nipples can be installed by NTN-SNR.

3. Maintenance and lubrication

3.1 General information



Caution!

All maintenance and service works must be carried out in power off and secured stage.
The motor housing can reach high temperatures during operation.

3.2 Lubrication

For the reliable operation of the Linear Axis, a sufficient lubrication is essential.

The lubrication should ensure a lubricant film (oil film) between rolling elements and raceways of the guiding and drive elements to prevent wear and premature fatigue of the components.

In addition, the metallic surfaces are protected against corrosion. Furthermore, the lubricant film allows a smooth sliding of the seals on the surfaces and reduces also the wear of them.

Insufficient lubrication not only increases the wear, it reduces also significantly the life time.

An optimal selection of the lubricant has a decisive influence on the function and life time of the Linear Axis. In order for the function of the system to be not affected and remain over a long period lubricated according to the environmental conditions; specific requirements should be defined.

Such environmental conditions and factors may be for example:

- High or low temperature
- Condensation and splash water effects
- Radiation exposure
- High vibration stress
- Use under vacuum conditions and/or in clean rooms
- Applying of special substances (for example, vapors, acids, etc.)
- High acceleration and velocity
- Continually short stroke movement (< 2 x carriage length)
- Dirt and dust

3.3 Lubricants

There are several types of situational lubricants for the different guiding and drive systems of the Linear Axis.

The lubricants have the following functions:

- Reduction of the friction
- Reduction of the starting moment
- Protection against wear
- Corrosion protection
- Noise reduction

Linear guides and ball screws

Lithium soap greases with the marking KP2-K according to DIN 51825 and NLGI class 2 according to DIN 51818 with EP additives are to be used under normal conditions.

Specific requirements under special environmental conditions require the selection of a corresponding suitable grease.

SNR LUB HEAVY DUTY is used as standard grease.

In general the compatibility of the lubricants must be checked with each other or with the corrosion protection oil.

Table 4.1 provides an overview of the lubricants used by NTN-SNR for linear guides and ball screws. The use of greases containing solid additives (for example, graphite or MoS₂) is not allowed.

Table 4.1 ____ Lubricants for linear guides and ball screws

Description	Base oil / Type of soap	NLGI-classe DIN51818	Worked penetration DIN ISO 2137 at 25°C [0,1mm]	Basic oil viscosity DIN 51562 at 40°C [mm²/s]	Density [mg/cm³]	Propertie	Application area
SNR LUB HEAVY DUTY	Mineral oil / Lithium with EP additives	2	295	ca. 115	890	<ul style="list-style-type: none"> • very high protection against wear and corrosion 	<ul style="list-style-type: none"> • high temperature range • high loads
SNR LUB HIGH SPEED+	Esther, SHC / Lithium, Calcium	2	-	25	900	<ul style="list-style-type: none"> • very good adhesion properties • very good water resistance 	<ul style="list-style-type: none"> • high velocity • low temperature
SNR LUB HIGH TEMP	semi-synthetic oil / Polyurea	2	265...295	160	900	<ul style="list-style-type: none"> • high temperature resistance • good corrosion protection • high oxydation resistance 	<ul style="list-style-type: none"> • high temperature range
SNR LUB FOOD	Paraffinic mineral oil, PAO / Aluminum complex	2	265...295	195	920	<ul style="list-style-type: none"> • good corrosion protection • very good adhesion properties • high water resistance • NSF H1 registered* 	<ul style="list-style-type: none"> • food processing industry
Microlobe GL261	Mineral oil / special lithium-calcium soap	1	310...340	280	890	<ul style="list-style-type: none"> • good wear protection • particulary pressure resistance • additive against tribocorrosion 	<ul style="list-style-type: none"> • high temperature range • high loads • short-stroke application • vibrations
Klübersynth BEM34-32	Synthetic hydrocarbon oil / special calcium soap	2	265...295	ca. 30	890	<ul style="list-style-type: none"> • particulary pressure resistance • good wear protection • good aging resistance • low starting torque 	<ul style="list-style-type: none"> • clean room application
Klübersynth UH1 14-151	Synthetic hydrocarbon oil / ester oil Aluminum complex soap	1	310...340	ca.150	920	<ul style="list-style-type: none"> • good corrosion protection • good aging resistance • high water resistance • NSF H1 registered* 	<ul style="list-style-type: none"> • food processing industry • pharmaceutical industry

* This lubricant has been registered as an H1 product, i.e. it was developed for occasional, technically unavoidable contact with food. Experience has shown that the lubricant can also be used for appropriate applications in the pharmaceutical and cosmetic industry when the conditions in the product information are adhered to. However, no specific test results that might be required for applications in the pharmaceutical industry, e.g. bio-compatibility, are available. The systems manufacturer and operator should therefore perform appropriate risk analyses before applications in this area. Measures to exclude health risks and injuries have to be taken, where required. (Source: Klüber Lubrication)

Track roller guides

The hardened steel shafts and the rollers of the track roller guides are oil lubricated under normal conditions. The lubricating oils have to correspond to the specification ISO VG460. NTN-SNR uses as standard oil Shell Omala 460. Table 4.2 provides an overview of the lubricating oils used by NTN-SNR for track roller guides.

Table 4.2____ Lubricating oils for track roller guides

Description	Type of oil	Kinematic viscosity DIN51562 at 40°C [mm ² /s]	Density [g/cm ³]	Temperature range [°C]	Properties	Application range
Shell Omala 460	Mineral oils and additives.	460	904	-10...+90°C	<ul style="list-style-type: none"> • good aging resistance • good temperature stability • good corrosion protection 	Good ageing and temperature stability, good corrosion protection properties General machine construction
Klüberoil 4 UH1-460N	Polyalphaolefin film	460	860	-30...+120°C	<ul style="list-style-type: none"> • good aging resistance • good wear protection • NSF H1 registered* 	Pharmaceutical industry, food industry

Trapezoidal screw

For trapezoidal screws is the use of the same lubricants as for linear guides and ball screws is possible. Greases containing solid additives (for example, graphite or MoS₂) can be used in the series AXC, AXF and AXLT. The ingress of these lubricants into the carriages is to be prevented.

Rack and pinion drive

The rack and pinion drive is optimally supplied with lubricant by a permanent lubrication system in combination with a felt rack-wheel. The system is filled with the lubricant SNR LUB HEAVY DUTY. It can also be used for special versions with different lubricants.

3.4 Lubrication methods

SNR Linear Axis can be supplied with lubricant by manual grease gun, automatic lubricators or central lubrication systems.

3.4.1 Manual grease guns

When using manual grease guns (Figure 4.1), the guiding and drive elements of the Linear Axis are lubricated by the mounted grease nipple.



Figure 4.1 ____ SNR Manual grease gun

Experts
& Tools

3.4.2 Automatic electro-mechanical lubricator DRIVE BOOSTER

An automatic lubricator allows constant and regular lubrication of the drive elements of the Linear Axis. Automatic electro-mechanical lubricators are at SNR Linear Axis suitable and in use only for the lubrication of the rack and pinion drive. The lubricator type DRIVE BOOSTER 120 (Figure 4.2) is used here. The lubricators can be supplied with different kinds of grease or oil and are available for selection in addition to the standard grease SNR LUB HEAVY DUTY with the grease SNR LUB FOOD and the oil SNR FOOD CHAIN OIL.

Experts
& Tools



Figure 4.2 ___ Automatic electro-mechanical lubricator
DRIVE BOOSTER 120

On request the automatic electro-mechanical lubricator DRIVE BOOSTER can also be delivered with the filling quantities 60cc and 250 cc.

For more information please contact our NTN-SNR application engineers.

3.4.3 Central lubrication system

SNR Linear Axis can be supplied on request with a connection for a central lubrication system.

A suitable central lubrication system is the CONTROL BOOSTER (Figure 4.3). The CONTROL BOOSTER has six connectors for lubricant lines, which can be configured individually and can be optionally be equipped with 250 cc and 500 cc volume of lubricant in the CONTROL REFILL unit. The CONTROL REFILL unit can be after emptying replaced or be factory-provided refilled.

Experts
& Tools



Figure 4.3 ___ CONTROL BOOSTER

For more information please contact our NTN-SNR application engineers.

3.5 Lubrication points

SNR Linear Axis has depending on the series a different number of lubrication points in different positions.

AXC / AXF Series

The Linear Axis of the AXC and AXF series are equipped on both sides with grease nipples to guarantee the best possible access. This means that per lubrication interval, the amounts of the lubricant indicated in Chapter 4.6 may be introduced only on one side of the axis in the appropriate grease nipple. The lubrication points (Figure 4.4) are marked with «F» for the linear or track roller guide and «S» for the screw. As grease nipples are depending on the size cup head or hydraulic type grease nipple mounted. For the toothed belt axis the lubrication point and their marking «S» is omitted. For Linear Axis of the AXF series with the guiding system P and the drive version Z or GN are the guiding system and the drive maintenance-free and does not have a mounted lubrication connection.

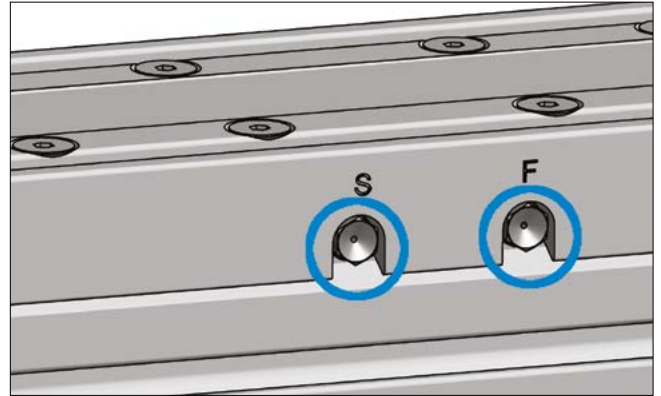


Figure 4.4 ___ Lubrication points AXC / AXF

AXDL Series

Linear Axis of AXDL series are equipped at both front sides of the slider unit with grease nipples, to guarantee the best possible access. This means that per lubrication interval, the amounts of the lubricant indicated in Chapter 4.6 may be introduced only on one front side of the axis in the appropriate grease nipple. For Linear Axis with screw drive the lubrication points (Figure 4.5) are marked with "F" for the linear or track roller guide on this side and with "S" for the screw drive and the linear or track roller guide on the other side. The lubrication points for Linear Axis with toothed belt drive have no marking. As grease nipples are cup head grease nipples mounted.

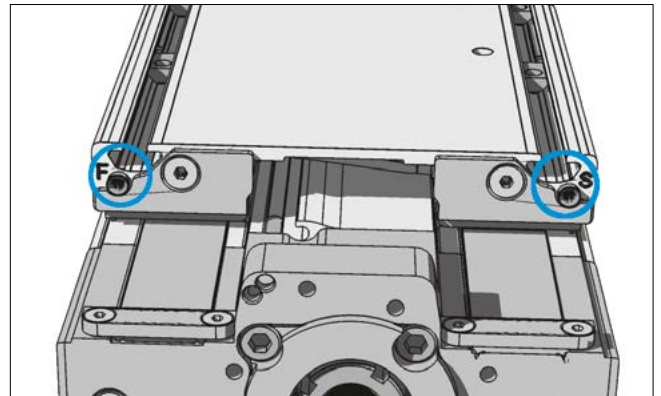


Figure 4.5 ___ Lubrication points AXDL

AXBG Series

Linear Axis of the series AXBG have per carriage one grease nipple (Figure 4.6). By this grease nipple, the guiding system is supplied with lubricant. For lubrication of the ball screw with the lubricant is applied directly to the ball screw. The amounts of the lubricant are specified in Chapter 4.6. For the versions with one carriage, the grease nipple is mounted as standard on the floating bearing side, but can also be exchanged on the fixed bearing side. For versions with two carriages the grease nipples are arranged respectively on the bearing side. Depending on the size, ball type or hydraulic type grease nipple can be mounted.



Figure 4.6 ___ Lubrication point AXBG

AXLT Series

The Linear Axis of the AXLT series have separate lubrication points for each carriage and for the screw drive. These are arranged on both sides of the slider unit (Figure 4.7). The lubrication points are marked with "F" for the linear guide and "S" for the screw drive. Per lubrication interval the amounts of the lubricant indicated in Chapter 4.6 have to be introduced in each of the four carriages and in the screw drive individually.

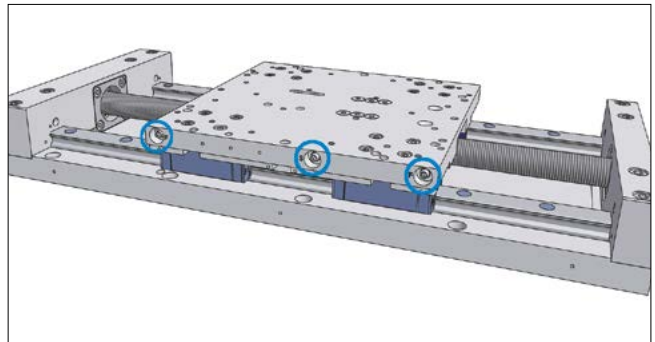


Figure 4.7 ___ Lubrication points AXLT

AXS Series (Lifting and Gantry Axis)

For Lifting and Gantry Axis of the series AXS the amounts of the lubricant per lubrication interval indicated in Chapter 4.6 and have to be indicated in each of the four carriages (Figure 4.8). Linear Axis with rack and pinion drive are equipped with automatic lubricators for the toothed rack, which must be activated during start-up. In multi-axis systems, the lubrication points of the lifting and gantry axis can be centrally placed in an easily accessible location (Figure 4.9).

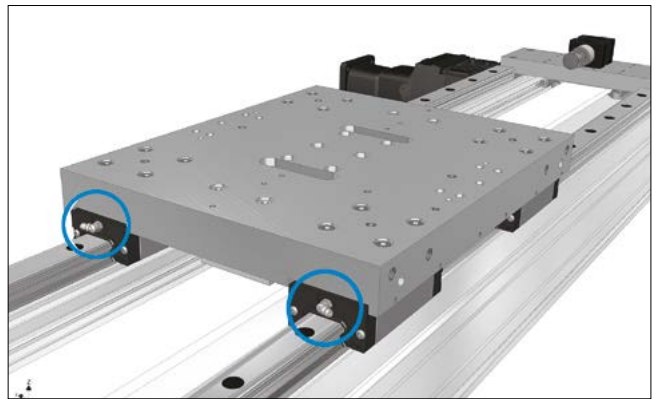


Figure 4.8 ___ Lubrication points for AXS Lifting and Gantry axis

AXS Series (Telescopic axis)

For Telescopic Axis of the AXS series (Figure 4.9) the different guiding levels must be considered separately. In the first guiding level, the amounts of lubricant specified in Chapter 4.6 are per lubrication interval indicated individually to each of the four carriages. In the second guiding level the amounts of lubricant specified in the maintenance manual are to be indicated only on one side of the table into the two existing lubrication points. An exception is the AXS280T, where all four carriages in the second guiding level have to be relubricated individually. The rack drive is equipped with an automatic lubricator, which must be activated during start-up.

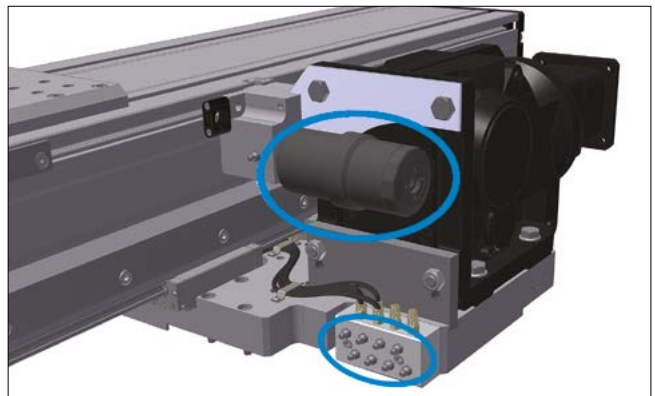


Figure 4.9 ___ Lubrication points and automatic lubricator for AXS Teleskop axis

AXLM Series

The Linear Axis of the AXLM series have separate lubrication points for each carriage. These are arranged on front sides or lateral of the end plate from the carriages (Figure 4.10). Per lubrication interval the amounts of the lubricant indicated in Chapter 4.6 have to be introduced in each of the carriages individually.

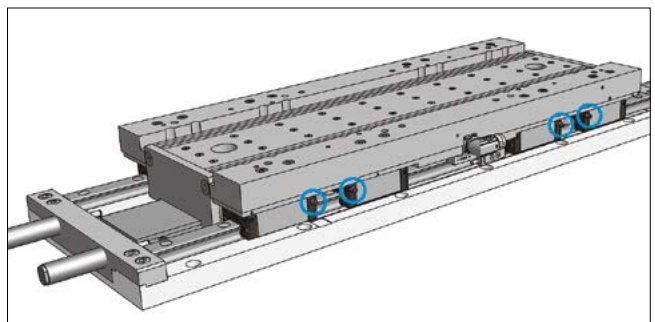


Figure 4.10 ___ Lubrication points AXLM

3.6 Amounts of lubricant

Linear guides, track roller guides, ball screws and trapezoidal screws require different lubricants (Chapter 3.3) and amounts of lubricant.

The following tables contain the information to the corresponding amounts of lubricant for re-lubrication with the standard lubricant for the respective guiding and drive elements.

The amounts of the lubricant for for the re-lubrication of Linear Axis with Linear guides are summarized in Table 4.3.

Guiding system of the Linear Axis from the series **AXC, AXF, AXDL, AXLT, AXLM** and **AXS** with linear guides (Guiding system A, B, C, D, E, G, R, S, T and U)

Table 4.3____ Lubrication amount of the linear guides (Lubrication points without marking or with marking „F“)

Type		Lubrication amount per lubrication point [cm ³]				
		A	B	C	D, R, S, T, U	E, G
AXC						
AXC40			0,05			
AXC60			0,6			
AXC80		0,6	0,8			
AXC100			1,2		0,8	
AXC120			3,2	3,6		
AXF						
AXF100			1,2		0,8	
AXDL						
AXDL110					0,2	0,6
AXDL160					0,8	
AXDL240					2,4	2,8
AXLT						
AXLT155					0,3	0,3
AXLT225					0,4	0,4
AXLT325					1,6	1,6
AXLT455					2,0	
AXLM						
AXLM155					0,2	0,3
AXLM225					0,4	0,5
AXLM325					1,6	1,8
AXS (without Telescopic Axis)						
AXS120			1,6	1,6		
AXS200					1,6	1,6
AXS230					1,6	1,6
AXS280					2,3	2,3
AXS300			2,8			
AXS460					2,3	2,3
AXS500					2,8	2,8
AXS Telescopic axis						
AXS110TA	Guiding level 1				0,3	
	Guiding level 2				0,4	
AXS120T_	Guiding level 1				1,2	
	Guiding level 2				3,2	
AXS200T_	Guiding level 1				0,4	
	Guiding level 2				1,6	
AXS240T_	Guiding level 1				1,6	1,8
	Guiding level 2				4,8	4,8
AXS280TH	Guiding level 1				2,3	
	Guiding level 2				6,4	
AXS280TV	Guiding level 1				1,8	
	Guiding level 2				4,8	

Guiding system of the Linear Axis from the series AXC and AXDL with Track roller guides (Guiding system L und M)

For Linear Axis of the AXC series in tilted position, the lubrication amount increases by a factor specified in Table 4.4. In the overhead position, this factor is to be applied only for the first re-lubrication.

For Linear Axis of the AXDL series, the factor is only to be applied for the first re-lubrication in tilted and overhead position.

Table 4.4____ Lubrication amount of the track roller guides (Lubrication points without marking or with marking „F“)

Type	Factor	Lubrication amount per lubrication point [cm ³]	
		L	M
AXC			
AXC40	3	0,4	0,4
AXC60	5	0,4	0,4
AXC80	2	2,0	2,0
AXC100	3	2,0	2,0
AXC120	3	2,0	2,0
AXDL			
AXDL110	3	1,0	1,0
AXDL160	4	1,5	1,5
AXDL240	5	2,8	2,8

Guiding system of the Linear Axis from the series AXF with polymer track roller guide (Guiding system P)

The guiding system of this Linear Axis is maintenance free.

Guiding system and ball screw drive of the Linear Axis from the series AXBG

For Linear Axis of the AXBG series, the lubrication of the guiding system is supplied via grease nipples. The lubrication is to be carried out on each carriage.

For re-lubrication of the ball screw drive the lubricant must be applied directly onto the screw drive over the entire length.

Table 4.5____ Lubrication amount of the Linear Axis AXBG

Type	Lubrication amount per lubrication point [cm ³]				Lubrication amount ball screw [cm ³ /100mm]
	A	B	C	D	
AXBG					
AXBG15	0,5	0,5			0,5
AXBG20	0,5	0,5			0,5
AXBG26	1,0	1,0			1,0
AXBG33	2,0	2,0	1,5	1,5	2,0
AXBG46	5,0	5,0	3,5	3,5	3,0
AXBG55	7,0	7,0			4,0

Ball screws of the Linear Axis from the series **AXC, AXF, AXDL and AXLT** (Drive version SN and SV)

The necessary lubrication amount of the ball screw drives depends on diameter and pitch.

Table 4.6 ____ Lubrication amount of the ball screw drives (Lubrication points with the marking „S“)

Type	Lubrication amount per lubrication point [cm ³]							
	S_05	S_10	S_16	S_20	S_25	S_32	S_40	S_50
AXC								
AXC40	1,0	1,5						
AXC60	1,5	1,7	2,0					
AXC80	2,0			3,0				
AXC100	2,5	3,0			4,0			
AXC120	3,5	4,0		5,0		6,0		
AXF								
AXF100	2,5	3,0			4,0			
AXDL								
AXDL110	2,0	2,2	2,5					
AXDL160	5,0	6,0		6,0				6,5
AXDL240	6,5	7,0		8,0		9,0		
AXLT								
AXLT115	2,0			3,0				
AXLT225	2,5	3,0			4,0			
AXLT325	3,5	4,0		5,0		6,0		
AXLT455	4,0	5,0		6,0			14,0	

Rack and pinion drive of the Linear Axis from the series **Baureihen AXS** (Drive version M, TH and TV)

The rack and pinion drive is optimally supplied with lubricant by an automatic lubricator in combination with a felt gear wheel. No additional maintenance is required.

Sliding screws of the Linear Axis from the series **AXF** (Drive version GN)

The sliding screws of this Linear Axis are maintenance free.

Trapezoidal screws of the Linear Axis from the series **AXC, AXF, AXDL and AXLT** (Drive version TN and TV)

Trapezoidal screws are open drive units without sealing elements which retain the lubricant in the system. The necessary lubrication amount of the trapezoidal screw drives depends on diameter and pitch.

Table 4.7 ____ Lubrication amount of the trapezoidal screw drives (Lubrication points with the marking „T“)

Type	Lubrication amount per lubrication point [cm ³]							
	T_03	T_04	T_05	T_06	T_07	T_08	T_10	T_12
AXC								
AXC40	2,0							
AXC60		2,5				2,5		
AXC80		3,0				3,0		
AXC100			4,0				4,0	
AXC120				5,5				5,5
AXF								
AXF100			4,0				4,0	
AXDL								
AXDL110		2,5				2,5		
AXDL160			4,0				4,0	
AXDL240				5,5				5,5
AXLT								
AXLT115		3,0				3,0		
AXLT225			4,0				4,0	
AXLT325				5,5				5,5
AXLT455					6,0			

3.7 Lubrication intervals

Delivery condition

SNR Linear Axis have already an initial lubrication on delivery. After assembly, the Linear Axis should be lubricated by the in the operating manual described lubrication points with the indicated amounts. For an optimal grease distribution in the system, this process should take place in two to three steps with intermediate movement over a longer stroke.

When restarting a system after a prolonged shutdown, a relubrication with the double amount of lubricant which is specified in Chapter 4.6 is recommended.

When the lubricant is changed at any time during the operation of the system, the miscibility of the lubricants must be absolutely tested.

Influence factors

The lubrication intervals are influenced by many factors (Chapter 3.2). The biggest influence usually has the load and the existing contamination. The information given here is only a guideline. The exact lubrication intervals can only be determined after testing under real operating conditions and assessment over a sufficiently long period for the specific application.

Special application conditions

For special applications (for example, food industry) other lubricants can be required.

Linear guides for the series AXC, AXF, AXDL, AXLT, AXLM and AXS

The lubrication intervals of the linear guides are shown in the diagram in Figure 4.11, depending on the contamination. For Linear Axis with inside placed guiding systems the lubrication intervals form one degree of pollution lower could be applied. In Table 4.8 the corresponding protection options are summarized for the different degrees of pollution.

Table 4.8 ___ Degrees of pollution for Linear axis

Degree of pollution	Application area	Possible protection option
Without pollution	- Clean rooms - Laboratories - very clean working areas	Cover strip
Low level of pollution	- Assembling areas with very low occurrence of dust and dirt	Without
Medium level of pollution	- Assembling areas with higher occurrence of dirt - Production halls	- Cover strip - Bellow - Cover plate
Strong pollution	- Production areas with massive exposure to dust, chips, cooling lubricant...	- Cover strip - Sealing air connection - Side seals - Felt wiper

As the lubricant manufacturers give no general guarantee for the service life time of their products, we recommend at low kilometerages a regreasing interval of at least once a year.

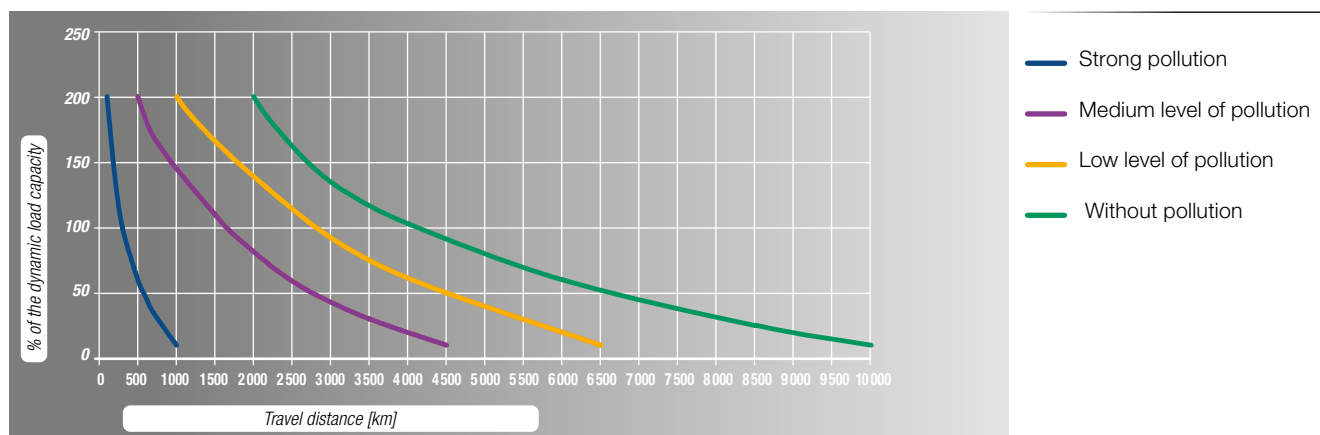


Figure 4.11 ___ Re-lubrication interval of linear guides

If necessary, longer lubrication intervals are possible, after consultation with the lubricant manufacturer for a defined application. For re-lubrication, mineral oil-based lithium soap greases KP2-K according to DIN 51825 and NLGI class 2 are to be used, otherwise the compatibility must be checked.

Greases containing solid additives (for example, graphite or MoS₂) shall not be used.

Track roller guides of the series AXC and AXDL

We recommend a re-lubrication interval of 5,000 km or once a year. An oil with a kinematic viscosity of 460 mm² / s according to DIN51562 at 40 ° C is to be used for re-lubrication.

Ball screws of the series AXC, AXF, AXDL and AXLT

Ball screws have the advantage of long travel distances without being re-lubricated. This means that a re-lubrication system can be omitted in many cases.

To reach the longest possible re-lubrication interval, greases K2K according to DIN 51825 and with higher loads KP2K with NLGI class 2 according to DIN 51818 are preferred.

Greases containing solid additives (for example, graphite or MoS₂) shall not be used.

However, since the lubricant manufacturers give no general guarantee for the service life time of their products, we recommend a re-greasing interval depending on the screw pitch even shown in Table 4.9 or annually.

The recommendations are applicable under the following conditions:

- Load ≤ 0,2 C
- Minimum number of revolutions 100 min⁻¹
- Permanent temperature on the nut of the ball screw up to 60°C
- Maximum temperature on the nut of the ball screw 80°C

Table 4.9___ Re-greasing intervals of ball screws

Pitch [mm]	5	10	16	20	25	32	40	50
Re-greasing interval [km]	250	500	800	1000	1250	1600	2000	2000

Trapezoidal screws of the series AXC, AXF, AXDL and AXLT

For trapezoidal screws, we recommend re-lubrication intervals of 10... 20 km. For the re-lubrication are mineral oil-based lithium soap greases KP2-K according to DIN 51825 and NLGI class. 2 to use.

Greases containing solid additives (for example, graphite or MoS₂) can be used for trapezoidal screws.

Toothed rack of the series AXS

The rack and pinion drive is optimally supplied with lubricant by an automatic lubricator DRIVE BOOSTER 120 in combination with a felt rack-wheel. The system is filled with the grease SNR LUB HEAVY DUTY. On delivery the emptying time of 12 months is settled. Only if the specified kilometerage of Table 4.10 of one year is exceeded, an emptying time of 6 months is to set. After this time, the lubricant tank and the battery must be replaced.

In special circumstances the equipping of the Linear Axis with greasing systems integrated in the machine control, different lubricants or lubricant tank volumes are possible. In these cases, the lubricant tank is according to a sample or to the serial number and the battery set (not applicable for externally driven systems) to specify.

For the determination of maintenance intervals, please contact our NTN-SNR application engineers.

Table 4.10___ Re-greasing intervals for toothed racks

Type	Guiding system	Module	km / 100cm ³
AXS120TH	D	2	80 000
AXS120TV	D	2	80 000
AXS120M_	B, C	2	40 000
AXS200ME	D, E, G	3	32 000
AXS200MP	D, R	2	40 000
AXS200TH	D	2	80 000
AXS200TV	D	in preparation	
AXS230MB	D, E, G	4	24 000
AXS240TH	D, E	3	64 000
AXS280MB	D	5	24 000
AXS280MP	D, R, S, T, U	2	40 000
AXS280TH	D	3	64 000
AXS280TV	D, E, G, H	4	48 000
AXS300MP	B	3	32 000
AXS460MP	R, S, T	3	32 000
AXS500MP	R, T	3	32 000

3.8 Brush wiper replacement

Linear Axis of the series AXC can be equipped with brush wipers. To replace the brush wipers, remove the fastening screws **1**, replace the brush wipers **2** and fix them with the fastening screws **1** again (Figure 4.12).

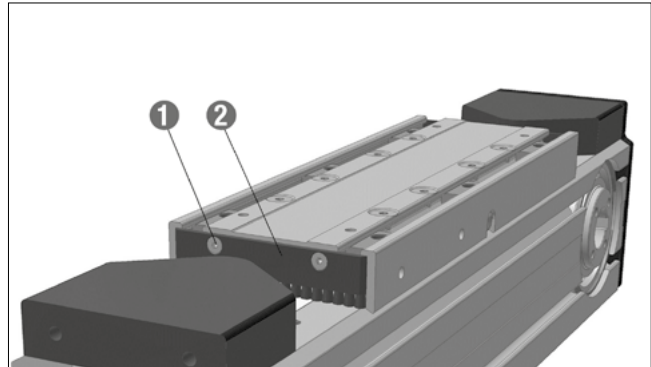


Figure 4.12 __ Fastening of the brush wipers

The brush wipers are included in the wear part sets (Chapter 4.9.3, Table 4.6) of the respective Linear Axis.

3.9 Cover strip replacement

3.9.1 Cover strip replacement for Linear Axis of the series AXC

For the replacement of the cover strip for Linear Axis of the series AXC, the following steps in accordance to Figures 4.13 up to 4.17 must be observed:

1. Disassemble the screws **1** and remove the slider plate **2** (Figure 4.13) (omitted for AXC100).
2. For Linear Axis with screw drive (Figure 4.14), disassemble the screws of the cover strip clamping **3** and **5** and remove the clamping plates **4** and **6**. For Linear Axis with toothed belt drive (Figure 4.15), disassemble the fastening screws of the end position dampers **8** and remove the end position dampers **9**.
3. Remove the cover strip **7**.
4. Make sure that the guiding roller **10** in the table unit and the pressure roller **11** in the slider plate can be easily moved and are free from wear, if applicable and clean or replace them (Figure 4.16). In the case of wear-related replacement of the cover strip, we always recommend replacing the guiding and pressure rollers as well (wear part sets see Chapter 4.16).
5. Insert new cover strip. The cover strip has a trapezoidal cross-section. When fitting the new cover strip, make sure that the wide area is below (Figure 4.17). Under moderate pressure with the hand or a smooth, not sharp-edged tool, the cover strip snaps into the groove and flushes to the upper profile edge.
6. To fasten, tighten the cover slightly and follow the steps 1 and 2 in reverse order.
7. Check the cover strip tension (it may not grind on the inside of the slider plate) and cut off the overlaying cover strip. Finally assemble the brush wipers.

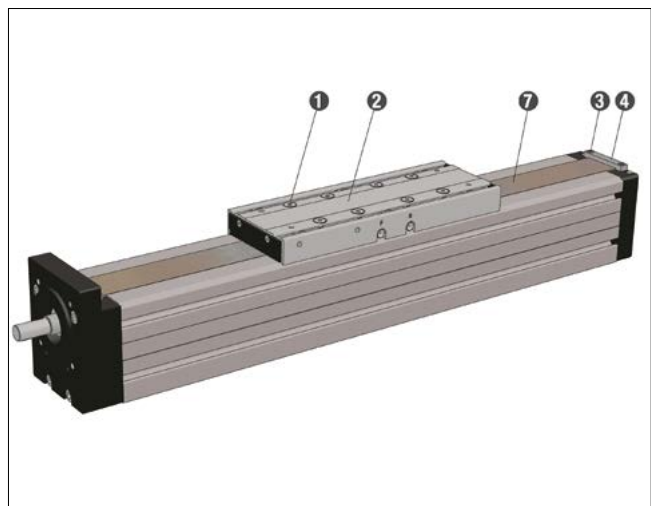


Figure 4.13 __ Cover strip replacement

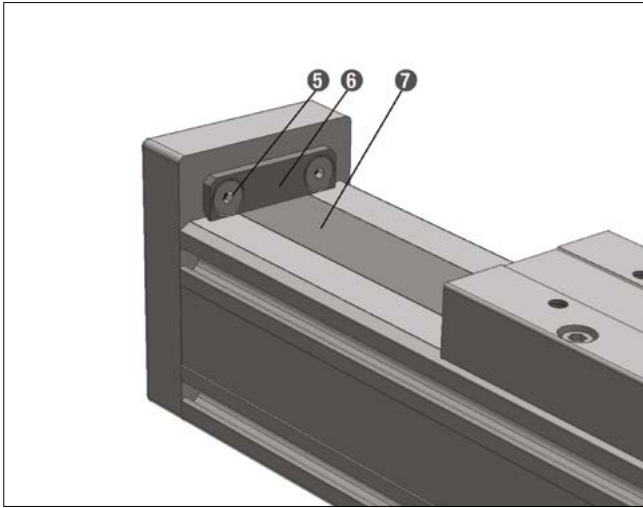


Figure 4.14 __ Cover strip fastening for screw drive axis

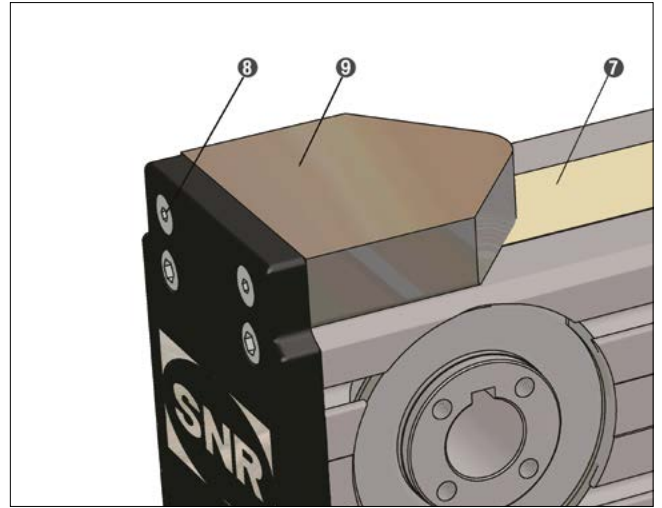


Figure 4.15 __ Cover strip fastening for toothed belt axis

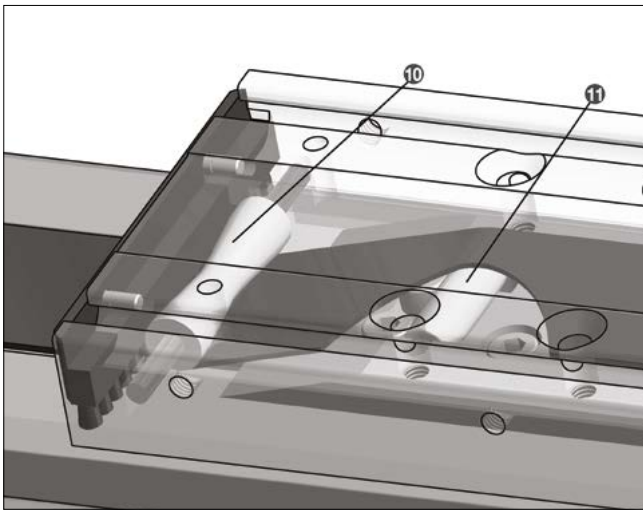


Figure 4.16 __ Cover strip deflection

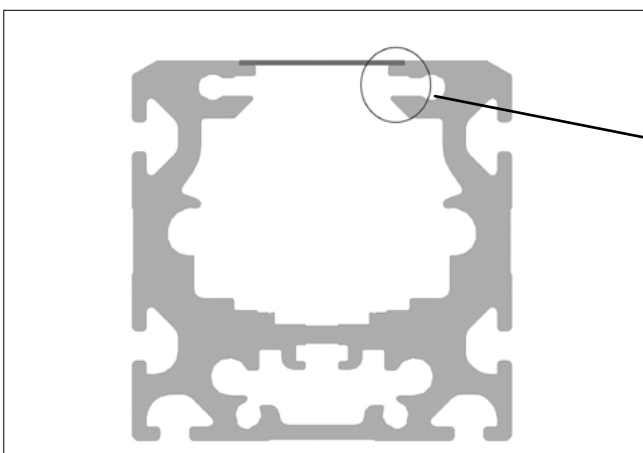


Figure 4.17 __ Cover strip cross section

To perform these maintenance corresponding wear part sets (Chapter 3.10 Table 4.11) can be ordered. The wear part sets contain the brush wipers including the fastening screws and the guiding and pressure rollers with the shafts.

3.9.2 Cover strip replacement for Linear Axis of the series AXDL

For the replacement of the cover strip for Linear Axis of the series AXDL, the following steps in accordance to Figure 4.18 must be observed:

1. Disassemble grease nipple ①. Remove the disc ② and the cover strip deflection ③.
2. Disassemble the fastening screws ④ and remove the clamping plates ⑤.
3. Pull the cover strip ⑥ out and replace it by a new one.
4. To fasten, tighten the cover slightly and follow the steps 1 and 2 in reverse order. Here the cover strip should not rub against the table. This can be checked by inspection holes in the base of the table grooves (closed with plastic caps).

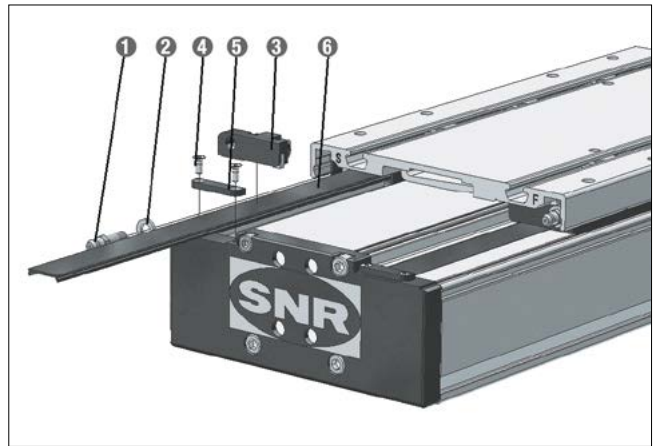


Figure 4.18 __ Cover strip replacement

3.10 Wear part sets

For Linear Axis of the series AXC and AXDL are wear parts sets and sealing kits available. Table 4.11 summarizes the wear parts sets and the coverstrips including the ID numbers.

To achieve an optimal sealing effect, the cover strip for Linear Axis of the series AXC (except AXC100) is cut precisely to the respective profile. For an order, the serial number of the Linear Axis is required, to cut the exact width of the cover strip.

The length of the cover strip is specified in meters. To mount the cover strip ensure the ordered length should be about 200 to 300 mm longer than the Linear Axis.

The cover strips for Linear Axis of the series AXDL and AXC100 can be used universally. The order length of cover strip is rounded up to the next meter.

Table 4.11 __ Wear part sets sealing kits and cover strips

Type	Configuration version	Type code Wear part set	ID - Number	Type code Cover strip	ID - Number
AXC40	A	AXC-SP-40-A-WPS	401040	AX-SP-CST-40-[width]-[length] ¹	depending on the width and length
	Q, U	AXC-SP-40-Q/U-WPS	461385		
	R	AXC-SP-40-R-WPS	461386		
AXC60	A	AXC-SP-60-A-WPS	258120	AX-SP-CST-60-[width]-[length] ¹	depending on the width and length
	D	AXC-SP-60-D-WPS	461387		
	Q, U	AXC-SP-60-Q/U-WPS	461388		
	R	AXC-SP-60-R-WPS	461389		
AXC80	A	AXC-SP-80-A-WPS	254152	AX-SP-CST-80-[width]-[length] ¹	depending on the width and length
	K	AXC-SP-80-K-WPS	461390		
	Q, U	AXC-SP-80-Q/U-WPS	461391		
AXC100	A	AXC-SP-100-A-WPS	461377	AX-SP-CST-100-65-[length]	depending on the length
	D	AXC-SP-100-D-WPS	461379		
	Q, U	AXC-SP-100-Q/U-WPS	461381	on request	
	B, M	AXC-SP-100-B/M-WPS	461378		
AXF100	A	AXF-SP-100-A-WPS	461392	AX-SP-CST-100-65-[length]	depending on the length
	Q	AXF-SP-100-Q-WPS	461394		
	R, S	AXF-SP-100-R/S-WPS	461396		
	U	AXF-SP-100-U-WPS	461398	on request	
	B, M	AXF-SP-100-B/M-WPS	461393		
AXC120	A	AXC-SP-120-A-WPS	257256	AX-SP-CST-120-[width]-[length] ¹	depending on the width and length
	K	AXC-SP-120-K-WPS	461382		
	Q, U	AXC-SP-120-Q/U-WPS	461383		
	R	AXC-SP-120-R-WPS	461384		
AXDL110	all	AX-SP-110-A-WPS	268344	AX-SP-CST-U-19-[length]	depending on the length
	D, K	AX-SP-110-KIT-S215	203547		
AXDL160	all	AX-SP-160-A-WPS	268345		
	D, K	AX-SP-160-KIT-S240 ²	202918		
		AX-SP-160-KIT-S280 ³	203039		
AXDL240	all	AX-SP-240-A-WPS	268346		
	D, K	AX-SP-240-KIT-S330 ⁴	203255		
		AX-SP-240-KIT-S500 ⁵	288999		

¹ Indication of the serial number of the Linear Axis for the cutting of the cover strip necessary

² Table length 240 mm ³ Table length 280 mm

⁴ Table length 330 mm ⁵ Table length 500 mm

Notes

Lined area for notes with horizontal ruling lines.

1. Systemtechnologie

1.1 Definitionen

Linearachsen stellen einbaufertige Einheiten aus einer Kombination von präzisen Führungs- und Antriebselementen dar. Dadurch sind Linearachsen mit ihren Variationsmöglichkeiten kostengünstige und von den Abmessungen äußerst kompakte Bauelemente für Maschinen, mit denen Anlagen in kürzester Zeit montiert und in Betrieb genommen werden können.

Für die Auswahl der Linearachsen können nachfolgende Kriterien Grundlage sein:

WIEDERHOL-GENAUIGKEIT	Bei der Wiederholgenauigkeit wird ein beliebiger Punkt mehrfach aus einer Richtung vom gleichen Ausgangspunkt angefahren und die Abweichung zum Sollwert gemessen. Der Vorgang wird für verschiedene Punkte wiederholt. $\pm 50\%$ der Differenz zwischen maximaler und minimaler Abweichung wird als Wiederholgenauigkeit angegeben.
POSITIONIER-GENAUIGKEIT	Bei Messung der Positioniergenauigkeit werden mehrere Punkte in einer Richtung angefahren und die Differenz zwischen Sollweg und tatsächlich zurückgelegtem Weg gemessen. Die Positioniergenauigkeit ist die absolute Maximaldifferenz.
LAUFPARALLELITÄT	Eine mittig auf der Schlitteneinheit montierte Messuhr wird über den gesamten Hub verfahren. Die Laufparallelität ist die maximale Differenz der Ablesewerte.
UMKEHRSPIEL VON KUGELGEWINDE-TRIEBEN	Die Schlitteneinheit wird mittels des Kugelgewindetriebes gegen eine Messuhr als Referenzpunkt verfahren. Dann wird die Schlitteneinheit in gleicher Richtung durch eine äußere Kraft belastet und anschließend entlastet. Das Umkehrspiel ist die maximale Differenz zwischen Referenzpunkt und der Position nach Be- und Entlastung.
LOSBRECHMOMENT	Das Losbrechmoment ist das Antriebsmoment, das nötig ist um die Haftreibung des Systems zu überwinden und die Bewegung zu starten.

Für die Auswahl der SNR - Linearachsen stehen ebenfalls unsere Vertriebs- und Anwendungsingenieure mit langjährigen Erfahrungen zur Verfügung.

1.2 Einbauerklärung für eine unvollständige Maschine (Machinery directive 2006/42/EG)

Hiermit erklärt der Hersteller SNR WÄLZLAGER GMBH, Friedrich-Hagemann-Straße 66, D-33719 Bielefeld, Germany der unvollständigen Maschinen der Produktfamilien „Linearachse AX“ und „Linearachssystem AS“:

- Folgende grundlegende Sicherheits- und Gesundheitsschutzanforderungen nach Anhang I der Direktive 2006/42/EG sind angewandt und eingehalten:
 - Allgemeine Grundsätze:
 - 1.1. Allgemeines
 - 1.3. Schutzmaßnahmen gegen mechanische Gefährdungen
 - 1.5. Risiken durch sonstige Gefährdungen
 - 1.6. Instandhaltung
 - 1.7. Informationen
- Die speziellen technischen Unterlagen nach Anhang VII B wurden erstellt.
- Wir werden der zuständigen Behörde ggf. die vorgenannten speziellen technischen Unterlagen in Form von speziellen technischen Unterlagen gemäß Anhang VII Teil B übermitteln.
- Die vorgenannten speziellen technischen Unterlagen können bei der Qualitätssicherungsabteilung, SNR Wälzlager GmbH, Friedrich-Hagemann-Straße 66, D-33719 Bielefeld angefordert werden.
- Die Konformität mit den Bestimmungen der EN ISO 12100 2010 "Sicherheit von Maschinen – Allgemeine Gestaltungsgrundsätze - Risikobeurteilung und Risikominderung"
- Die Inbetriebnahme ist so lange untersagt, bis festgestellt wurde, dass - soweit zutreffend - die Linearachse oder das Linearachssystem, die in eine unvollständige Maschine eingebaut werden soll, den Bestimmungen der der Maschinenrichtlinie 2006/42/EG entspricht.



i.V. Ulrich Gimpel
(Industry Engineering Division Head)
SNR WÄLZLAGER GMBH - Friedrich-Hagemann-Straße 66 D-33719 Bielefeld, Germany
Bielefeld, Dezember 2020

1.3 Sicherheitshinweise



Das Gerät ist dem heutigen Stand der Technik und den geltenden Vorschriften entsprechend gebaut. Das Gerät entspricht der EU-Richtlinie Maschinen, den harmonisierten Normen, Europannormen oder den entsprechenden nationalen Normen. Dies wird durch eine Herstellererklärung bestätigt.

Es gelten selbstverständlich einschlägige Unfallverhütungsvorschriften, allgemein anerkannte sicherheitstechnische Regeln, EU-Richtlinien, sonstige zutreffende Normen und länderspezifische Bestimmungen.

Da die Lineareinheiten in den unterschiedlichsten Bereichen eingesetzt werden können, geht die Verantwortlichkeit der spezifischen Anwendung mit dem Einsatz auf den Anwender über.

Von diesem Gerät gehen unvermeidbare Restgefahren für Personen und Sachwerte aus. Deshalb muss jede an diesem Gerät arbeitende Person, die mit dem Transport, Aufstellen, Bedienen, Warten und Reparieren des Gerätes zu tun hat, eingewiesen sein und die möglichen Gefahren kennen. Dazu muss die Informationen über Montage, Inbetriebnahme, Wartung und Schmierung verstanden sein und beachtet werden.

1.4 Bestimmungsgemäße Verwendung

Grundsätzlich sind SNR - Linearachsen für lineare Bewegung, wie sie beim Positionieren, Takten, Transportieren, Palettieren, Beladen, Entladen, Klemmen, Spannen, Prüfen, Messen, Hantieren und Manipulieren von Werkstücken oder Werkzeugen vorkommen, vorgesehen. Hierbei sind die Typspezifischen Belastungsdaten aus den jeweiligen Katalogunterlagen bzw. ergänzenden technischen Berechnungen von NTN-SNR zu berücksichtigen.

Weiterhin ist eine Betriebstemperatur von -10°C bis $+75^{\circ}\text{C}$ einzuhalten.

1.5 Koordinatensystem

Die Linearachsen können mit Kräften und / oder Momenten belastet werden. Das Koordinatensystem (Bild 2.1) zeigt die wirkenden Kräfte in den Hauptlastrichtungen, die Momente sowie auch die sechs Freiheitsgrade.

Kräfte in Hauptlastrichtungen:

- F_x Vorschubkraft (X-Richtung)
- F_y Tangentiale Belastung (Y-Richtung)
- F_z Radiale Belastung (Z-Richtung)

Momente:

- M_x Rotation um die X - Achse (Rollen)
- M_y Rotation um die Y-Achse (Nicken)
- M_z Rotation um die Z-Achse (Gieren)

Weiterführend bestehen im Bereich der Antriebselemente Verletzungsgefahren durch rotierende oder andersartig bewegte Bauteile. Bei in Betrieb befindlicher Linearachse besteht insbesondere im Bereich der Endlagendämpfer und der Endschalter erhöhte Quetschgefahr durch den bewegten Schlitten.

Auf diese Restgefahren hat der Anwender durch Schilder oder schriftliche Verhaltensregeln hinzuweisen. Alternativ kann der Anwender diese Restgefahren durch geeignete konstruktive Maßnahmen beseitigen oder weitestgehend ausschließen.

Bei hohen Geschwindigkeiten, besonderen Applikationen und ggf. bei Aufsummierung mehrerer Geräuschquellen kann sich der Geräuschpegel erhöhen. Der Anwender muss entsprechende Schutzmaßnahmen treffen.

Die Inbetriebnahme der Lineareinheiten ist solange untersagt, bis sichergestellt wurde, dass die Maschine oder Anlage, in die sie eingebaut worden sind, den Bestimmungen der EU-Richtlinie Maschinen, den harmonisierten Normen, Europannormen oder den entsprechenden nationalen Normen entspricht.

Eine andere oder darüber hinausgehende Verwendung gilt als nicht bestimmungsgemäß. Für hieraus resultierende Schäden haftet der Hersteller nicht. Das Risiko trägt allein der Anwender. Die Linearachse darf nur von Personen betrieben und gewartet werden, die hiermit vertraut und über die Gefahren unterrichtet sind.

In besonderen Anwendungsfällen (z.B. Lebensmittelindustrie, Reinraum usw.) können besondere Vorkehrungen getroffen werden, die von den Standardausführungen abweichen.

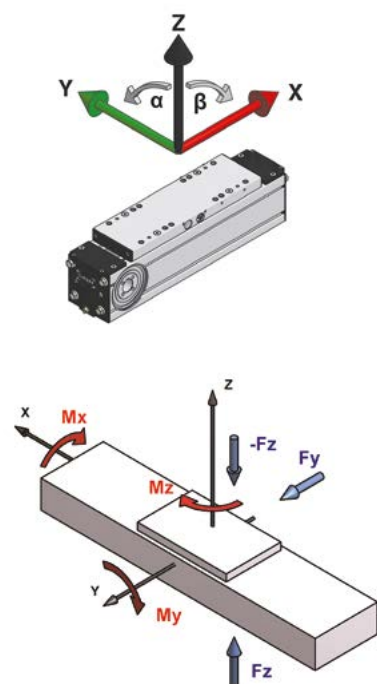


Bild 2.1 _____ Koordinatensystem

1.6 Statische Belastbarkeit

Die in den Datentabellen angegebenen Werte der statischen Belastbarkeit der Linearachsen (außer AXBG) stellen die maximal mögliche Last dar, die aufgebracht werden kann.

Die Belastungen (radiale und tangentiale) sowie Momentenbelastungen können gleichzeitig aus verschiedenen Richtungen auf die Linearachse wirken (Bild 2.2).

In diesem Fall wird eine maximale äquivalente Belastung, die sich aus radialen, tangentialen und anderen Belastungen zusammensetzt, für die Überprüfung eingesetzt. Hierzu muss die Stelle im Bewegungszyklus lokalisiert werden, in der das Zusammenwirken aller Belastungen den Maximalwert hat.

Bei komplexen Belastungen empfehlen wir, den Kontakt zu unseren NTN-SNR – Anwendungingenieuren aufzunehmen.

Ein minimaler Sicherheitsfaktor für die statische Belastbarkeit ist hier nicht vorgegeben.

Die statische Belastbarkeit darf nicht mit der statischen Sicherheit verwechselt werden, die bei Auslegungen von Linearführungen angegeben wird. Nur bei den Achsen der Baureihe AXBG ist die statische Sicherheit zu bestimmen, da hier die Belastungen direkt auf die Führungswagen wirken.

Die statische Belastbarkeit einer Linearachse resultiert aus der maximalen Belastbarkeit aller verbundenen Bauteile in deren Zusammenwirken und ist geringer als die statische Tragzahl des Führungssystems.

Eine zusätzliche Überprüfung der statischen Sicherheit des Führungssystems ist nicht erforderlich.

Sind Linearachsen im Betrieb statischen Wechselbeanspruchungen ausgesetzt, sind hier die Werte der dynamischen Belastbarkeit als Maximalwerte anzusetzen.

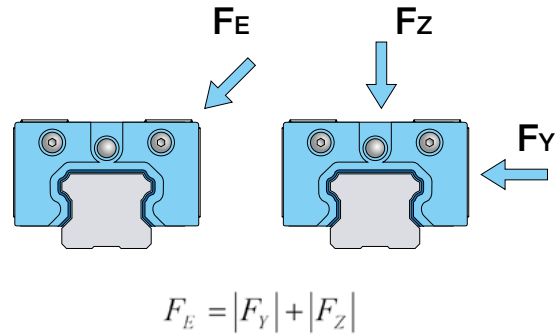


Bild 2.2 _____ Äquivalente Belastung

1.7 Lebensdauer

1.7.1. Dynamische Belastbarkeit / nominelle Lebensdauer

Die Katalogangaben der dynamischen Belastbarkeit der Linearachsen (außer AXBG) beruhen auf der nominellen Lebensdauer von 50.000 km bei Zahnriemenachsen, von 25.000 km bei Spindelachsen und von 10.000 km von Linearachsen mit Polymerlaufrollenführungen. Die Veränderung der nominellen Lebensdauer in Abhängigkeit der Belastung ist in Bild 2.3 dargestellt.

Liegen die Belastungen unter den beschriebenen Grenzwerten, ist

keine weitere Überprüfung notwendig.

Soll die nominelle Lebensdauer der Linearachse berechnet werden, sind die Grundlagen für die Berechnungen von Linearführungen, Kugelgewindetrieben, Zahnstangen und Laufrollen anzuwenden, die in dem entsprechenden Katalog beschrieben sind.

Bei Linearachsen der Baureihe AXBG sind diese Rechenvorschriften immer anzuwenden.

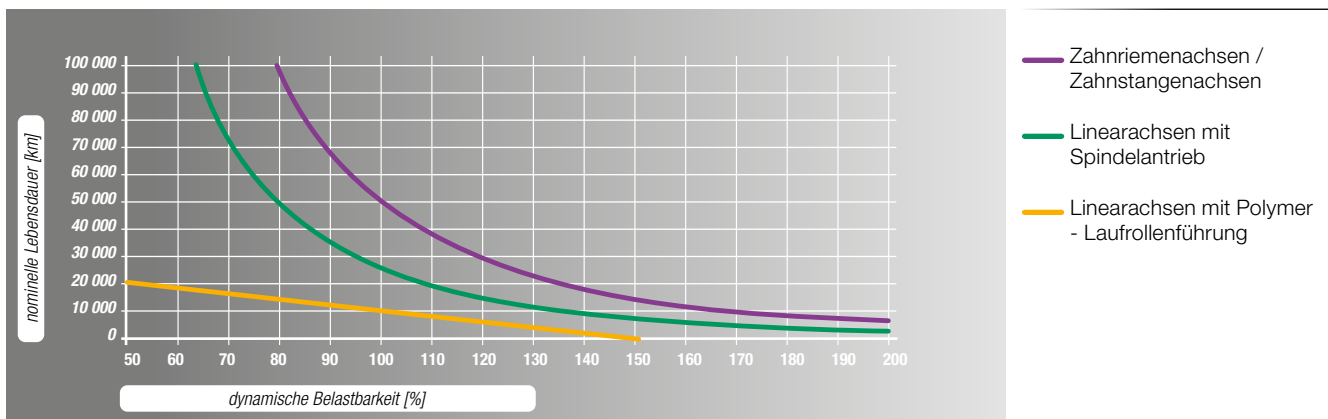


Bild 2.3 _____ Nominelle Lebensdauer

Wenden Sie sich bitte bei höheren dynamischen Lasten an unsere NTN-SNR – Anwendungingenieure oder nutzen Sie bei komplexen Belastungen unseren Berechnungsservice.

1.7.2. Einflussfaktoren

Für eine Berechnung der nominellen Lebensdauer ist es oft sehr schwer, die wirkende Belastung exakt zu bestimmen

- Die Linearachsen werden in der Regel den Schwingungen bzw. Vibrationen, die durch die Prozess- oder Antriebskräfte entstehen, ausgesetzt.
- Linearachsen sind so zu Abmessungenieren, dass die Lastspitzen von Stöße die maximal zulässigen Belastungen nicht überschreiten. Das betrifft den dynamischen sowie den statischen Zustand des Gesamtsystems.

1.8 Steifigkeit

Die Steifigkeit einer Linearachse wird über den Zusammenhang zwischen der äußeren Belastung und der daraus resultierenden elastischen Verformung in Belastungsrichtung definiert.

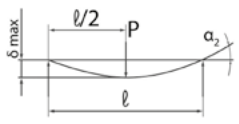
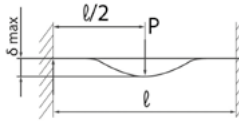
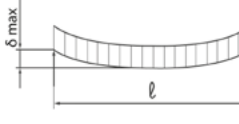
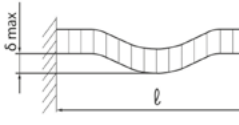
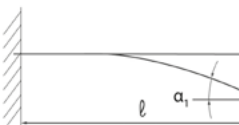
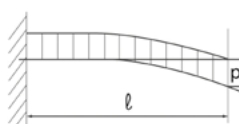
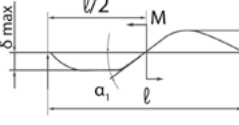
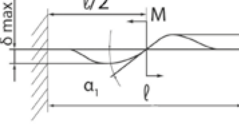
Die Steifigkeit ist ein wichtiger Parameter bei der Auswahl der Linearachse, da je nach Typ und Ausführung die SNR - Linearachsen unterschiedliche Steifigkeitswerte haben. Im Wesentlichen wird die Steifigkeit der Linearachse durch die Steifigkeit des Aluminiumprofils bestimmt.

Die Gesamtverformung eines Systems hängt noch von folgenden äußeren Faktoren ab:

- Art der Belastung (Punkt-, Strecken- oder Momentenbelastung)
- Art der Befestigung der Linearachse
- Länge der Linearachse
- Abstand der Befestigungspunkte

Einige Beispiele für die Berechnung der Durchbiegung von Linearachsen sind in Tabelle 2.1 dargestellt.

Tabelle 2.1 __ Beispiele Durchbiegung von Linearachsen

Auflagerart	Belastungsart	Spezifikation	Durchbiegung	Biegewinkel
Loslager - Loslager	Punktlast		$\delta_{\max} = \frac{Pl^3}{48EI}$	$\alpha_1 = 0$ $\tan \alpha_2 = \frac{Pl^2}{16EI}$
Festlager - Festlager	Punktlast		$\delta_{\max} = \frac{Pl^3}{192EI}$	$\alpha_1 = 0$ $\alpha_2 = 0$
Loslager - Loslager	Streckenlast		$\delta_{\max} = \frac{5pl^4}{384EI}$	$\tan \alpha_2 = \frac{pl^3}{24EI}$
Festlager - Festlager	Streckenlast		$\delta_{\max} = \frac{pl^4}{384EI}$	$\alpha_2 = 0$
Festlager - Frei	Punktlast		$\delta_{\max} = \frac{Pl^3}{3EI}$	$\tan \alpha_1 = \frac{Pl^2}{2EI}$ $\alpha_2 = 0$
Festlager - Frei	Streckenlast		$\delta_{\max} = \frac{pl^4}{8EI}$	$\tan \alpha_1 = \frac{pl^3}{6EI}$ $\alpha_2 = 0$
Loslager - Loslager	Momentenlast		$\delta_{\max} = \frac{\sqrt{3}Ml^2}{216EI}$	$\tan \alpha_1 = \frac{Ml}{12EI}$ $\tan \alpha_2 = \frac{Ml}{24EI}$
Festlager - Festlager	Momentenlast		$\delta_{\max} = \frac{Ml^2}{216EI}$	$\tan \alpha_1 = \frac{Ml}{16EI}$ $\tan \alpha_2 = 0$

1.9 Dynamische Betriebslast

Bei Linearachsen mit Zahnriemenantrieb ist die vorhandene dynamische Betriebslast zu ermitteln und mit der zulässigen dynamischen Betriebslast zu vergleichen.

Die dynamische Betriebslast wird nach der Formel [2.2] ermittelt.

$$F_{z\,dyn} = \frac{T_0 * 2\pi}{P} + m * a + m * g * \sin \alpha$$

[2.2]

$F_{z\,dyn}$	vorhandene dynamische Betriebslast [N]
T_0	Leerlaufdrehmoment [Nm]
P	Vorschubkonstante [m]
m	bewegte Massene [kg]
a	Beschleunigung [ms^{-2}]
g	Gravitationskonstante [$9,81 \text{ ms}^{-2}$]
α	Einbaulage [°]

$$F_{z\,dyn\,0} \geq F_{z\,dyn}$$

[2.3]

$F_{z\,dyn\,0}$	zulässige dynamische Betriebslast [N]
$F_{z\,dyn}$	vorhandene dynamische Betriebslast [N]

1.10 Präzision

Die Laufparallelität von Linearachsen wird hauptsächlich durch die Toleranzen der verwendeten Aluminiumprofile bestimmt. Die von uns verwendeten Profile erfüllen mindestens die Anforderungen der EN12020-2 für Präzisionsprofile.

Linearachsen mit Zahnriemen - Ω - Antrieb der Baureihe AXDL_A und Hubachsen der Baureihe AXS, die in der Regel freitragend eingesetzt sind, werden bis zu der in den Datentabellen angegebenen Länge, mit verbesserten Geradheitstoleranzen hergestellt. Durch die Profilbearbeitung wird bei diesen Linearachsen eine Geradheit von 0,1 mm/m erreicht.

Die häufigste Anforderung in Anwendungen von Linearachsen ist die Wiederholgenauigkeit. Diese Werte sind in den Datentabellen für alle SNR – Linearachsen angegeben. Weitere Angaben gibt es in den Datentabellen nur zu den SNR – Präzisionsachsen AXBG, die auf Stahlbasis hergestellt sind

Für weitere Informationen stehen Ihnen unsere NTN-SNR Anwendungingenieure zur Verfügung.

1.11 Getriebeauswahl

Bei der Auswahl des Getriebes für eine Linearachse ist Folgendes zu berücksichtigen:

- Maximale Betriebsdrehzahl
- Maximales Beschleunigungsmoment
- Nenndrehmoment am Abtrieb

Diese Parameter berücksichtigen die mechanischen und thermischen Grenzen des Getriebes und sind Herstellerangaben, die nicht überschritten werden dürfen.

1.11.1. Maximale Betriebsdrehzahl

$$n = \frac{v * 60}{P}$$

[2.4]

n	vorhandene Betriebsdrehzahl [min ⁻¹]
v	Geschwindigkeit [ms ⁻¹]
P	Vorschubkonstante [m]

$$n_{\max} \geq n$$

[2.5]

n _{max}	maximale zulässige Betriebsdrehzahl [min ⁻¹]
n	vorhandene Betriebsdrehzahl [min ⁻¹]

1.11.2. Maximales Beschleunigungsmoment

$$T_{\max} = T_0 + \frac{m * a * P}{2\pi} + \frac{m * g * \sin \alpha * P}{2\pi}$$

[2.6]

T _{max}	vorhandenes Beschleunigungsmoment [Nm]
T ₀	Leerlaufdrehmoment [Nm]
P	Vorschubkonstante [m]
m	bewegte Massene [kg]
a	Beschleunigung [ms ⁻²]
g	Gravitationskonstante [9,81 ms ⁻²]
α	Einbaulage [°]

$$T_{a\max} \geq T_{\max}$$

[2.7]

T _{a max}	maximal zulässiges Beschleunigungsmoment [Nm]
T _{max}	vorhandenes Beschleunigungsmoment [Nm]

1.11.3. Nenndrehmoment am Antrieb

$$T = T_0 + \frac{m * g * \sin \alpha * P}{2\pi}$$

[2.8]

T	vorhandenes Drehmoment am Abtrieb [Nm]
T ₀	Leerlaufdrehmoment [Nm]
P	Vorschubkonstante [m]
m	bewegte Massene [kg]
g	Gravitationskonstante [9,81 ms ⁻²]
α	Einbaulage [°]

$$T_a \geq T$$

[2.9]

T _a	zulässiges Nenndrehmoment am Abtrieb [Nm]
T	vorhandenes Drehmoment am Abtrieb [Nm]

1.12 Antriebsauslegung

- NTN-SNR bietet als Kundenservice die Montage von kundenseitig beigestellten Antrieben an.
- Für die Auslegung der beigestellten Antriebe übernimmt NTN-SNR keine Gewährleistung.
- Berechnungen von Antrieben sind ausschließlich durch die jeweiligen Antriebshersteller durchzuführen.
- Der Grund dafür liegt darin, dass NTN-SNR nicht über die erforderlichen Berechnungstools und Basisdaten dieser Antriebe verfügt.

1.13 Auswahl von Linearachsen mit Zahnriemenantrieb für um 90° gekippte Montage (Wandmontage)

Bei Linearachsen mit Zahnriemenantrieb in 90° gekippter Anordnung (Wandmontage) kann sich der Zahnriemen während des Betriebs durch die Schwerkraft nach unten an die Bordscheiben verlagern. Aus diesem Grund empfehlen wir die in Tabelle 2.2 angegebenen Hub - Grenzlängen nicht zu überschreiten.

Tabelle 2.2 __ Hub-Grenzlängen von Linearachsen mit Zahnriemenantrieb

Baureihe	Typ	Hub - Grenzlänge [mm]
AXC	AXC40Z	1500
	AXC60Z	2000
	AXC80Z	2500
	AXC100Z	3000
	AXC120Z	3000
AXDL	AXDL110Z	2000
	AXDL160Z	2500
	AXDL240Z	3000
AXF	AXF100Z	3000
AXS	AXS280Z	3000

Ist die Montage der Linearachsen in dieser Position vorgesehen, ist dies in der Bestellung anzugeben.

Weiterhin ist während des Betriebs der zentrierte Lauf des Zahnriemens zusammen mit der in Kapitel 4.7 spezifizierten Wartung der Linearachsen zu überprüfen.

2. Montage und Inbetriebnahme

2.1 Transport und Lagerung

SNR- Linearachsen sind hoch präzise Bauteile. Heftige Stöße können die Mechanik der Linearachsen beschädigen und ihre Funktion beeinträchtigen. Um Schäden bei Transport und Lagerung zu vermeiden, sind folgende Punkte zu beachten:

- Schutz vor starken Erschütterungen bzw. Stößen, aggressiven Medien, Feuchtigkeit und Schmutz.
- Beim Transport in ausreichend großer Verpackung unterbringen und gegen Verrutschen sichern.
- Linearachsen können größere Gewichte haben und scharfe Kanten aufweisen. Der Transport darf nur durch qualifiziertes Personal mit entsprechender Schutzausrüstung (Sicherheitsschuhe, Handschuhe...) erfolgen.
- Linearachsen und Verpackungen mit Linearachsen können größere Längen aufweisen. Die Achsen und deren Verpackungen sind beim Transport an mindestens zwei Stellen, bei Längen ab 3 m an drei Stellen aufzunehmen, um eine übermäßige Durchbiegung zu verhindern.

2.2 Gestaltung Montageflächen / Montagetoleranzen

Jede Abweichung der Ebenheit, Geradheit und Parallelität von Linearachsen oder montierten Achssystemen führt zu Verspannungen, die zusätzliche Belastungen der Führungselemente verursachen und die Lebensdauer verringern. **Grundsätzlich gilt: Je höher Belastung und Laufleistung, desto höher sind die Anforderungen an die Montage und Ausrichtung der Linearachse oder des Achssystems.**

Für eine einwandfreie Funktion von Einzelachsen oder Achssystemen ist die Geradheit in Längsrichtung durch die Ausrichtung der Einzelachsen entsprechend Tabelle 3.1 zu gewährleisten:

Tabelle 3.1 __ Geradheitstoleranz für Montage von Linearachsen

Baugröße	Geradheitstoleranz nach Montage / pro Meter [mm]
alle	0,5

Bei parallelen Linearachsen ist die zulässige Toleranz in der Ebenheit (Verwindung) und der Durchbiegung in Längsrichtung weiterhin abhängig von der Torsionssteifigkeit der Y - Achse oder der Quertraverse. Die hieraus resultierenden Momentenbelastungen (M_y) dürfen die Katalogwerte (abzüglich Lastmoment) nicht überschreiten.

Zu beachten ist, dass gleichzeitige Abweichungen in Geradheit (Tabelle 3.1), Ebenheit, Durchbiegung und Parallelität (Toleranzen e_0 und e_1 , Tabelle 3.2) zu einer Addition der Belastungen auf das Führungssystem führen und anteilig berücksichtigt werden müssen.

Sollen die Tische parallel montierter Linearachsen steif verbunden werden, sind weitere Anforderungen an die Beschaffenheit der Montageflächen zu berücksichtigen. Für eine parallele Montage sind hauptsächlich die Linearachsen der Baureihen AXC und AXF geeignet.

Ist die parallele Montage von Linearachsen anderer Baureihen vorgesehen, wenden Sie sich bitte zur Auswahl an unsere NTN-SNR – Anwendungsingenieure.

Die Montageflächen der Linearachsen, wie auch die für die der Quertraverse sollten im Montagebereich in einer Aufspannung bearbeitet werden oder justierbar sein. Dabei sind für die Geradheit quer zur Bewegungsrichtung (Bild 3.1) der Montageflächen die Basistoleranzen e_0 und die Parallelitätstoleranzen e_1 der Linearachsen aus Tabelle 3.2 anzustreben.

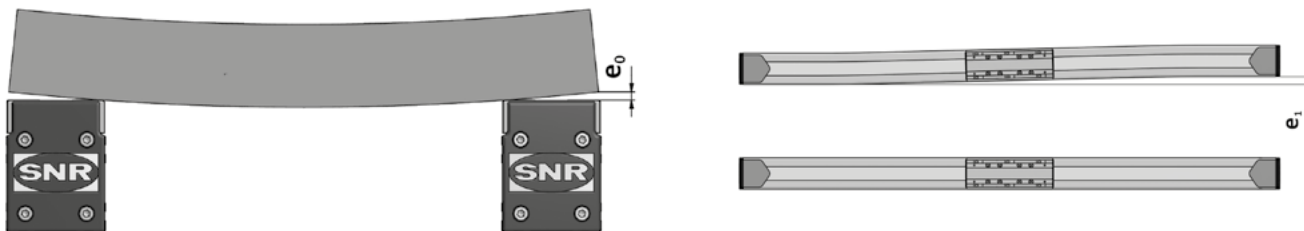


Bild 3.1 Toleranzen von parallelen Linearachsen

Tabelle 3.2 Montagetoleranzen von parallelen Linearachsen

Typ	Basistoleranzen e_0 [mm]	Parallelitätstoleranzen e_1 [mm]
AXC60	0,010	0,018
AXC80	0,010	0,020
AXC100 / AXF100	0,020	0,022
AXC120	0,020	0,030

Ist eine Bearbeitung der Montageflächen nach o.g. Anforderung nicht vorgesehen oder wird dieser Wert durch die Durchbiegung der Traverse überschritten, ist eine Kontrolle der Parallelität vorzunehmen und ggfs. eine Korrektur durchzuführen. Das Diagramm in Bild 3.2 zeigt den Zusammenhang der Montagetoleranzen mit der möglichen dynamischen Belastbarkeit.

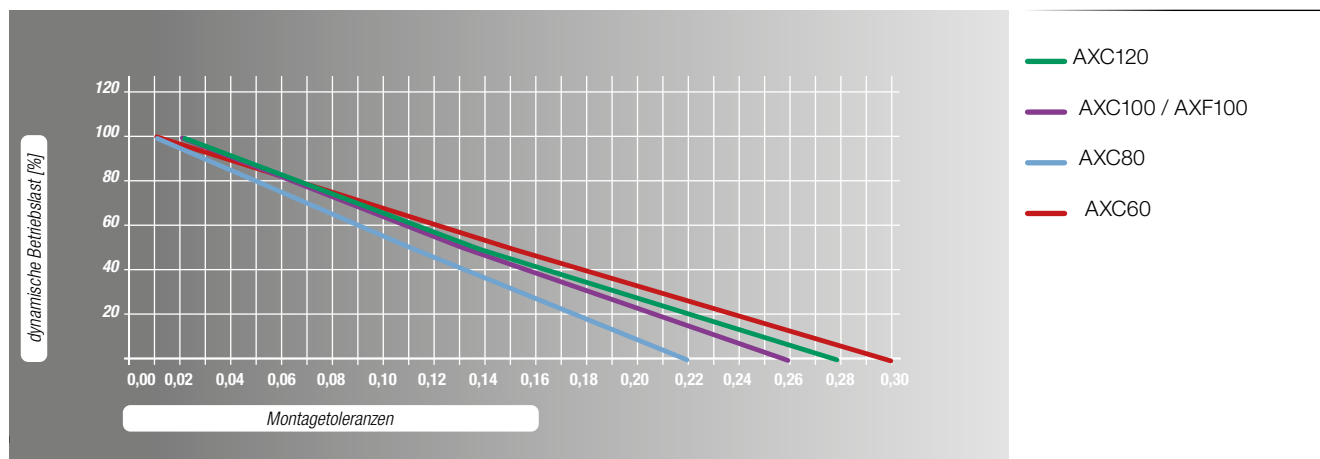


Bild 3.2 dynamische Belastbarkeiten von Linearachsen in Abhängigkeit der Montagetoleranzen

2.3 Montageanleitung

Bei der Montage der Linearachse (unvollständige Maschine) müssen unten aufgeführte Bedingungen erfüllt sein, damit sie ordnungsgemäß und ohne Beeinträchtigung der Sicherheit und Gesundheit des Personals mit anderen Teilen zu einer vollständigen Maschine zusammengesetzt werden kann.



Achtung! Das Motorgehäuse kann im Betrieb hohe Temperaturen erreichen.

Maschinenteile sollten so ausgelegt werden, dass sie nicht im Resonanzbereich der Linearachse liegen.

SNR - Linearachsen der Baureihe AXC und AXDL können durch Nutensteine oder Befestigungsleisten auf ebenen Flächen oder anderen Linearachsen aus dem SNR-Programm befestigt werden. Die Anzahl der Befestigungspunkte muss auf die Anwendung abgestimmt werden. Bei punktueller Auflage der Linearachse ist darauf zu achten, dass die entstehende Durchbiegung weder die Funktion noch die geforderte Genauigkeit beeinträchtigt. Die Befestigungsleisten werden seitlich am Linearachsprofil eingehakt und ermöglichen dank ihrer speziellen Formgebung eine einfache Montage durch eine Verschraubung von oben (Bild 3.3).

Sie können innerhalb der gesamten Profillänge frei positioniert werden.

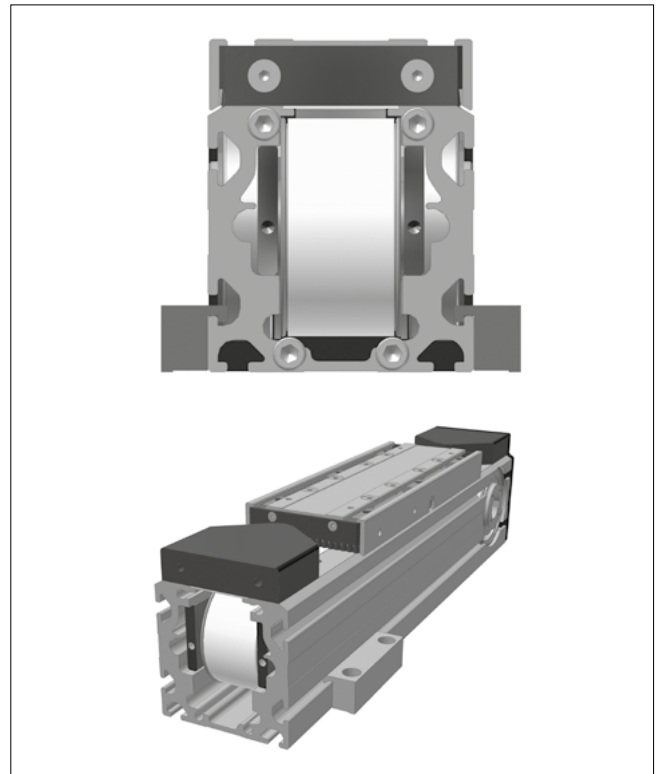


Bild 3.3 _____ Befestigungsleisten AXC / AXDL

Alternativ können alle Linearachsen auch über einschwenkbare Nutensteine befestigt werden, die ebenfalls über die gesamte Länge frei positioniert werden können (Bild 3.4).

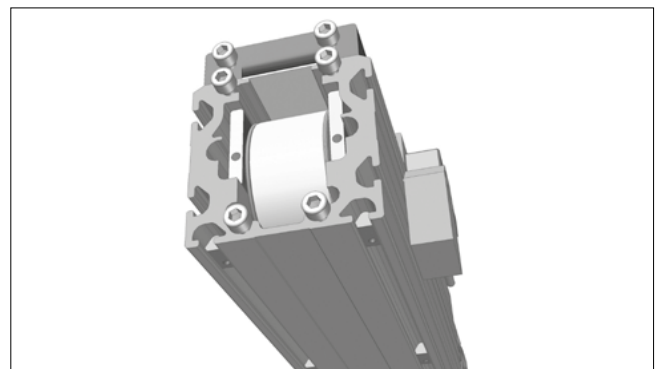


Bild 3.4 _____ Nutensteine AXC / AXDL

Für die Linearachsen der Baureihen AXLT und AXLM stehen ebenfalls zwei Befestigungsmöglichkeiten zur Verfügung, entweder durch eine direkte Verschraubung von oben oder über einschwenkbare Nutensteine für die Nuten auf der Unterseite der Basisplatte. Die Nutsteine können über die gesamte Länge frei positioniert werden (Bild 3.5).

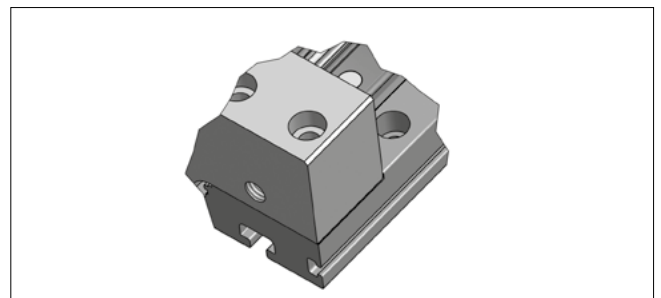


Bild 3.5 _____ Befestigung AXLT / AXLM

Linearachsen der Baureihe AXBG können von oben durch das U – förmige Schienenprofil verschraubt werden (Bild 3.6).

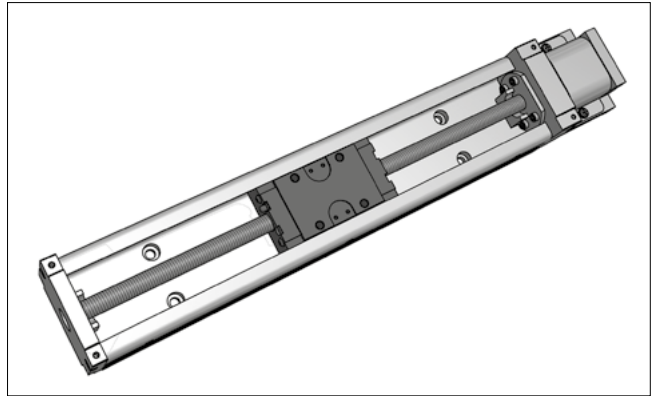


Bild 3.6 _____ Befestigung AXBG

Die Linearachsen der Baureihe AXF können mittels Befestigungselementen (Bild 3.7), Hammerschrauben (Bild 3.8) oder Hammermuttern auf ebenen Flächen oder anderen Linearachsen montiert werden. Bei dieser Baureihe sind alle Profilmutter verschlossen und müssen an den notwendigen Aufnahmepunkten geöffnet werden.

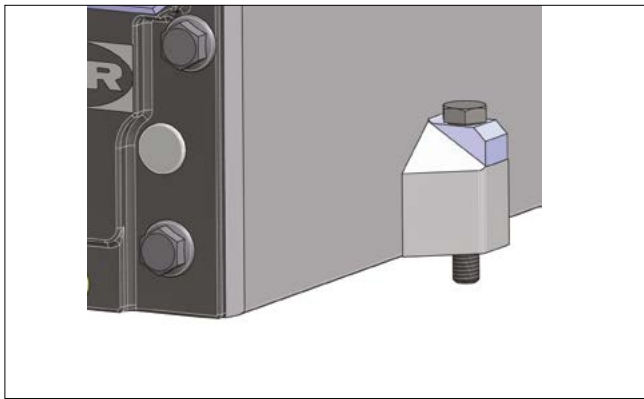


Bild 3.7 _____ Befestigungselement AXF

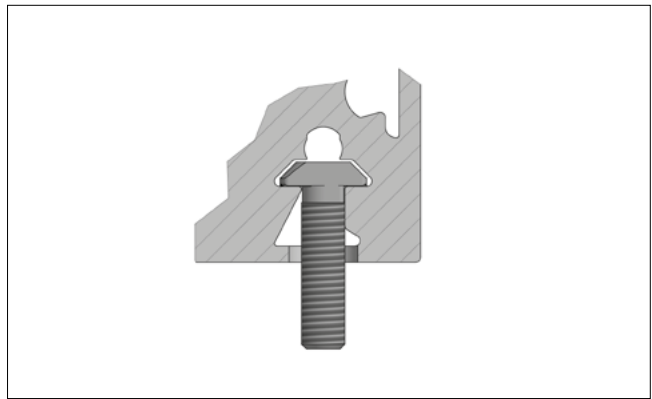


Bild 3.8 _____ Hammerschraube AXF

Grundsätzlich ist bei allen Befestigungsarten die Anzahl der Befestigungspunkte auf die Anwendung abzustimmen. Bei punktueller Auflage ist darauf zu achten, dass die entstehende Durchbiegung weder die Funktion noch die geforderte Genauigkeit beeinträchtigt.

2.4 Montage von parallelen Linearachsen

Grundsätzlich empfehlen wir parallele Linearachsen mit Hilfe der montierten Quertraverse auszurichten. Dieses ist die einzig sichere Methode, Verspannungen und damit Beeinträchtigungen der Laufleistung auf ein Minimum zu reduzieren. Die Montage ist entsprechend nachfolgender Schritte durchzuführen:

1. Erste Linearachse (Antriebsachse) gerade ausrichten und komplett montieren.
2. Zweite Linearachse parallel ausrichten und nur leicht anziehen.
3. Tische in eine Endlage schieben.
4. Traverse (oder Querachse) auflegen.
5. Bei zu erwartender relevanter Durchbiegung, Last aufbringen oder simulieren.
6. Parallelität mit Fühlerlehre prüfen. Ggfs. Folienbleche unterlegen oder Winkellage der Linearachsen korrigieren.
7. Traverse (oder Querachse) ausrichten und befestigen.
8. Befestigungsschrauben der parallelen Linearachse lösen, so dass eine leichte Verschiebung möglich ist.
9. Den Tisch an die jeweilige Montageposition fahren und Schrauben anziehen. Mit den Endlagen beginnen.
10. Abschließend Verbindung an den Tischen noch einmal komplett lösen und wieder anziehen

2.5 Inbetriebnahme von Linearachsen

Linearachsen können schnelle Bewegungen mit großer Kraft erzeugen. Anbauten an den Schlitten können bei Kollision zu Personen- oder Sachschäden führen. Deshalb sollte bei der Inbetriebnahme mit größter Vorsicht vorgegangen werden.

Weiterhin ist bei der Inbetriebnahme darauf zu achten, dass die zulässigen Belastungen nicht überschritten werden und die Anbauten am Schlitten sicher befestigt sind. Es ist ebenfalls darauf zu achten, dass die maximal möglichen Verfahwege nicht überschritten werden. Wird der Verfahweg über Endschalter begrenzt, sollten diese vorher auf Funktion und korrekte Position geprüft werden.

Bei Vertikalachsen bestehen Gefahren durch ungewolltes Herabsinken. Dagegen muss der Anwender Vorkehrungen entsprechend EN ISO 13849-1 treffen.



Für Schäden, die aus einer Nichtbeachtung dieser Hinweise zur Inbetriebnahme resultieren, haftet der Hersteller nicht. Das Risiko trägt allein der Anwender.

Tabelle 3.3 __ Anzugsmomente der Kupplungsabnen

Typ	Anzugsmoment	
	Klemmnabe [Nm]	Spannringnabe [Nm]
AXBG15S AXBG20S	0,43	-
AXBG26S AXBG33S	0,85	-
AXC40S/T	1,34	-
AXC40A/Z	1,34	1,34
AXBG46S AXBG55S	4,50	-
AXC60A/Z	10,5	3,00
AXC60S/T AXC80S/T AXC100S/T AXF100S/G/T AXC120S/T AXDL110S/T AXDL160S/T AXDL240S/T AXLT155S/T AXLT225S/T AXLT325S/T	10,5	-

Typ	Anzugsmoment	
	Klemmnabe [Nm]	Spannringnabe [Nm]
AXC80A/Z AXDL110Z	10,5	6,00
AXC100Z AXF100Z AXS110TA AXC120A/Z AXDL160A/Z AXDL240A/Z AXLT455S/T	25,0	6,00

2.6 Montage von Kupplungen an Linearachsen mit Zahnriementrieb

Die Kupplungsmontage an Linearachsen mit Zahnriementrieb erfolgt entsprechend nachfolgender Schritte (Bild 3.9):

1. Die Kupplungsnabe mit Passfeder **1** ist bei Lieferung bereits in der Hohlwelle der Linearachse mittels der Befestigungsschrauben **2** verschraubt und mit dem Elastomer-Zahnkranz **3** ausgerüstet.
2. Diese achsseitigen Kupplungsnaben werden wahlweise mit Klemmnaben und Spannschraube **5** für Antriebe mit Passfeder oder mit Spannringnaben **6** kombiniert. Zur Befestigung sind die Schrauben mit den Anzugsmomenten aus Kapitel 2.5, Tabelle 3.3 zu montieren.
3. Beim Einsatz paralleler Linearachsen mit Verbindungswelle kommen Halbschalenklemmnaben **7** zum Einsatz. Diese ermöglichen einen nachträglichen Ein- und Ausbau der Verbindungswelle.

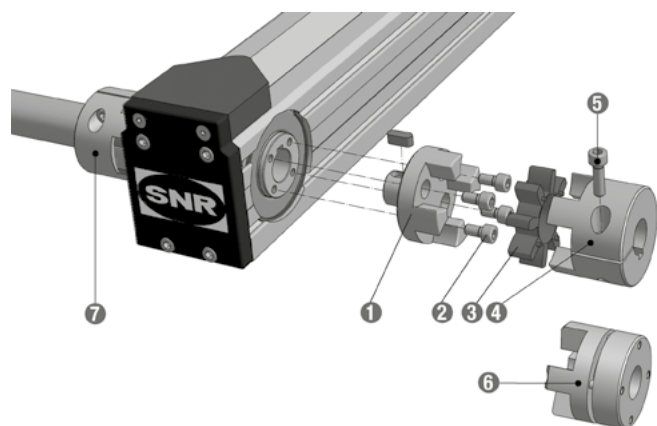


Bild 3.9 ____ Kupplungsmontage an Linearachsen mit Zahnriementrieb

2.7 Motormontage

2.7.1. Motormontage an Linearachsen mit Zahnriemenantrieb und Kupplungsglocke

Die Motormontage an Linearachsen mit Zahnriemenantrieb und Kupplungsglocke hat in nachfolgenden Schritten entsprechend Bild 3.10 zu erfolgen:

1. Bei Lieferung der Linearachsen ist achsseitige Kupplungsnabe mit Elastomer-Zahnkranz **2** bereits montiert.
2. Kupplungsnabe **3** auf die Motor- bzw. Getriebewelle **5** stecken. Dabei das Maß LK (Bild 3.11) aus Tabelle 6.23 in Kapitel 6.2.4.1 berücksichtigen.
3. Spanschraube **4** mit dem erforderlichem Anzugsmoment entsprechend Kapitel 3.5 Tabelle 3.3 anziehen.
4. Motor mit der Kupplungsnabe **3** in die Kupplungsnabe mit Elastomer-Zahnkranz **2** einstecken und mit der Kupplungsglocke **1** verschrauben.

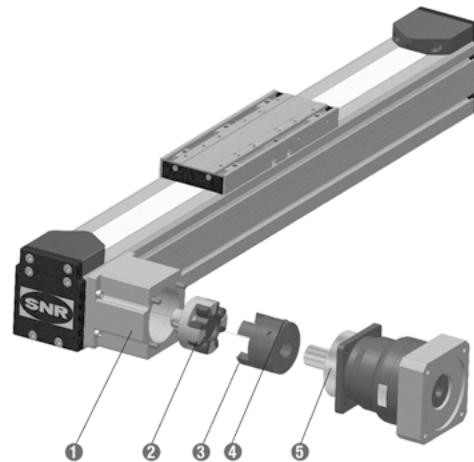


Bild 3.10 ____ Motormontage an Linearachsen mit Zahnriemenantrieb und Kupplungsglocke

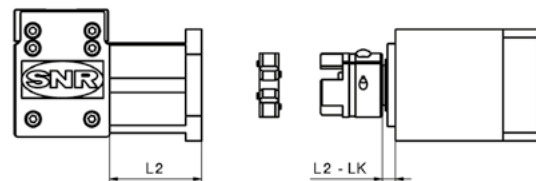


Bild 3.11 ____ Montagemaße

2.7.2. Motormontage an Linearachsen mit Zahnriemenantrieb und Planetengetriebe

Die Motormontage an Linearachsen mit Zahnriemenantrieb und Planetengetriebe hat in nachfolgenden Schritten entsprechend Bild 3.12 zu erfolgen:

1. Linearachse **1** seitlich lagern, so dass der Motoranbauflansch **2** nach oben zeigt.
2. Motorwelle, Bohrung der Hohlwelle und Distanzhülse entfetten.
3. Schlitten **3** verschieben bis die Spanschraube in der Zugangsbohrung **4** sichtbar wird.
4. Bei AXC60 überprüfen, ob der Schlitz in der Distanzhülse um 90° verdreht zur Spanschraube steht
5. Motor einsetzen **5**
6. Spanschraube mit dem erforderlichen Anzugsmoment entsprechend Tabelle 3.4 anziehen. Bei zwei Spanschrauben, Spanschrauben erst manuell leicht anziehen und dann abwechselnd bis zu dem erforderlichen Anzugsmoment entsprechend Tabelle 3.4 anziehen.
7. Befestigungsschrauben eindrehen und anziehen.
8. Bohrung im Motoranbauflansch mit beiliegendem Stopfen verschließen.

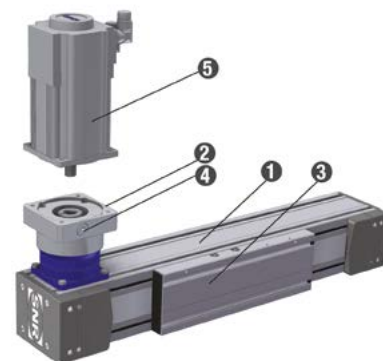


Bild 3.12 ____ Motormontage an Linearachsen Planetengetriebe

Tabelle 3.4 __ Anzugsmomente der Spansschrauben

Schlüsselweite [mm]	Anzugsmoment [Nm] ¹		
	Getriebevariante E / P	AXC60Z / A Getriebevariante E / P	Getriebevariante S
3	4,1	5,0	6,0
4	9,5	9,0	14
5	14	11	29
6	35		52
8	79		

¹ für alle weiteren Ausführungen und bei Abweichungen gilt die Montageanweisung des Getriebeherstellers

Tabelle 3.5 __ Motormontage an Linearachsen mit Spindeltrieb

Typ	Elastomer - Zahnkranz durchbohrt bei Ø Motorwelle ¹	Montagemaß A	Anzugsmoment Spansschraube
	[mm]	[mm]	[Nm]
AXC40S/T	-	7	1,34
AXC60S/T AXC80S/T AXC100S AXDL160S/T AXLT225S/T	19	3	10,5
AXC120S/T AXDL240S/T AXLT325S/T	24	3	10,5
AXLT155	-	7	1,34
AXLT455	-	8	25,0

¹ Bei Motoren mit Passfeder enthält die Lieferung eine kürzere Passfeder zu Austausch

2.7.3. Motormontage an Linearachsen und Lineartischen mit Spindeltrieb

Die Motormontage an Linearachsen und Lineartischen mit Spindeltrieb und Kupplungsglocke hat in nachfolgenden Schritten entsprechend Bild 3.13 zu erfolgen:

1. Kupplungsnahe **2** auf die Motor- bzw. Getriebewelle stecken. Dabei das Maß A (Bild 3.14) aus Tabelle 6.24 in Kapitel 6.2.4.2 und Maß B bei Verwendung eines optionalen Zwischenflansches **5** berücksichtigen.
2. Spanschraube **3** mit dem erforderlichem Anzugsmoment entsprechend Kapitel 3.5 Tabelle 3.3 anziehen.
3. Elastomer-Zahnkranz **4** einsetzen. Bei Motoren mit Passfeder wird bei Wellendurchmesser 19 und 24 mm der Elastomer-Zahnkranz durchbohrt und eine kürzere Passfeder zum Austausch mitgeliefert.
4. Motor mit der Kupplungsnahe **2** und montiertem Zahnkranz **4** in die Kupplungsnahe der Linearachse einstecken und mit der Kupplungsglocke **1** verschrauben.

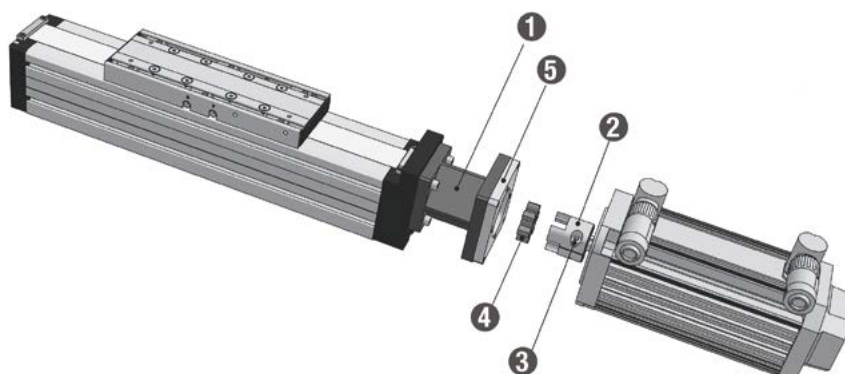


Bild 3.13 ____ Motormontage an Linearachsen mit Spindeltrieb und Kupplungsglocke

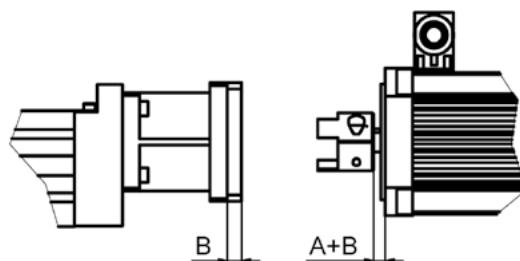


Bild 3.14 ____ Montagemaße

2.8 Montage eines Umlenkriementriebs an Linearachsen und Lineartischen mit Spindeltrieb

Für die Montage eines Umlenkriementriebs an Linearachsen mit Spindeltrieb der Baureihen AXC, AXF, AXDL und AXLT sind die nachfolgenden Schritte entsprechend Bild 3.15 einzuhalten:

1. Gehäuse des Umlenkriementriebs **1** in der gewünschten Position an der Linearachse mit den Befestigungsschrauben **2** montieren.
2. Zahnriemenscheibe **4** mit dem Spansatz **3** auf die Welle der Linearachse aufstecken und die Schrauben mit dem erforderlichen Anzugsmoment aus Tabelle 3.7 montieren.
3. Zahnriemenscheibe **9** mit dem Spansatz **8** auf die Welle des Motors aufstecken und die Schrauben mit dem erforderlichen Anzugsmoment aus Tabelle 3.7 montieren.
4. Motor **6** mit den Schrauben **7** am Motoradapter **10** befestigen.
5. In Gehäuse **1** einsetzen und Befestigungsschrauben **11** des Motoradapters **10** mit leichtem Spiel anziehen (so dass eine leichtgängige Verschiebung möglich ist).
6. Zahnriemen **5** einsetzen.
7. Zahnriemenspannung (Zulässige Belastbarkeit der Motorwelle berücksichtigen, gegebenenfalls Zahnriemenspannung und proportional dazu Antriebsmoment reduzieren):
 - a. Über das Drehmoment
Zahnriemenspannplatte mit geölter Spanschraube **12** am Motoradapter **10** befestigen. Spanschraube **12** mit dem Drehmoment aus Tabelle 3.6 anziehen.
 - b. Mit einem Frequenzmessgerät TOOLSPBELTPRO-SW (Ident Nummer 372992)
Zahnriemenspannplatte mit geölter Spanschraube **12** am Motoradapter **10** befestigen. Spanschraube **12** anziehen. Zahnriemen mit einem Metallstift anschlagen und die Eigenfrequenz mit einem Frequenzmessgerät (Bedienungsanleitung berücksichtigen) messen. Bei Erreichen der Werte aus Tabelle 3.5 ist die korrekte Zahnriemenspannung erreicht.
 - c. Mit der SNR - Zahnriemenspannvorrichtung
Zahnriemenspannvorrichtung an den Motoradapter **10** montieren. Spanschraube solange anziehen, bis der Wert aus Tabelle 3.5 erreicht ist.
8. Befestigungsschrauben **11** des Motoradapters **10** mit dem erforderlichen Drehmoment anziehen (bei Nutzung der SNR - Zahnriemenspannvorrichtung, diese entfernen und den Umlenkriementrieb mit der Zahnriemenspannplatte und der Spanschraube **12** verschließen).
9. Umlenkriementrieb mit dem Deckel **13** verschließen.

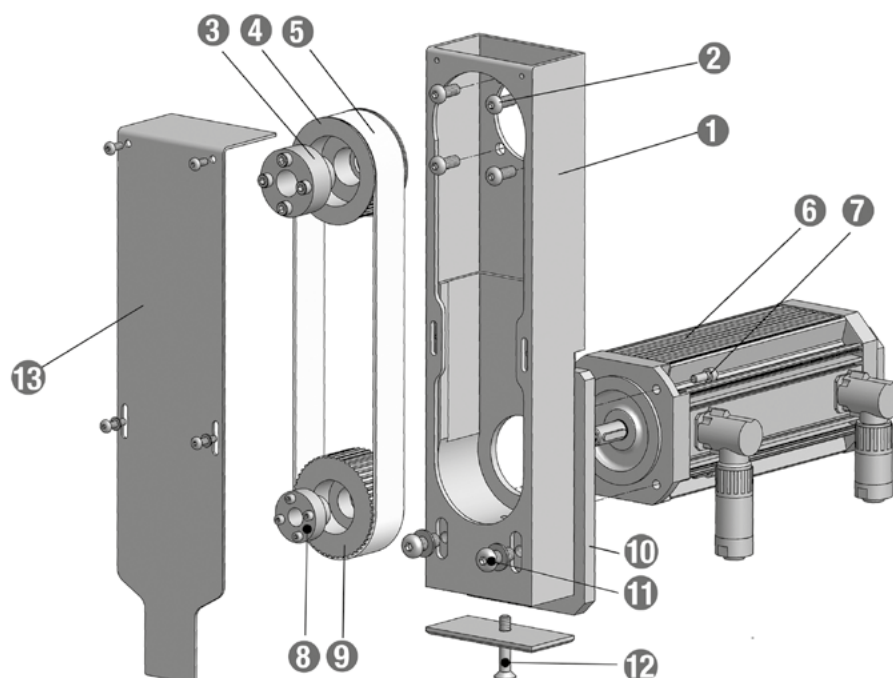


Bild 3.15 ____ Montage Umlenkriementrieb

Tabelle 3.6 __ Parameter Umlenkriementriebe

Baureihe	Typ	Version	Vorspannkraft am Messgerät ¹ [N]	Vorspannkraft am Zahnriemen [N]	Eigenfrequenz ² [Hz]	Drehmoment Spannschraube ³ [Nm]	Abstand Motorflansch - Mitte Zahnriemenrad [mm]	maximal zulässiges Abtriebsmoment (Dauerdrehmoment) ⁴ [Nm]
AXC	AXC60	SN1605	100	50	149	0,2	18	1,8
		SV1605	130	65	170	0,3		2,6
		SN1610	170	85	194	0,4		3,5
		SV1610	250	125	236	0,5		5,3
		SN1616	270	135	245	0,6		5,6
		T_1604	140	70	176	0,3		3,0
		T_1608	210	105	216	0,5		4,5
	AXC80	SN2005	100	50	68	0,2	21	2,1
		SV2005	160	80	85	0,3		3,7
		SN2020	350	175	126	0,8		8,3
		SV2020	630	315	170	1,4		15,0 (11,0)
		SN2050	630	315	170	1,4		15,0
		T_2004	190	95	93	0,4		4,3
		T_2008	260	130	109	0,6		6,0
	AXC100	SN2505	210	105	98	0,5	21	4,8
		SN2510	400	200	135	0,9		9,5
		SN2525	630	315	170	1,4		15,0 (11,0)
		SN2550	630	315	170	1,4		15,0
		TN2405	420	210	138	0,9		10,0
		TN2410	590	295	164	1,3		14,0
		TN2410	590	295	164	1,3		14,0
	AXC120	SN3205	150	75	54	0,4	30	5,6
		SN3210	290	145	74	0,9		11,0
		SN3220	580	290	105	1,7		22,0
		SN3232	630	315	110	1,9		24,0
		T_3606	630	315	98	1,5		19,0
		T_3612	500	250	110	1,9		24,0
T_3612		500	250	110	1,9	24,0		
AXF	AXF100_-D	SN2505	210	105	98	0,5	21	4,8
		SN2510	400	200	135	0,9		9,5
		SN2525	630	315	170	1,4		15,0 (11,0)
		SN2550	630	315	170	1,4		15,0
		TN2405	420	210	138	0,9		10,0
	AXF100_-P	TN2405	190	95	93	0,4	21	4,3
		GN2020	240	120	105	0,5		5,7
		GN2060	550	275	158	1,2		13,0
		GN2090	630	315	170	1,4		15,0
		GN2090	630	315	170	1,4		15,0
AXDL	AXDL110	SN1605	100	50	149	0,2	18	1,1
		SN1610	110	55	156	0,2		2,3
		SN1616	170	85	194	0,4		3,6
		TN1604	100	50	149	0,2		1,9
		TN1608	140	70	176	0,3		2,9
		TN1608	140	70	176	0,3		2,9
	AXDL160	SN2505	110	55	71	0,2	21	2,5
		SN2510	210	105	98	0,5		4,9
		SN2525	510	255	153	1,1		12,0 (11,0)
		SN2550	630	315	170	1,4		15,0
		TN2405	260	130	109	0,6		6,0
		TN2410	380	190	132	0,8		9,0
	AXDL240	S_3205	170	85	57	0,5	30	6,4
		S_3210	350	175	82	1,0		13,0
		S_3220	630	315	110	1,9		24,0
		S_3232	630	315	110	1,9		24,0
		T_3606	580	290	105	1,7		22,0
		T_3612	630	315	110	1,9		24,0
AXLT	AXLT155	SN2005	210	105	163	0,5	21	4,3
		SN2020	460	230	241	1,0		10,0
		TN2004	330	165	204	0,7		7,0
		TN2008	460	230	241	1,0		9,8
	AXLT225	SN2505	230	115	102	0,5	21	5,4
		SN2510	470	235	146	1,0		11,0
		SN2525	630	315	170	1,4		15,0 (11,0)
		SN2550	630	315	170	1,4		15,0
		TN2405	420	210	138	0,9		10,0
		TN2410	590	295	164	1,3		14,0
	AXLT325	SN3205	290	145	74	0,9	30	11,0
		SN3210	550	275	103	1,6		21,0
		SN3220	630	315	110	1,9		24,0
		SN3232	630	315	110	1,9		24,0
		TN3606	630	315	110	1,9		24,0
		TN3612	630	315	110	1,9		24,0
	AXLT455	SN4005	260	130	30	0,8	45	16,0
		SN4010	600	300	45	1,8		38,0
SN4020		1 200	600	64	3,6	76,0		
SN4040		1 650	825	75	4,9	105,0		
TN4007		700	350	49	2,1	44,0		
TN4007		700	350	49	2,1	44,0		

¹ SNR-Zahnriemenspannvorrichtung mit Messgerät

² Zahnriemenspannung mit Frequenzmessgerät

³ Wert ergibt eine Vorspannkraft mit 25% Sicherheit

⁴ Maximal zulässiges Motordrehmoment = Tabellenwert / Übersetzung

Tabelle 3.7 __ Anzugsmomente Spannsatz

Durchmesser Motorwelle	[mm]	≤ 6	≤ 14	> 14
Anzugsmoment Spannsatz	[Nm]	2	5	10

2.9 Montage von Trägerachsen für Paralleleinsatz mit Zahnstangenantrieb

Die Linearachsen AXS120M_ und AXS300MP mit dem Führungssystem B sind speziell für parallel, in großem Abstand anordnete Achsen konzipiert. Für diese Einsatzbedingungen ist auf der Schlitteneinheit ein Ausgleichssystem für Fluchtungsfehler, Wärmedehnung und Synchronlauffehler montiert.

Eine spezielle Ausführung der Kompaktlinearachse AXC120Z kann ebenfalls mit diesem Ausgleichssystem ausgerüstet werden.

Bei der Montage sind die Linearachsen parallel auszurichten und endgültig zu befestigen.

Um das Ausgleichssystem zu aktivieren, muss danach der Zylinderstift **1** (Bild 3.16) entfernt werden.

Der Zylinderstift findet sich an nur einer der zwei parallelen Linearachsen. Die Linearachse mit dem aktivierbaren Ausgleichssystem wird im Typenschlüssel mit der Ausstattungsvariante H gekennzeichnet. Ohne aktivierbarem Ausgleichssystem ist es die Ausstattungsvariante G. In der Regel ist der Zylinderstift an der Linearachse montiert, die nicht mit den Endschaltern und Initiatoren ausgerüstet ist.

Die Führungswagen **2** und der Zahnstangenantrieb **3** der Linearachsen AXS120M_ und AXS300MP sind mit Anschlüssen für Schmieranlagen ausgerüstet. Die Lage der Schmieranschlüsse ist in Bild 3.16 dargestellt.

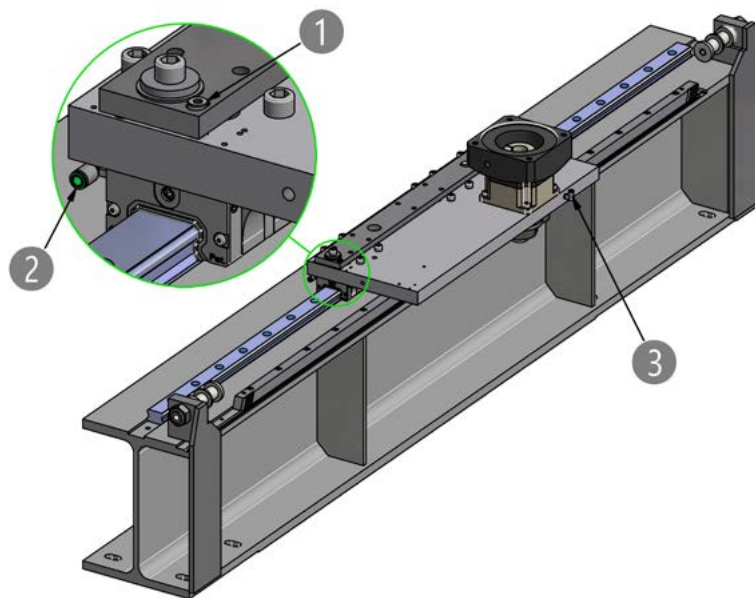


Bild 3.16 ____ Lage des Zylinderstiftes und der Schmieranschlüsse an Trägerachsen für Paralleleinsatz

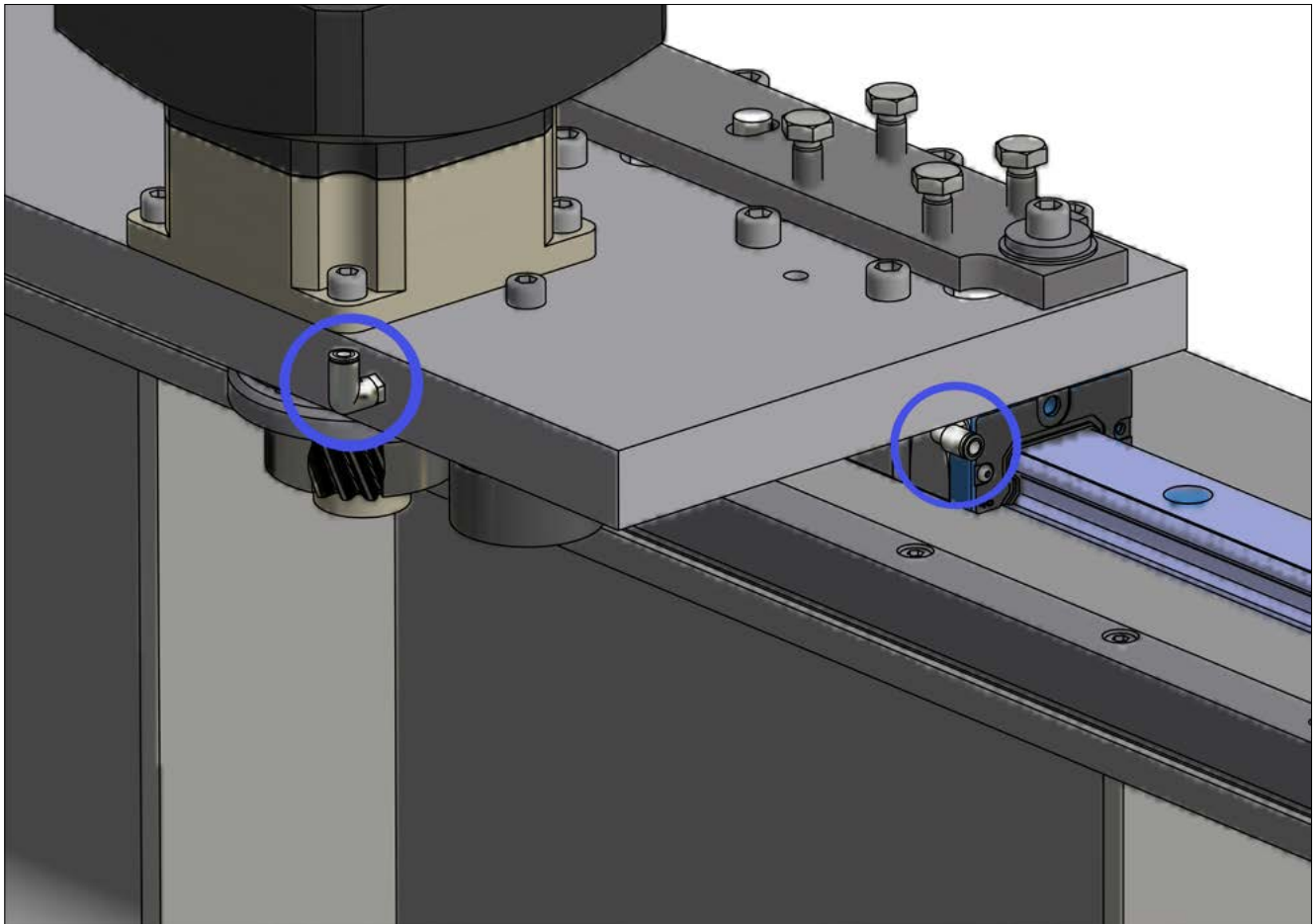


Bild 3.17__Schmieranschlüsse für Zentralschmierysteme

Optional können auch Schmieranlagen oder Schmierstoffgeber und Schmiernippel seitens NTN-SNR verbaut werden.

3. Wartung und Schmierung

3.1 Allgemeine Informationen



Achtung!

Alle Wartungs- und Servicearbeiten an der Linearachse müssen im abgeschalteten und gesicherten Zustand erfolgen.

Das Motorgehäuse kann im Betrieb hohe Temperaturen erreichen.

3.2 Schmierung

Für die zuverlässige Funktion von Linearachsen ist eine ausreichende Schmierung unerlässlich.

Die Schmierung soll einen Schmierfilm (Ölfilm) zwischen den Wälzkörpern und den Laufbahnen der Führungs- und Antriebselemente sicherstellen, um Verschleiß und die vorzeitige Ermüdung der Bauteile zu verhindern.

Darüber hinaus werden die metallischen Oberflächen vor Korrosion geschützt. Weiterhin ermöglicht der Schmierfilm ein ruckfreies Gleiten der Dichtungen über die Oberflächen und mindert ebenso deren Verschleiß.

Eine unzureichende Schmierung erhöht nicht nur den Verschleiß, sie verkürzt zudem erheblich die Lebensdauer.

Eine optimale Auswahl des Schmiermittels hat entscheidenden Einfluss auf die Funktion und die Lebensdauer der Linearachsen. Damit die Funktion des Systems nicht beeinträchtigt wird und über einen langen Zeitraum erhalten bleibt, ist eine Schmierung entsprechend den Umgebungsbedingungen und den spezifischen Anforderungen zu definieren.

Derartige Umgebungsbedingungen und Einflussfaktoren können z.B. sein:

- Hohe bzw. tiefe Temperaturen
- Kondens- und Spritzwassereinwirkungen
- Strahlungsbelastungen
- Hohe Schwingungsbeanspruchungen
- Einsatz im Vakuum und/oder Reinräumen
- Beaufschlagung von speziellen Medien (z.B. Dämpfe, Säuren etc.)
- Hohe Beschleunigungen und Geschwindigkeiten
- Andauernde kurze Hubbewegungen (< 2 x Wagenlänge)
- Schmutz- bzw. Staubeinwirkung

3.3 Schmierstoffe

Für die Schmierung der unterschiedlichen Führungs- und Antriebssysteme der Linearachsen sind unterschiedliche Schmierstoffe geeignet.

Die Schmierstoffe haben hierbei folgende Aufgaben:

- Verminderung der Reibung
- Verringerung des Anlaufmomentes
- Schutz gegen vorzeitigen Verschleiß
- Schutz gegen Korrosion
- Geräuschkämpfung

Linearführungen und Kugelgewindetriebe

Für den Einsatz unter normalen Bedingungen sind Lithiumseifenfette mit der Kennzeichnung KP2-K nach DIN 51825 und der NLGI – Klasse 2 nach DIN 51818 mit EP-Zusätzen einzusetzen. Als Standardfett wird SNR LUB HEAVY DUTY verwendet.

Spezifische Anforderungen unter besonderen Umgebungsbedingungen erfordern die Auswahl eines entsprechend geeigneten Schmierfettes. Grundsätzlich ist hier die Verträglichkeit der Schmierstoffe untereinander bzw. mit dem Konservierungsmittel zu prüfen.

Tabelle 4.1 enthält eine Übersicht der von NTN-SNR verwendeten Schmiermittel für Linearführungen und Kugelgewindetriebe.

Fette mit Festschmierstoffanteil (z.B. Graphit oder MoS₂) dürfen nicht verwendet werden.

Tabelle 4.1 Schmierstoffe für Linearführungen und Kugelgewindetriebe

Bezeichnung	Grundöl / Seifenart	NLGI-Klasse DIN51818	Walk-penetration DIN ISO 2137 bei 25°C [0,1mm]	Grundöl-Viskosität DIN 51562 bei 40°C [mm²/s]	Dichte [mg/cm³]	Eigenschaften	Einsatzbereich
SNR LUB HEAVY DUTY	Mineralöl / Lithium mit Hochdruckadditiven	2	295	ca. 115	890	<ul style="list-style-type: none"> • sehr guter Schutz gegen Verschleiß und Korrosion 	<ul style="list-style-type: none"> • allgemeiner Maschinenbau • hohe Lasten
SNR LUB HIGH SPEED+	Esther, SHC / Lithium, Kalzium	2	-	25	900	<ul style="list-style-type: none"> • sehr gutes Haftvermögen • sehr gute Wasserbeständigkeit 	<ul style="list-style-type: none"> • hohe Geschwindigkeiten • Tieftemperatur
SNR LUB HIGH TEMP	Halbsynthetisches Öl / Polyharnstoff	2	265...295	160	900	<ul style="list-style-type: none"> • hohe Temperaturbeständigkeit • guter Korrosionsschutz • hohe Oxydationsbeständigkeit 	<ul style="list-style-type: none"> • Hochtemperaturbereich
SNR LUB FOOD	Paraffin-Mineralöl, PAO / Aluminiumkomplex	2	265...295	195	920	<ul style="list-style-type: none"> • guter Korrosionsschutz • sehr gutes Haftvermögen • hohe Wasserbeständigkeit • NSF H1 registriert* 	<ul style="list-style-type: none"> • Lebensmittelindustrie
Microlobe GL261	Mineralöl/Lithium-Spezial-Kalziumseife	1	310...340	280	890	<ul style="list-style-type: none"> • guter Verschleißschutz besonders druckfeste Additive gegen Tribokorrosion 	<ul style="list-style-type: none"> • Maschinenbau • hohe Lasten • Kurzhubanwendungen • Vibrationen
Klübersynth BEM34-32	synthetisches KW-Öl/ Spezial- Kalziumseife	2	265...295	ca. 30	890	<ul style="list-style-type: none"> • besonders druckfest • guter Verschleißschutz • gute Alterungsbeständigkeit • hohe Wasserbeständigkeit • niedriges Anlaufmoment 	<ul style="list-style-type: none"> • Reinraumanwendungen
Klübersynth UH1 14-151	synthetisches KW-Öl/ Esteröl/ Aluminium-Komplexseife	1	310...340	ca.150	920	<ul style="list-style-type: none"> • guter Korrosionsschutz, gute Alterungsbeständigkeit, hohe Wasserbeständigkeit, NSF H1 registriert* 	<ul style="list-style-type: none"> • Lebensmittelindustrie • Pharmaindustrie

* Dieser Schmierstoff ist als H1-Produkt registriert, d.h. er wurde für den gelegentlichen, technisch unvermeidbaren Kontakt mit Lebensmitteln entwickelt. Erfahrungen haben gezeigt, dass der Schmierstoff unter den in der Produktinformation aufgeführten Voraussetzungen auch für entsprechende Anwendungen in der pharmazeutischen und kosmetischen Industrie verwendet werden kann. Es liegen jedoch keine spezifischen Testergebnisse z.B. zur Biokompatibilität vor, wie sie unter Umständen für Anwendungen im pharmazeutischen Bereich gefordert werden. Daher sollten vor Anwendung in diesem Bereich vom Anlagenhersteller und -betreiber entsprechende Risikoanalysen durchgeführt werden. Bei Bedarf sind Maßnahmen zum Ausschluss von gesundheitlicher Gefährdung und Verletzungen zu treffen.
(Quelle: Klüber Lubrication)

Laufrollenführungen

Die gehärteten Stahlwellen und die Laufrollen der Laufrollenführungen sind unter normalen Bedingungen ölgeschmiert. Die Schmieröle haben der Spezifikation ISO- VG 460 zu entsprechen. Als Standardöl verwendet NTN-SNR Shell Omala 460. Tabelle 4.2 enthält eine Übersicht der von NTN-SNR verwendeten Schmieröle für Laufrollenführungen.

Tabelle 4.2 __ Schmieröle für Laufrollenführung

Bezeichnung	Ölart	kinematische Viskosität DIN51562 bei 40°C [mm²/s]	Dichte [g/cm³]	Temperaturbereich [°C]	Eigenschaften	Einsatzbereich
Shell Omala 460	Mineralöle und Additive.	460	904	-10...+90°C	<ul style="list-style-type: none"> • gute Alterungsbeständigkeit • gute Temperaturstabilität • guter Korrosionsschutz 	allgemeiner Maschinenbau
Klüberoil 4 UH1-460N	Polyalphaole-film	460	860	-30...+120°C	<ul style="list-style-type: none"> • gute Alterungsbeständigkeit • guter Verschleißschutz • NSF H1 registriert* 	Pharmaindustrie Lebensmittelindustrie

Trapezgewindetriebe

Für Trapezgewindetriebe können die gleichen Schmierstoffe wie für Linearführungen und Kugelgewindetriebe verwendet werden. Auch Fette mit Festschmierstoffanteil (z.B. Graphit oder MoS2) können bei den Baureihen AXS, AXF und AXLT verwendet werden. Das Eindringen dieser Fette in die Führungswagen ist zu verhindern.

Zahnstangenantrieb

Der Zahnstangenantrieb wird mit einem Permanentschmiersystem in Kombination mit einem Filzzahnrad optimal mit Schmierstoff versorgt. Das System ist mit dem Schmierfett SNR LUB HEAVY DUTY befüllt. Es können auch Sonderausführungen mit abweichenden Schmierstoffen Verwendung finden

3.4 Schmiermethoden

SNR - Linearachsen können mittels Handfettpresse, automatischen Schmierstoffspendern oder Zentralschmierung mit Schmierstoff versorgt werden.

3.4.1 Manuelle Fettpresse

Bei Einsatz von Handfettpressen (Bild 4.1) werden die Führungs- und Antriebsselemente der Linearachsen über die montierten Schmiernippel nachgefettet.



Bild 4.1 ____ SNR – Handfettpresse

Experts
& Tools

3.4.2. Automatische elektromechanische Schmiervorrichtung DRIVE BOOSTER

Eine automatische Befüllung sichert eine dauerhafte und regelmäßige Schmierung der Antriebs Elemente der Linearachsen. Automatische elektromechanische Schmiervorrichtungen sind bei SNR - Linearachsen ausschließlich für die Schmierung der Zahnstangen geeignet und vorgesehen. Zum Einsatz kommen hier Schmiervorrichtungen des Typs DRIVE BOOSTER 120 (Bild 4.2). Die Schmiervorrichtungen können mit unterschiedlichen Schmierfett- oder Ölsorten geliefert werden. Zur Auswahl stehen hier neben dem Standardfett SNR LUB HEAVY DUTY das Fett SNR LUB FOOD sowie das Öl SNR FOOD CHAIN OIL.

Experts
& Tools



Bild 4.2 _____ Automatischer Schmierstoffspender DRIVE BOOSTER 120

Auf Anfrage kann die automatische elektromechanische Schmiervorrichtung DRIVE BOOSTER auch mit den Füllmengen 60 cm³ und 250 cm³ geliefert werden.

Für weitere Informationen stehen Ihnen unsere NTN-SNR Anwendungsingenieure zur Verfügung.

3.4.3. Zentralschmierungen

SNR - Linearachsen können auf Anfrage mit einem Anschluss für eine Zentralschmieranlage geliefert werden. Ein geeignetes Zentralschmier system ist der CONTROL BOOSTER (Bild 4.3). Der CONTROL BOOSTER besitzt sechs Anschlüsse für Schmierleitungen, die einzeln parametrisiert werden können, und kann wahlweise mit 250 cm³ und 500 cm³ Schmierstoffvolumen in der CONTROL REFILL Einheit ausgerüstet sein. Die CONTROL REFILL Einheit ist nach Entleerung auswechselbar oder werksseitig nachfüllbar.

Experts
& Tools



Bild 4.3 _____ CONTROL BOOSTER

Für weitere Informationen stehen Ihnen unsere NTN-SNR Anwendungsingenieure zur Verfügung.

3.5 Schmierstellen

In Abhängigkeit von der Baureihe besitzen SNR – Linearachsen eine unterschiedliche Anzahl von Schmierstellen in unterschiedlichen Positionen.

Baureihe AXC / AXF

Die Linearachsen der Baureihen AXC und AXF sind beidseitig mit Schmiernippeln ausgerüstet, um eine bestmögliche Zugänglichkeit zu gewährleisten. Das bedeutet, dass pro Schmierintervall die in Kapitel 4.6 angegebenen Mengen nur an einer Seite der Achse in die entsprechenden Schmiernippel eingebracht werden dürfen. Die Schmierstellen (Bild 4.4) sind mit „F“ für die Linear- oder Rollenführung und mit „S“ für die Spindel gekennzeichnet. Als Schmiernippel sind je nach Baugröße Trichter- oder Kegelschmiernippel montiert. Bei Zahnriemenachsen entfällt die Schmierstelle „S“ und deren Kennzeichnung.

Bei Achsen der Baureihe AXF mit dem Führungssystem P und der Antriebsart Z oder GN sind Führungssystem und Antrieb wartungsfrei und sie besitzen keinen Schmieranschluss.

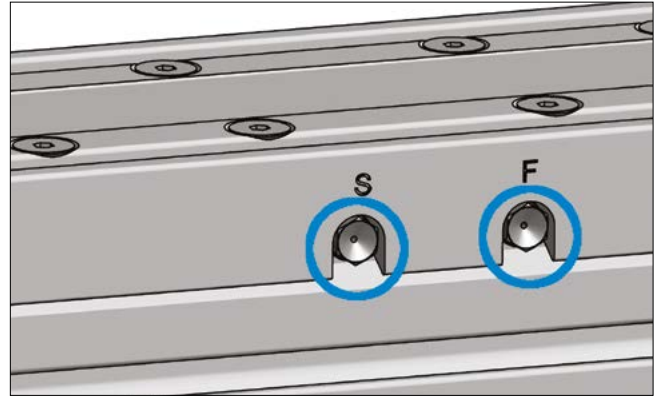


Bild 4.4 _____ Schmierstellen bei AXC / AXF

Baureihe AXDL

Linearachsen der Baureihe AXDL sind an beiden Stirnseiten der Tischplatte mit Schmiernippeln ausgerüstet, um bestmögliche Zugänglichkeit zu gewährleisten. Das bedeutet, dass pro Schmierintervall die in Kapitel 4.6 angegebenen Mengen nur an einer Stirnseite der Achse in die entsprechenden Schmiernippel eingebracht werden dürfen. Die Schmierstellen (Bild 4.5) sind mit „F“ für die Linear- oder Rollenführung und mit „S“ für die Spindel und Linear- oder Rollenführung auf der anderen Seite gekennzeichnet. Als Schmiernippel sind Trichterschmiernippel montiert. Bei Zahnriemenachsen entfällt die Kennzeichnung der Schmierstellen.

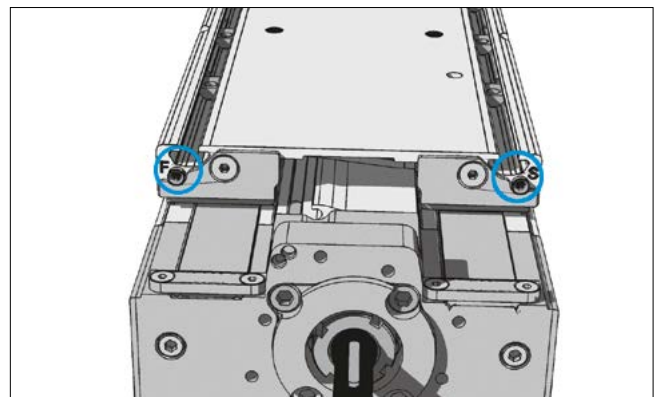


Bild 4.5 _____ Schmierstellen bei AXDL

Baureihe AXBG

Linearachsen der Baureihe AXBG besitzen pro Führungswagen einen Schmiernippel (Bild 4.6). Über diesen Schmiernippel wird das Führungssystem mit Schmierstoff versorgt. Zur Nachschmierung des Kugelgewindetriebs ist der Schmierstoff direkt auf die Spindel aufzutragen. Die Schmierstoffmengen sind in Kapitel 4.6 angegeben. Bei einem Führungswagen ist der Schmiernippel standardmäßig auf der Loslagerseite montiert, kann aber auch auf die Festlagerseite getauscht werden. Bei zwei Führungswagen sind die Schmiernippel jeweils lagerseitig angeordnet. Als Schmiernippel sind je nach Baugröße Kugel- oder Kegelschmiernippel montiert.

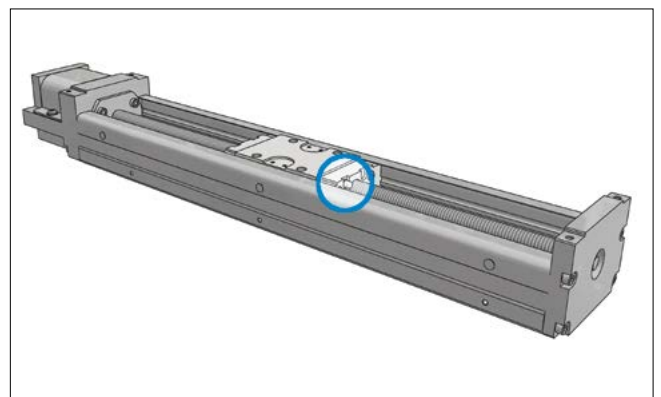


Bild 4.6 _____ Schmierstellen bei AXBG

Baureihe AXLT

Die Linearachsen der Baureihe AXLT besitzen für jeden Führungswagen und für den Spindeltrieb separate Schmieranschlüsse. Diese sind auf beiden Seiten der Tischplatte angeordnet (Bild 4.7). Pro Schmierintervall sind die in Kapitel 4.6 angegebenen Mengen in jeden der Führungswagen einzeln einzubringen.

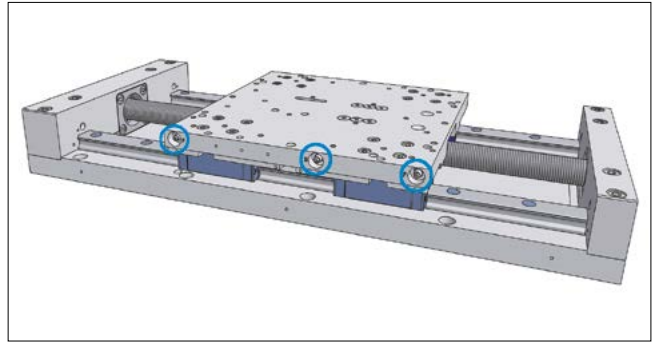


Bild 4.7 _____ Schmierstellen bei AXLT

Baureihe AXS (Hub- und Portalachsen)

Bei Hub- und Portalachsen der Baureihen AXS sind pro Schmierintervall die in Kapitel 4.6 angegebenen Mengen in jeden der vier Führungswagen (Bild 4.8) einzeln einzubringen. Bei Achsen mit Zahnstangenantrieb wird die Zahnstange über einen automatischen Schmierstoffgeber versorgt, der bei Inbetriebnahme aktiviert werden muss. Bei Mehrachssystemen können die Schmierstellen der Hub- und Portalachse an einer gut zugänglichen Stelle zentral zusammen geführt sein (Bild 4.9).

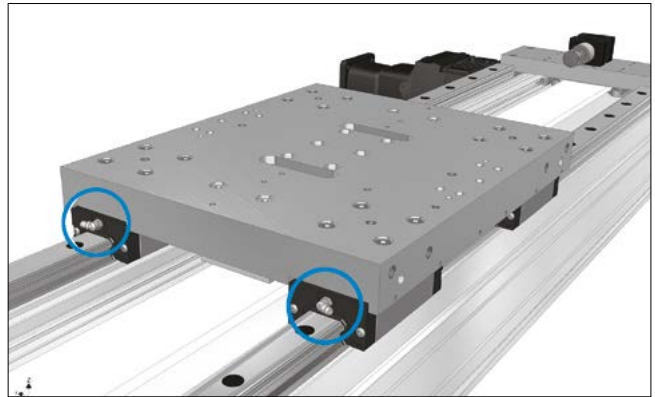


Bild 4.8 _____ Schmierstellen bei AXS Hub- und Portalachsen

Baureihe AXS (Teleskopachsen)

Bei AXS - Teleskopachsen (Bild 4.9) sind die einzelnen Führungsebenen getrennt zu betrachten. In der ersten Führungsebene sind pro Schmierintervall die in Kapitel 4.6 angegebenen Mengen in jeden der vier Führungswagen einzeln einzubringen. In der zweiten Führungsebene sind die in der Wartungsanleitung angegebenen Mengen nur auf einer Tischseite in die beiden vorhandenen Schmierstellen einzubringen. Ausnahme ist hier die AXS280T, bei der auch in der zweiten Führungsebene alle vier Führungswagen einzeln nachzuschmieren sind. Der Zahnstangenantrieb wird über einen automatischen Schmierstoffgeber versorgt, der bei Inbetriebnahme aktiviert werden muss.

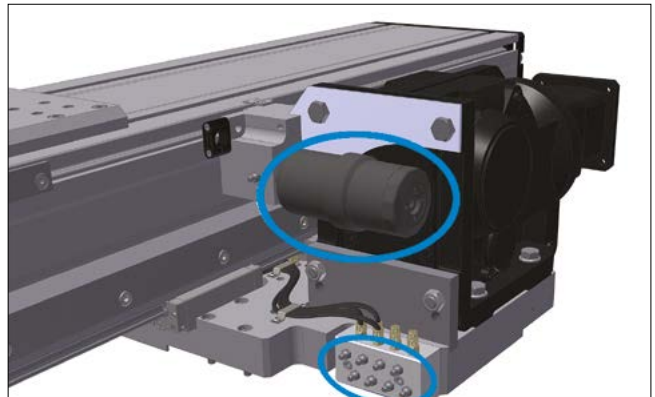


Bild 4.9 _____ Schmierstellen und automatischer Schmierstoffgeber bei AXS Teleskopachsen

Baureihe AXLM

Die Linearachsen der Baureihen AXLM besitzen für jeden Führungswagen separate Schmieranschlüsse. Diese befinden sich stirnseitig oder seitlich in den Endkappen der Führungswagen (Bild 4.10). Pro Schmierintervall sind die in Kapitel 4.6 angegebenen Mengen in jeden der vier Führungswagen und in die Spindel einzubringen.

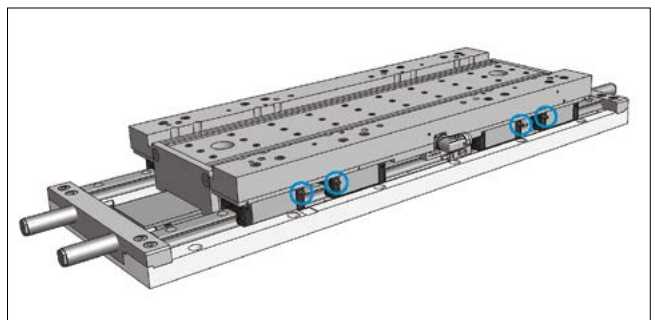


Bild 4.10 _____ Schmierstellen bei AXLM

3.6 Schmiermengen

Linearführungen, Laufrollenführungen, Kugelgewindtriebe und Trapezgewindtriebe benötigen jeweils unterschiedliche Schmierstoffe (Kapitel 3.3) und Schmierstoffmengen.

Die nachfolgenden Tabellen enthalten die Angaben zu den entsprechenden Schmierstoffmengen bei Schmierung mit dem Standardschmierstoff zur Nachschmierung der jeweiligen Führungs- und Antriebselemente.

Die Nachschmiermengen für Linearachsen mit Linearführungen sind in Tabelle 4.3 zusammengefasst.

Führungssystem der Achsen der Baureihen **AXC, AXF, AXDL, AXLT, AXLM** und **AXS** mit Linearführungen (Führungssystem A, B, C, D, E, G, R, S, T und U)

Tabelle 4.3 __ Schmiermengen der Linearführungen (Schmierstellen ohne Kennzeichnung bzw. „F“)

Type		Schmiermenge pro Schmierstelle [cm ³]				
		A	B	C	D, R, S, T, U	E, G
AXC						
AXC40			0,05			
AXC60			0,6			
AXC80		0,6	0,8			
AXC100			1,2		0,8	
AXC120			3,2	3,6		
AXF						
AXF100			1,2		0,8	
AXDL						
AXDL110					0,2	0,6
AXDL160					0,8	
AXDL240					2,4	2,8
AXLT						
AXLT155					0,3	0,3
AXLT225					0,4	0,4
AXLT325					1,6	1,6
AXLT455					2,0	
AXLM						
AXLM155					0,2	0,3
AXLM225					0,4	0,5
AXLM325					1,6	1,8
AXS (außer Teleskopachsen)						
AXS120			1,6	1,6		
AXS200					1,6	1,6
AXS230					1,6	1,6
AXS280					2,3	2,3
AXS300			2,8			
AXS460					2,3	2,3
AXS500					2,8	2,8
AXS Teleskopachsen						
AXS110TA	Führungsebene 1				0,3	
	Führungsebene 2				0,4	
AXS120T_	Führungsebene 1				1,2	
	Führungsebene 2				3,2	
AXS200T_	Führungsebene 1				0,4	
	Führungsebene 2				1,6	
AXS240T_	Führungsebene 1				1,6	1,8
	Führungsebene 2				4,8	4,8
AXS280TH	Führungsebene 1				2,3	
	Führungsebene 2				6,4	
AXS280TV	Führungsebene 1				1,8	
	Führungsebene 2				4,8	

Führungssystem der Achsen der Baureihen AXC und AXDL mit Laufrollenführungen (Führungssystem L und M)

Bei Linearachsen der Baureihe AXC erhöht sich die Schmiermenge um den in der Tabelle 4.4 angegebenen Faktor bei gekippter Einbaulage. In Überkopposition ist dieser Faktor nur bei der ersten Nachschmierung anzuwenden.

Bei Achsen der Baureihe AXDL ist der Faktor nur bei der ersten Nachschmierung in gekippter und Überkopfeinbaulage anzuwenden.

Tabelle 4.4 __ Schmiermengen der Laufrollenführungen (Schmierstellen ohne Kennzeichnung bzw. „F“)

Typ	Faktor	Schmiermenge pro Schmierstelle [cm ³]	
		L	M
AXC			
AXC40	3	0,4	0,4
AXC60	5	0,4	0,4
AXC80	2	2,0	2,0
AXC100	3	2,0	2,0
AXC120	3	2,0	2,0
AXDL			
AXDL110	3	1,0	1,0
AXDL160	4	1,5	1,5
AXDL240	5	2,8	2,8

Führungssystem der Achsen der Baureihen AXF mit Polymer - Laufrollenführungen (Führungssystem P)

Das Führungssystem dieser Linearachsen ist wartungsfrei.

Führungssystem und Kugelgewindtrieb der Achsen der Baureihen AXBG

Bei Linearachsen der Baureihe AXBG erfolgt die Nachschmierung des das Führungssystem über einen Schmiernippel. Die Nachschmierung ist an jedem Führungswagen vorzunehmen.

Zur Nachschmierung des Kugelgewindetriebs ist der Schmierstoff direkt auf die Spindel über die gesamte Länge aufzutragen.

Tabelle 4.5 __ Schmiermengen der Linearachsen AXBG

Typ	Schmiermenge pro Schmierstelle [cm ³]				Schmiermenge Kugelgewindtrieb [cm ³ /100mm]
	A	B	C	D	
AXBG					
AXBG15	0,5	0,5			0,5
AXBG20	0,5	0,5			0,5
AXBG26	1,0	1,0			1,0
AXBG33	2,0	2,0	1,5	1,5	2,0
AXBG46	5,0	5,0	3,5	3,5	3,0
AXBG55	7,0	7,0			4,0

Kugelgewindetriebe der Achsen der Baureihen AXC, AXF, AXDL und AXLT (Antriebsart SN und SV)

Die notwendige Schmiermenge der Kugelgewindetriebe ist von Durchmesser und Steigung abhängig.

Tabelle 4.6 __ Schmiermengen der Kugelgewindetriebe (Schmierstellen mit Kennzeichnung „S“)

Typ	Schmiermenge pro Schmierstelle [cm ³]							
	S_05	S_10	S_16	S_20	S_25	S_32	S_40	S_50
AXC								
AXC40	1,0	1,5						
AXC60	1,5	1,7	2,0					
AXC80	2,0			3,0				
AXC100	2,5	3,0			4,0			
AXC120	3,5	4,0		5,0		6,0		
AXF								
AXF100	2,5	3,0			4,0			
AXDL								
AXDL110	2,0	2,2	2,5					
AXDL160	5,0	6,0		6,0				6,5
AXDL240	6,5	7,0		8,0		9,0		
AXLT								
AXLT115	2,0			3,0				
AXLT225	2,5	3,0			4,0			
AXLT325	3,5	4,0		5,0		6,0		
AXLT455	4,0	5,0		6,0			14,0	

Zahnstangen der Achsen der Baureihen AXS (Antriebsart M, TH und TV)

Der Zahnstangenantrieb wird mit einem automatischen Schmierstoffgeber in Kombination mit einem Filzzahnrad optimal mit Schmierstoff versorgt. Eine zusätzliche Wartung ist nicht notwendig.

Gleitspindeln der Achsen der Baureihen AXF (Antriebsart GN)

Die Gleitspindeln dieser Linearachsen sind wartungsfrei.

Trapezgewindetrieb der Achsen der Baureihen AXC, AXF, AXDL und AXLT (Antriebsart TN und TV)

Trapezgewindetriebe sind offene Antriebseinheiten ohne Dichtungselemente, die den Schmierstoff im System zurückhalten. Die notwendigen Schmiermengen der Trapezgewindetriebe sind von Durchmesser und Länge abhängig.

Tabelle 4.7 __ Schmiermengen der Trapezgewindetriebe (Schmierstellen mit Kennzeichnung „S“)

Typ	Schmiermenge pro Schmierstelle [cm ³]							
	T_03	T_04	T_05	T_06	T_07	T_08	T_10	T_12
AXC								
AXC40	2,0							
AXC60		2,5				2,5		
AXC80		3,0				3,0		
AXC100			4,0				4,0	
AXC120				5,5				5,5
AXF								
AXF100			4,0				4,0	
AXDL								
AXDL110		2,5				2,5		
AXDL160			4,0				4,0	
AXDL240				5,5				5,5
AXLT								
AXLT115		3,0				3,0		
AXLT225			4,0				4,0	
AXLT325				5,5				5,5
AXLT455					6,0			

3.7 Schmierintervalle

Lieferzustand

SNR - Linearachsen besitzen bei Lieferung bereits eine Erstbefettung. Nach der Montage sollten die Linearachsen an den in der Betriebsanleitung beschriebenen Stellen mit den angegebenen Mengen abgeschmiert werden. Zur optimalen Fettverteilung im System sollte dieser Vorgang in zwei bis drei Teilschritten mit zwischenzeitlicher Bewegung über einen längeren Hub erfolgen.

Bei Wiederinbetriebnahme der Anlage nach längerer Stilllegung ist eine Nachbefettung mit der doppelten, in Kapitel 4.6 angegebenen Menge, vorzunehmen.

Soll während des Betriebes einer Anlage das Fabrikat des Schmierstoffs gewechselt werden, ist unbedingt die Mischbarkeit der Schmierstoffe zu prüfen.

Einflussfaktoren

Die Nachschmierintervalle werden von vielen Faktoren (Kapitel 3.2) beeinflusst. Den größten Einfluss haben in der Regel die Belastung und die vorhandenen Verschmutzungen. Die hier gemachten Angaben sind nur Richtwerte. Die genauen Nachschmierintervalle können nur nach Ermittlung unter realen Einsatzbedingungen und Beurteilung über einen ausreichend langen Zeitraum für eine konkrete Anwendung festgelegt werden.

Spezielle Einsatzbedingungen

Für besondere Anwendungen (z.B. Lebensmittelindustrie) können andere Schmierstoffe vorgeschrieben sein.

Linearführungen der Baureihen AXC, AXF, AXDL, AXLT, AXLM und AXS

Die Nachschmierintervalle der Linearführungen sind in dem Diagramm in Bild 4.11 in Abhängigkeit von der Verschmutzung dargestellt. Bei Linearachsen mit innenliegenden Führungssystemen sind die Nachschmierintervalle von einem um eine Stufe niedrigeren Verschmutzungsgrad anzuwenden. In Tabelle 4.8 sind für die unterschiedlichen Verschmutzungsgrade die entsprechenden Schutzoptionen zusammengefasst.

Tabelle 4.8 __ Verschmutzungsgrad von Linearachsen

Verschmutzungsgrad	Anwendungsbereich	Empfohlene Schutzoptionen
Ohne Verschmutzungen	- Reinraum - Labor - sehr saubere Arbeitsbereiche	Abdeckband
Leichte Verschmutzungen	- Montagebereiche mit geringem Staub- und Schmutzanfall	keine
Mittlere Verschmutzungen	- Montagebereiche mit erhöhtem Staub- und Schmutzanfall - Produktionshallen	- Abdeckband - Faltenbalg - Abdeckblech
Starke Verschmutzungen	- Produktionsbereiche mit massiver Einwirkung von Staub, Spänen, Kühlschmierstoffen...	- Abdeckband - Sperrluftanschluss - Seitendichtungen - Filzabstreifer

Da die Schmierstoffhersteller keine allgemeine Gebrauchsdauer für ihre Produkte garantieren, empfehlen wir bei geringen Laufleistungen ein Nachschmierintervall von mindestens einmal jährlich.

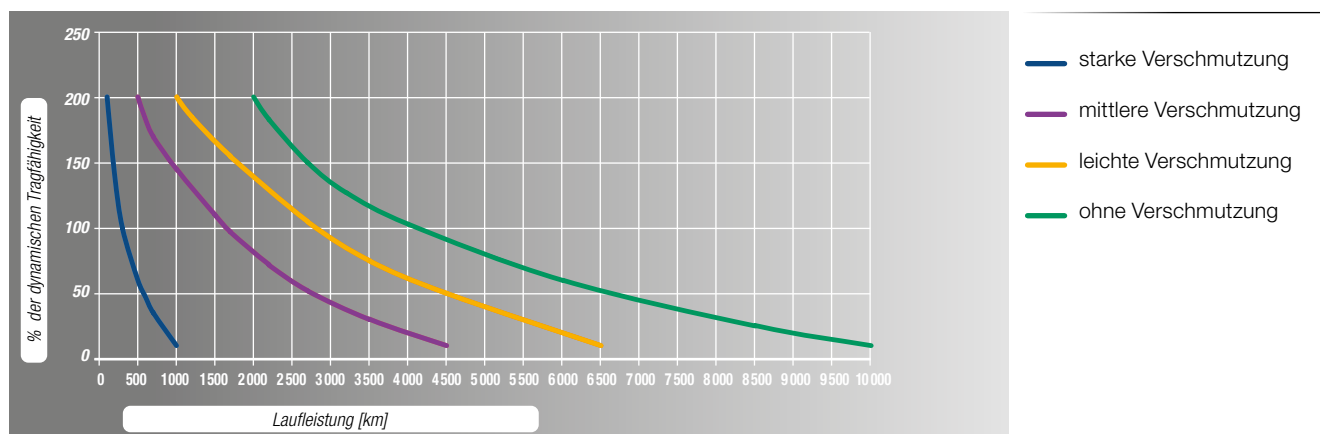


Bild 4.11 __ Nachschmierintervalle von Linearführungen

Längere Nachschmierintervalle sind ggf. nach Rücksprache mit dem Schmierstoffhersteller für einen definierten Anwendungsfall möglich. Zur Nachschmierung sind Lithiumseifenfette KP2-K nach DIN 51825 und der NLGI – Klasse 2 auf Mineralölbasis zu verwenden, andernfalls muss die Verträglichkeit überprüft werden.

Fette mit Festschmierstoffanteil (z.B. Graphit oder MoS₂) dürfen nicht verwendet werden.

Laufrollenführungen der Baureihen AXC und AXDL

Wir empfehlen ein Nachschmierintervall von 5.000 km oder einmal jährlich. Zur Nachschmierung ist ein Öl mit einer kinematischen Viskosität bei 40°C nach DIN51562 von 460 mm²/s zu verwenden.

Kugelgewindetriebe der Baureihen AXC, AXF, AXDL und AXLT

Kugelgewindetriebe haben den Vorteil, erst nach langen Wegen nachgeschmiert werden zu müssen. Das bedeutet, dass eine Nachschmieranlage häufig entfallen kann.

Um ein möglichst langes Nachschmierintervall zu erreichen, sind Fette nach DIN 51825 K2K und bei höheren Lasten KP2K der NLGI- Klasse 2 nach DIN 51818 zu bevorzugen.

Fette mit Festschmierstoffanteil (z.B. Graphit oder MoS₂) dürfen nicht verwendet werden.

Da aber die Schmierstoffhersteller keine allgemeine Gebrauchsdauer für ihre Produkte garantieren, empfehlen wir die in Tabelle 4.9 dargestellten Nachschmierintervalle in Abhängigkeit von der Spindelsteigung oder ein jährliches Nachschmieren.

Die Empfehlungen gelten unter folgenden Einsatzbedingungen:

- Belastung ≤ 0,2 C
- Mindestdrehzahl 100 min⁻¹
- Dauertemperatur an der Mutter des Kugelgewindetriebs bis 60°C
- Maximaltemperatur an der Mutter des Kugelgewindetriebs 80°C

Tabelle 4.9 __ Schmierintervalle der Kugelgewindetriebe

Steigung [mm]	5	10	16	20	25	32	40	50
Nachschmierintervall [km]	250	500	800	1000	1250	1600	2000	2000

Trapezgewindetriebe der Baureihen AXC, AXF, AXDL und AXLT

Für trapezgewindetriebe empfehlen wir Nachschmierintervalle von 10...20 km. Zur Nachschmierung sind Lithiumseifenfette KP2-K nach DIN 51825 und der NLGI – Klasse 2 auf Mineralölbasis zu verwenden.

Fette mit Festschmierstoffanteil (z.B. Graphit oder MoS₂) dürfen für Trapezgewindetriebe verwendet werden.

Zahnstangen der Baureihe AXS

Der Zahnstangenantrieb wird mit einem automatischen Schmierstoffgeber DRIVE BOOSTER 120 in Kombination mit einem Filzzahnrad optimal mit Schmierstoff versorgt. Das System ist mit dem Schmierfett SNR LUB HAVY DUTY befüllt. Ab Werk ist eine Entleerungszeit von 12 Monaten eingestellt. Nur wenn die in Tabelle 4.10 angegebene Laufleistung in einem Jahr überschritten wird, ist eine Entleerungszeit von 6 Monaten einzustellen. Nach Ablauf dieser Zeit sind der Schmiermitteltank und die Batterie auszutauschen.

Als Sonderausführung können auch an die Maschinensteuerung angeschlossene Schmiersysteme, abweichende Schmierstoffe oder Behältervolumen Verwendung finden. In diesen Fällen ist der Schmiermitteltank nach Muster oder Angabe der Seriennummer sowie das Batterieset (entfällt bei extern angesteuerten Systemen) zu spezifizieren.

Für die Festlegung der Wartungsintervalle stehen Ihnen unsere NTN-SNR - Anwendungsingenieure zur Verfügung.

Tabelle 4.10 _ Schmierintervalle der Zahnstangen

Typ	Führungssystem	Modul	km / 100cm ³
AXS120TH	D	2	80 000
AXS120TV	D	2	80 000
AXS120M_	B, C	2	40 000
AXS200ME	D, E, G	3	32 000
AXS200MP	D, R	2	40 000
AXS200TH	D	2	80 000
AXS200TV	D	in Vorbereitung	
AXS230MB	D, E, G	4	24 000
AXS240TH	D, E	3	64 000
AXS280MB	D	5	24 000
AXS280MP	D, R, S, T, U	2	40 000
AXS280TH	D	3	64 000
AXS280TV	D, E, G, H	4	48 000
AXS300MP	B	3	32 000
AXS460MP	R, S, T	3	32 000
AXS500MP	R, T	3	32 000

3.8 Austausch Bürstenabstreifer

Linearachsen der Baureihe AXC können mit Bürstenabstreifern ausgerüstet sein. Zum Austausch der Bürstenabstreifer die Befestigungsschrauben **1** entfernen, den Bürstenabstreifer **2** austauschen und mit den Befestigungsschrauben **1** wieder befestigen (Bild 4.12).

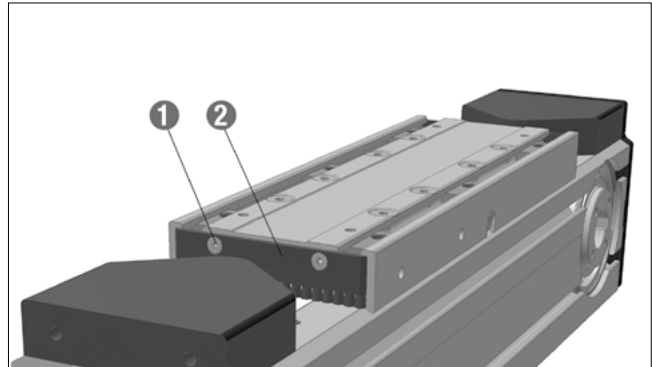


Bild 4.12 ____ Befestigung Bürstenabstreifer

Die Bürstenabstreifer sind in den Verschleißteil-Sets (Kapitel 4.9.3, Tabelle 4.6) der jeweiligen Achsen enthalten.

3.9 Austausch Abdeckband

3.9.1. Austausch Abdeckband bei Linearachsen der Baureihe AXC

Für den Austausch des Abdeckbandes an Linearachsen der Baureihen AXC sind die nachfolgenden Schritte entsprechend Bild 4.13 bis 4.17 einzuhalten:

1. Schrauben **1** demontieren und Tischplatte **2** entfernen (Bild 4.13) (entfällt bei AXC100)
2. Bei Linearachsen mit Spindeltrieb (Bild 4.14) die Schrauben der Bandklemmung **3** und **5** demontieren und die Bleche zur Bandklemmung **4** und **6** entfernen. Bei Linearachsen mit Zahnriemenantrieb (Bild 4.15) die Befestigungsschrauben der Endlagendämpfer **8** demontieren und die Endlagendämpfer **9** entnehmen.
3. Abdeckband **7** entfernen.
4. Bandführungsrolle **10** im Schlittenteil und Andruckrolle in der Tischplatte **11** auf Leichtgängigkeit und Verschleiß überprüfen und gegebenenfalls zu reinigen oder tauschen (Bild 4.16). Bei verschleißbedingtem Austausch des Abdeckbandes empfehlen wir immer auch den Austausch der Bahnführungs- und Andruckrollen (Verschleißteilsets siehe Kapitel 4.10).
5. Neues Abdeckband einsetzen. Das Abdeckband hat einen trapezförmigen Querschnitt. Beim Auflegen des neuen Abdeckbandes ist darauf zu achten, dass sich die breite Fläche unten befindet (Bild 4.17). Unter leichtem Druck mit der Hand oder einem glatten, nicht scharfkantigen Gegenstand rastet das Band in die vorgesehene Nut ein, so dass es bündig zur Profiloberkante abschließt.
6. Zum Befestigen, das Abdeckband leicht spannen und die Schritte 1 und 2 in umgekehrter Reihenfolge ausführen.
7. Bandspannung überprüfen (es darf nicht an der Innenseite der Tischplatte schleifen) und das überstehende Abdeckband abschneiden. Abschließend Abstreifer montieren.

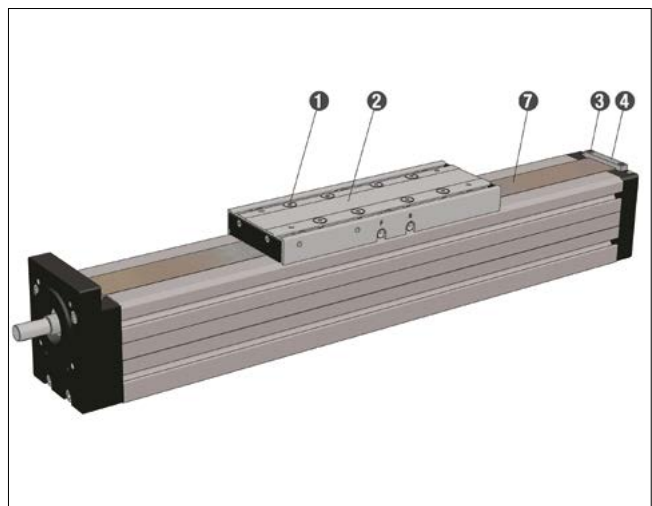


Bild 4.13 ____ Austausch Abdeckband

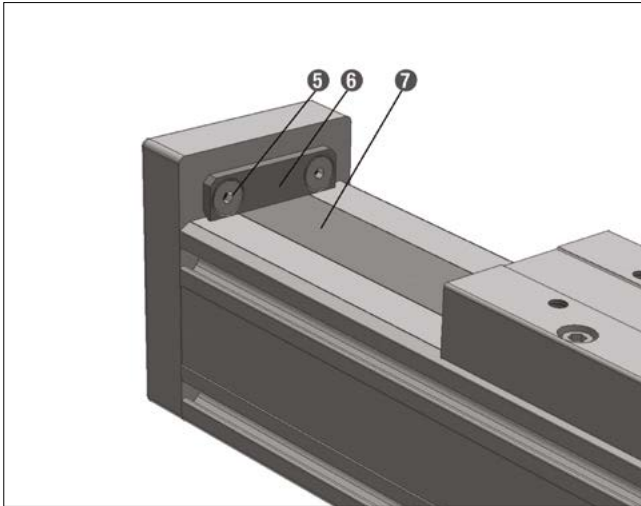


Bild 4.14 ____ Abdeckbandbefestigung Spindelachsen

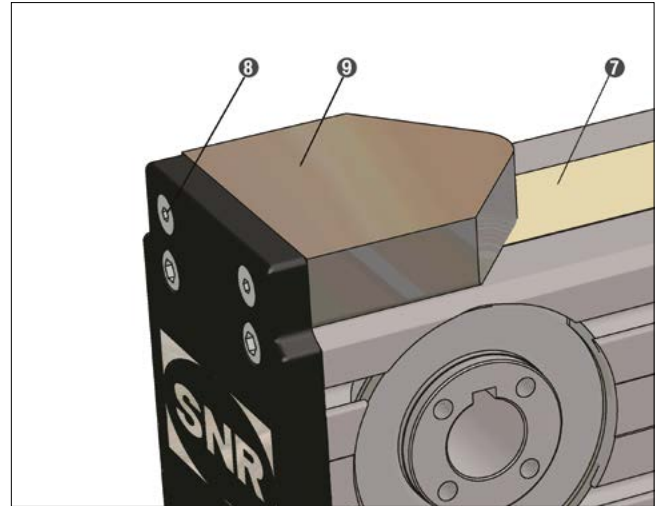


Bild 4.15 ____ Abdeckbandbefestigung Zahnriemenachsen

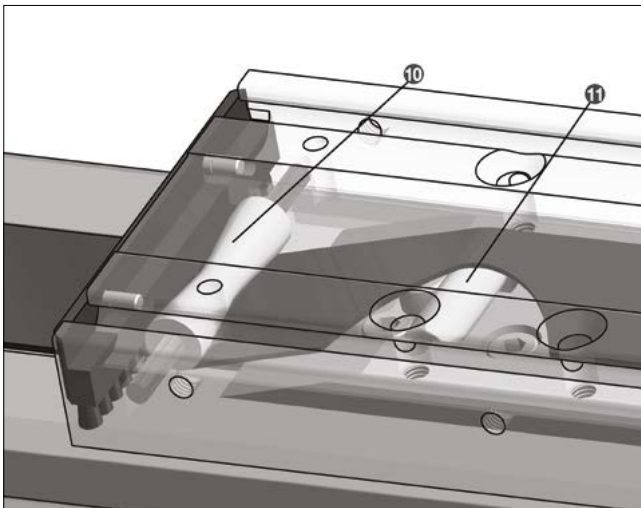


Bild 4.16 ____ Abdeckbandumlenkung

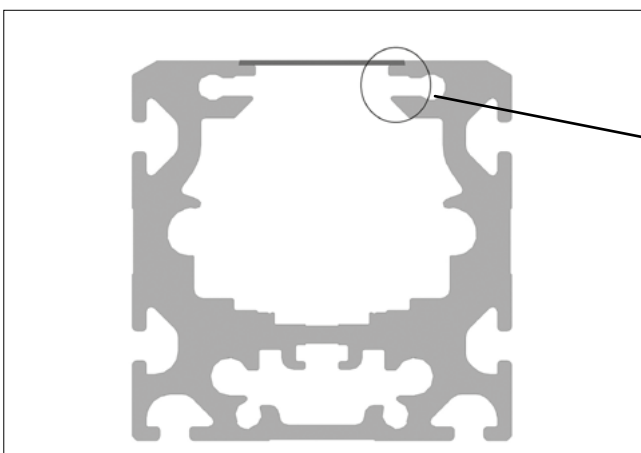


Bild 4.17 ____ Abdeckbandquerschnitt

Zur Ausführung dieser Wartungsarbeiten können entsprechende Verschleißteil – Sets (Kapitel 3.10, Tabelle 4.11) bestellt werden. Die Verschleißteil – Sets enthalten die Bürstenabstreifer inklusive deren Befestigungsschrauben und die Führungs- und Andruckrollen mit deren Wellen.

3.9.2. Austausch Abdeckband bei Linearachsen der Baureihe AXDL

Für den Austausch des Abdeckbandes an Linearachsen der Baureihen AXDL sind die nachfolgenden Schritte entsprechend Bild 4.18 einzuhalten:

1. Schmiernippel ① demontieren. Die Scheibe ② und die Bandumlenkung ③ entfernen.
2. Befestigungsschrauben ④ demontieren und Befestigungsleiste ⑤ entfernen.
3. Abdeckband ⑥ herausziehen und durch ein neues ersetzen.
4. Zum Befestigen, das Abdeckband leicht spannen und die Schritte 1 und 2 in umgekehrter Reihenfolge ausführen. Dabei darf das Abdeckband nicht am Tisch schleifen. Dieses kann durch Inspektionsbohrungen im Grund der Tischnuten überprüft werden (mit Kunststoffstopfen verschlossen).

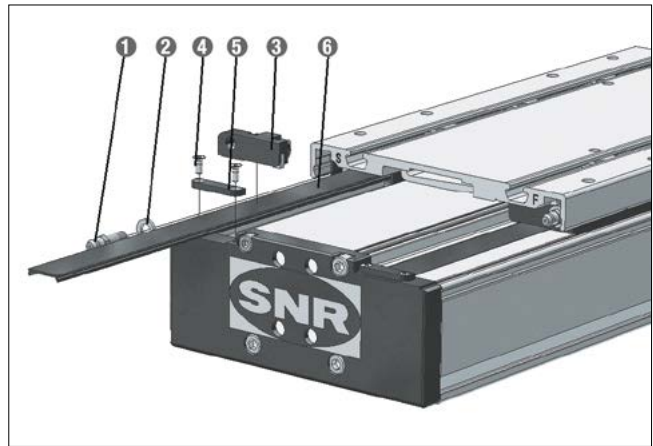


Bild 4.18 ____ Austausch Abdeckband

3.10 Verschleißteil - Sets

Für Linearachsen der Baureihen AXC und AXDL sind Verschleißteil – Sets und Dichtungskits verfügbar. In Tabelle 4.11 sind die Verschleißteil - Sets und die Abdeckbänder inklusive der Ident Nummern zusammengefasst.

Um eine optimale Dichtwirkung zu erzielen, wird das Abdeckband bei Linearachsen der Baureihe AXC (außer AXC100) exakt auf das jeweilige Profil zugeschnitten. Um die exakte Breite des Abdeckbandes zuzuschneiden, ist die Angabe der Seriennummer der Linearachse bei Bestellung notwendig. Die Angabe der Länge des Abdeckbandes erfolgt in Meter. Um das Abdeckband sicher montieren zu können, sollte die bestellte Länge etwa 200 bis 300 mm länger als die Achse sein. Die Abdeckbänder für Linearachsen der Baureihe AXDL und AXC100 sind universell einsetzbar. Die Bestelllänge der Abdeckbänder ist auf volle Meter zu runden.

Tabelle 4.11 _ Verschleißteil – Sets, Dichtungskits und Abdeckbänder

Type	Configuration version	Type code Wear part set	ID - Number	Type code Cover strip	ID - Number
AXC40	A	AXC-SP-40-A-WPS	401040	AX-SP-CST-40-[Breite]-[Länge] ¹	abhängig von der Breite und Länge
	Q, U	AXC-SP-40-Q/U-WPS	461385		
	R	AXC-SP-40-R-WPS	461386		
AXC60	A	AXC-SP-60-A-WPS	258120	AX-SP-CST-60-[Breite]-[Länge] ¹	abhängig von der Breite und Länge
	D	AXC-SP-60-D-WPS	461387		
	Q, U	AXC-SP-60-Q/U-WPS	461388		
	R	AXC-SP-60-R-WPS	461389		
AXC80	A	AXC-SP-80-A-WPS	254152	AX-SP-CST-80-[Breite]-[Länge] ¹	abhängig von der Breite und Länge
	K	AXC-SP-80-K-WPS	461390		
	Q, U	AXC-SP-80-Q/U-WPS	461391		
AXC100	A	AXC-SP-100-A-WPS	461377	AX-SP-CST-100-65-[Länge]	abhängig von der Länge
	D	AXC-SP-100-D-WPS	461379		
	Q, U	AXC-SP-100-Q/U-WPS	461381	auf Anfrage	
	B, M	AXC-SP-100-B/M-WPS	461378		
AXF100	A	AXF-SP-100-A-WPS	461392	AX-SP-CST-100-65-[Länge]	abhängig von der Länge
	Q	AXF-SP-100-Q-WPS	461394		
	R, S	AXF-SP-100-R/S-WPS	461396		
	U	AXF-SP-100-U-WPS	461398	auf Anfrage	
	B, M	AXF-SP-100-B/M-WPS	461393		
AXC120	A	AXC-SP-120-A-WPS	257256	AX-SP-CST-120-[Breite]-[Länge] ¹	abhängig von der Breite und Länge
	K	AXC-SP-120-K-WPS	461382		
	Q, U	AXC-SP-120-Q/U-WPS	461383		
	R	AXC-SP-120-R-WPS	461384		
AXDL110	all	AX-SP-110-A-WPS	268344	AX-SP-CST-U-19-[Länge]	abhängig von der Länge
	D, K	AX-SP-110-KIT-S215	203547		
AXDL160	all	AX-SP-160-A-WPS	268345		
	D, K	AX-SP-160-KIT-S240 ²	202918		
		AX-SP-160-KIT-S280 ³	203039		
AXDL240	all	AX-SP-240-A-WPS	268346		
	D, K	AX-SP-240-KIT-S330 ⁴	203255		
		AX-SP-240-KIT-S500 ⁵	288999		

¹ Angabe der Seriennummer der Linearachse für Zuschnitt des Abdeckbands notwendig

² Tischlänge 240 mm ³ Tischlänge 280 mm

⁴ Tischlänge 330 mm ⁵ Tischlänge 500 mm

More information concerning our NTN-SNR products for linear motion is provided in our catalogues.
Mehr Informationen zu NTN-SNR Produkten aus dem Bereich Linear Motion finden Sie in unseren Katalogen.



NTN-SNR Linear Motion
Linear Guides
Linearführungen



NTN-SNR Linear Motion
Ball bushings
Kugelbuchsen



NTN-SNR Linear Motion
Ball splines
Nutwellenführungen

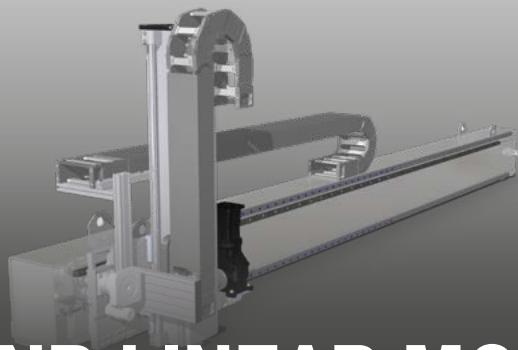


NTN-SNR Linear Motion
Ball screws
Kugelgewindetriebe



NTN-SNR Linear Motion
Linear Axis
Linearachsen





NTN-SNR LINEAR MOTION

OPERATING MANUAL LINEAR AXIS

BETRIEBSANWEISUNG LINEARACHSEN



www.ntn-snr.com/ntn-snr-linear-axis

This document is the exclusive property of NTN-SNR ROULEMENTS. Any total or partial reproduction hereof without the prior consent of NTN-SNR ROULEMENTS is strictly prohibited. Legal action may be brought against anyone breaching the terms of this paragraph.

NTN-SNR ROULEMENTS shall not be held liable for any errors or omissions that may have crept into this document despite the care taken in drafting it. Due to our policy of continuous research and development, we reserve the right to make changes without notice to all or part of the products and specifications mentioned in this document.

© NTN-SNR ROULEMENTS, international copyright 2021.

Das vorliegende Dokument ist das alleinige Eigentum von NTN-SNR ROULEMENTS. Jegliche vollständige oder teilweise Reproduktion ohne vorherige Genehmigung von NTN-SNR ROULEMENTS ist ausdrücklich verboten. Bei einem Verstoß gegen diesen Absatz können Sie strafrechtlich verfolgt werden.

Für Fehler oder Unterlassungen, die sich trotz aller Sorgfalt bei der Erstellung in das Dokument eingeschlichen haben könnten, lehnt NTN-SNR ROULEMENTS jede Haftung ab. Aufgrund einer kontinuierlichen Forschungs- und Entwicklungspolitik behalten wir uns vor, einzelne oder alle der in diesem Dokument dargestellten Produkte und Spezifikationen ohne Vorankündigung zu ändern.

© NTN-SNR ROULEMENTS, Internationales Copyright 2021.